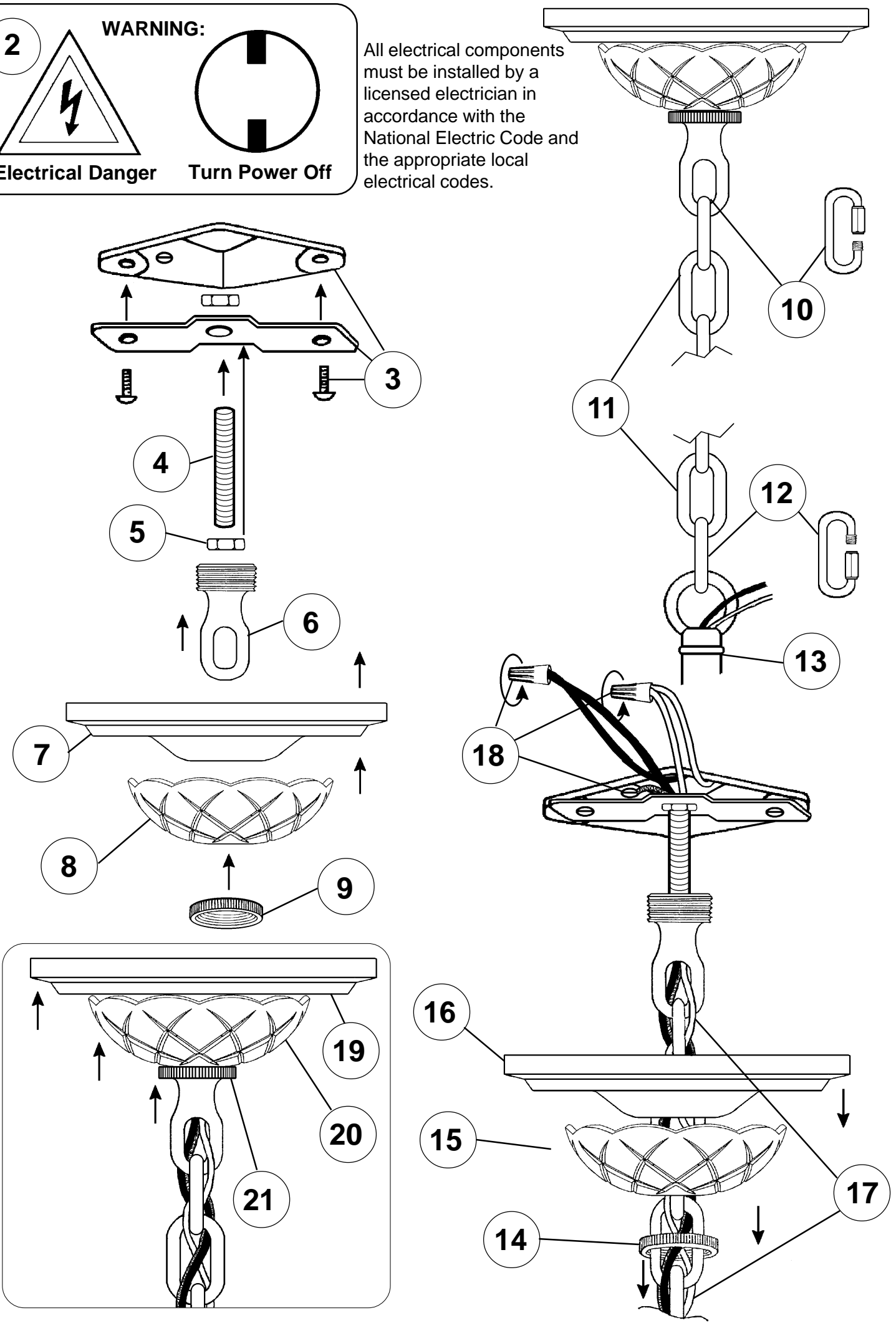


Instructions for electrician
STEPS 2 - 21

2 **WARNING:**

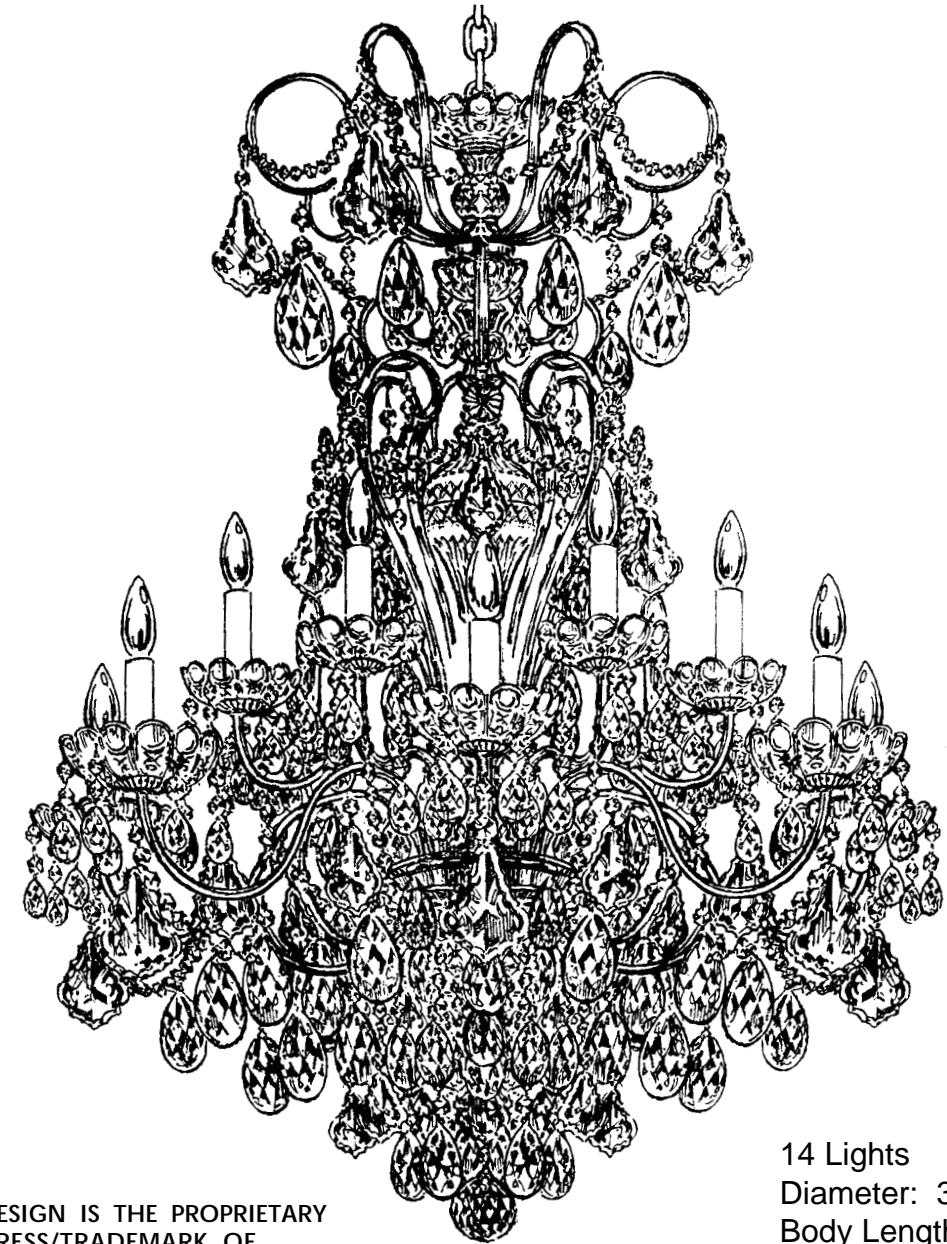
Electrical Danger **Turn Power Off**

All electrical components must be installed by a licensed electrician in accordance with the National Electric Code and the appropriate local electrical codes.



CHANDELIER 3658-___H
(Finish Option)

TRIM DIAGRAM



14 Lights
Diameter: 32"
Body Length: 38-1/2"
Hanging Weight: 40 lbs.

THIS DESIGN IS THE PROPRIETARY TRADE DRESS/TRADEMARK OF SCHONBEK WORLDWIDE LIGHTING INC.

SCHONBEK®

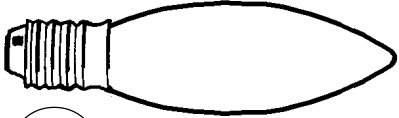
FOLLOW STEPS #1 TO #44 IN ORDER

1 **IMPORTANT**
Please record the following information for future service.

CODE # _____ Four-digit number on outside of carton.
PACKER # _____ See crystal package label.
ORDER # _____ See crystal package label.

SCHONBEK IS A WORLD LEADER IN CHANDELIER DESIGN. PATENTS INCLUDE: #D5,404,285, #D338,278 & #D345,815

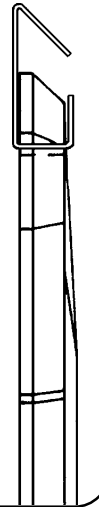
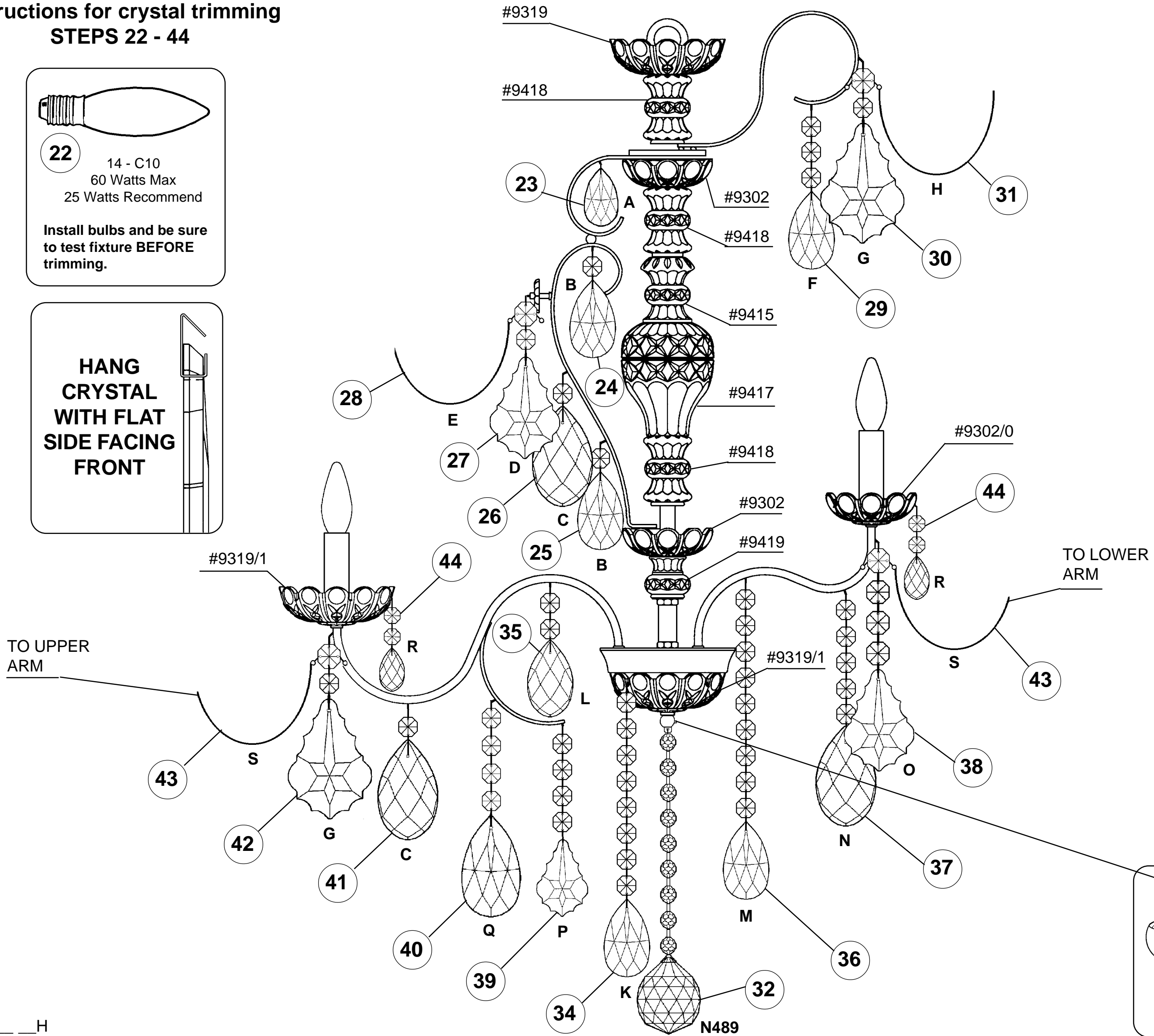
Instructions for crystal trimming
STEPS 22 - 44

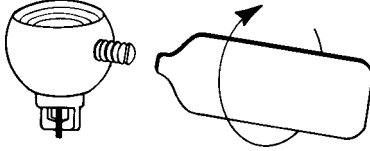
22 14 - C10
 60 Watts Max
 25 Watts Recommend

Install bulbs and be sure to test fixture **BEFORE** trimming.

HANG CRYSTAL WITH FLAT SIDE FACING FRONT

33



Tighten With Tool Provided.