



**SCHONBEK®**

**VESCA VA8305N- \_\_ \_\_ A**



5 Lights  
Diameter: 24"  
Height: 20"  
Hanging Weight: 17lbs.

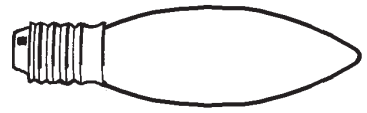
**T**HIS DESIGN IS THE PROPRIETARY  
TRADE DRESS/TRADEMARK OF  
SWAROVSKI LIGHTING, LTD.



**SCHONBEK®**

|                 |  |           |  |  |  |  |  |  |
|-----------------|--|-----------|--|--|--|--|--|--|
|                 |  |           |  |  |  |  |  |  |
| MAX <b>60</b> W |  | 110-120 V |  |  |  |  |  |  |

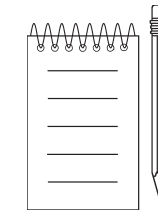
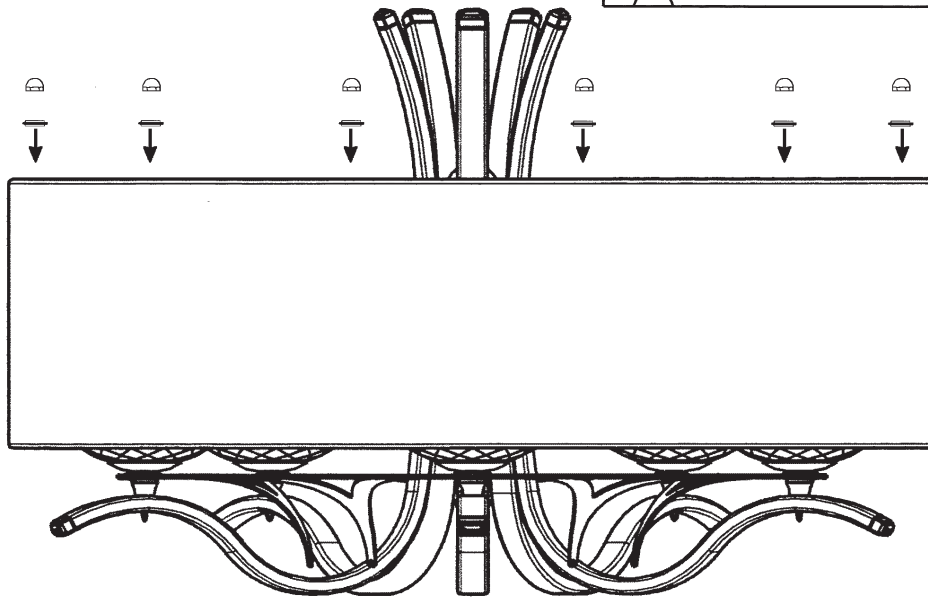
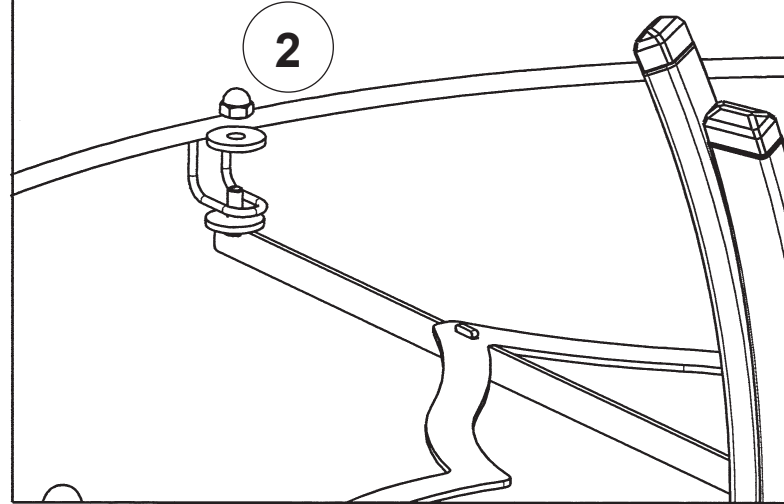
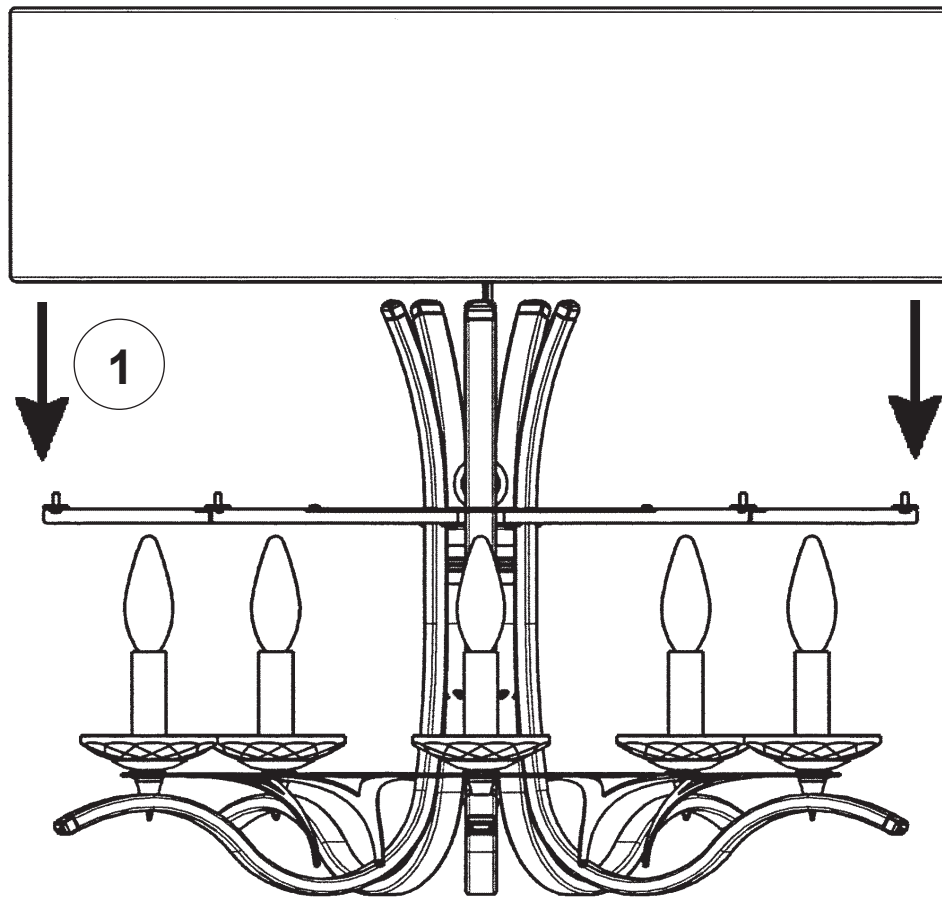
SCHONBEK® is a registered trademark of Swarovski Lighting, LTD., a world leader in chandelier design.  
Pat. D719,294

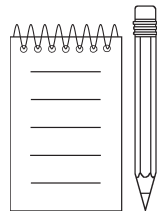


You will need 5 - B10  
25 Watts Recommended  
60 Watts Max

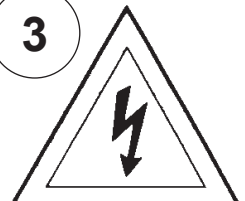
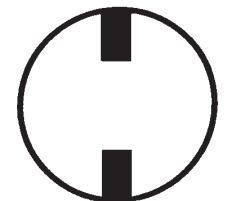
**Install bulbs and be sure  
to test fixture BEFORE  
trimming.**

**NOTE:** INSTALL BOBECHES,  
CANDLESLIPS AND BULBS  
BEFORE INSTALLING SHADE.





**WARNING:**

**3**  **Electrical Danger**  **Turn Power Off**

All electrical components must be installed by a licensed electrician in accordance with the National Electric Code and the appropriate local electrical codes.

