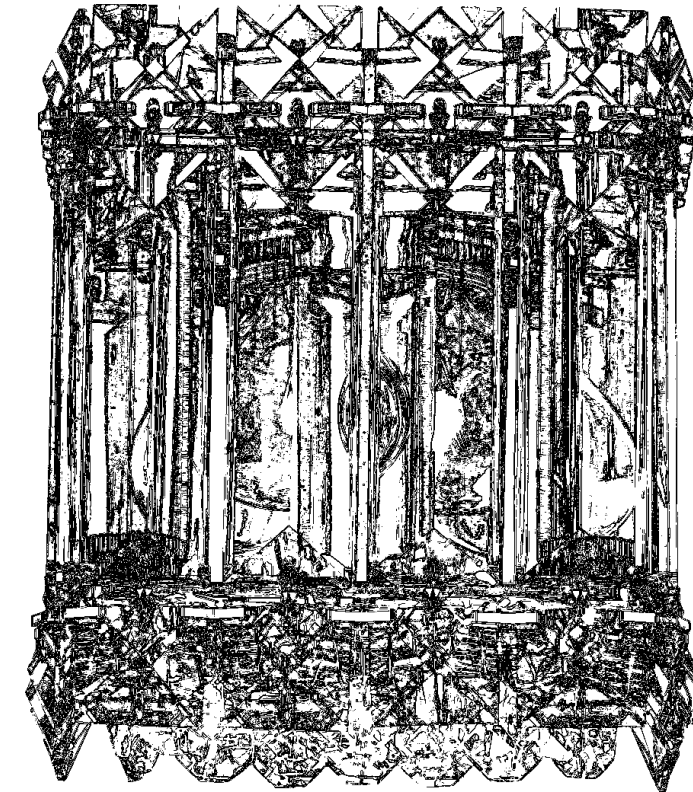


QUANTUM 2220- ____ TRIM DIAGRAM

(Trim Option)

THIS DESIGN IS THE PROPRIETARY TRADE DRESS/TRADE MARK OF SCHONBEK WORLDWIDE LIGHTING INC.



1 Light
 Length: 4-1/2"
 Extension: 3-1/2"
 Height: 5"
 Weight: 2 lbs.

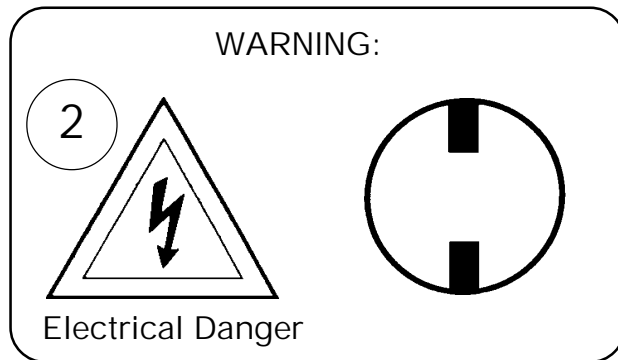
SCHONBEK®

See diagram on back page
 Follow steps in exact order
 Save this trim diagram for future reference

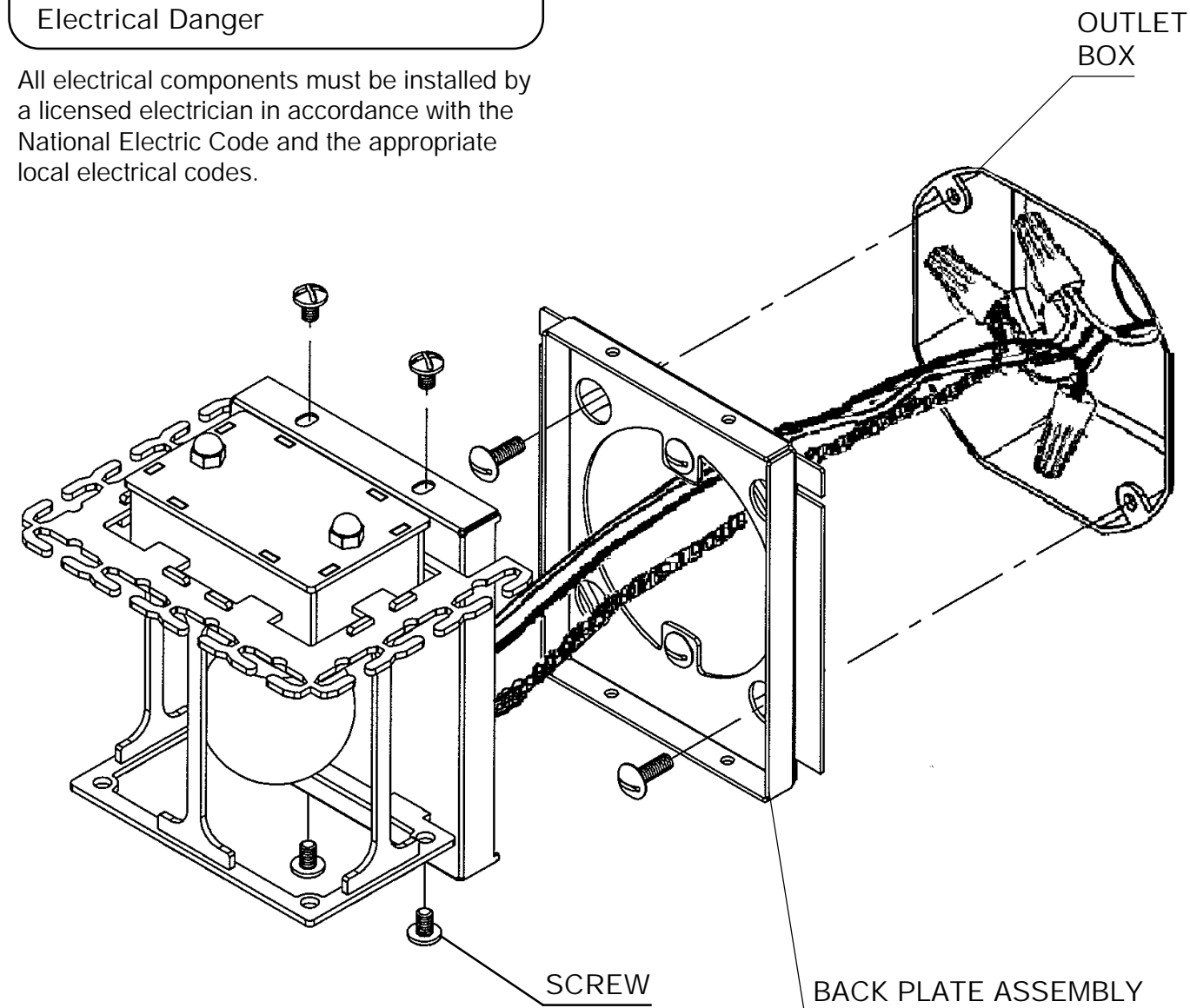
1 IMPORTANT
 Person who opens carton should record the following information for future service.
 CODE # _____ Four-digit number on outside of carton.
 PACKER # _____ See crystal package label.
 ORDER # _____ See crystal package label.

SCHONBEK IS A WORLD LEADER IN CHANDELIER DESIGN. PATENTS INCLUDE:
 #5,144,541, #5,222,805 & #5,460,269

Instructions for electrician STEP 2 - 5



All electrical components must be installed by a licensed electrician in accordance with the National Electric Code and the appropriate local electrical codes.



3 Remove the (4) wall scone screws and separate the back plate assembly from the wall scone. Attach back plate assembly to the outlet box with (2) screws.

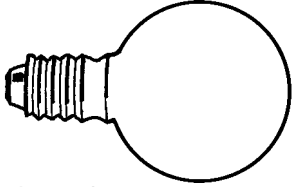
4 Feed stem and ground wires through back plate assembly, then attach to power wires and ground wire in outlet box.

5 Attach wall scone to back plate and tighten the four screws removed previously.



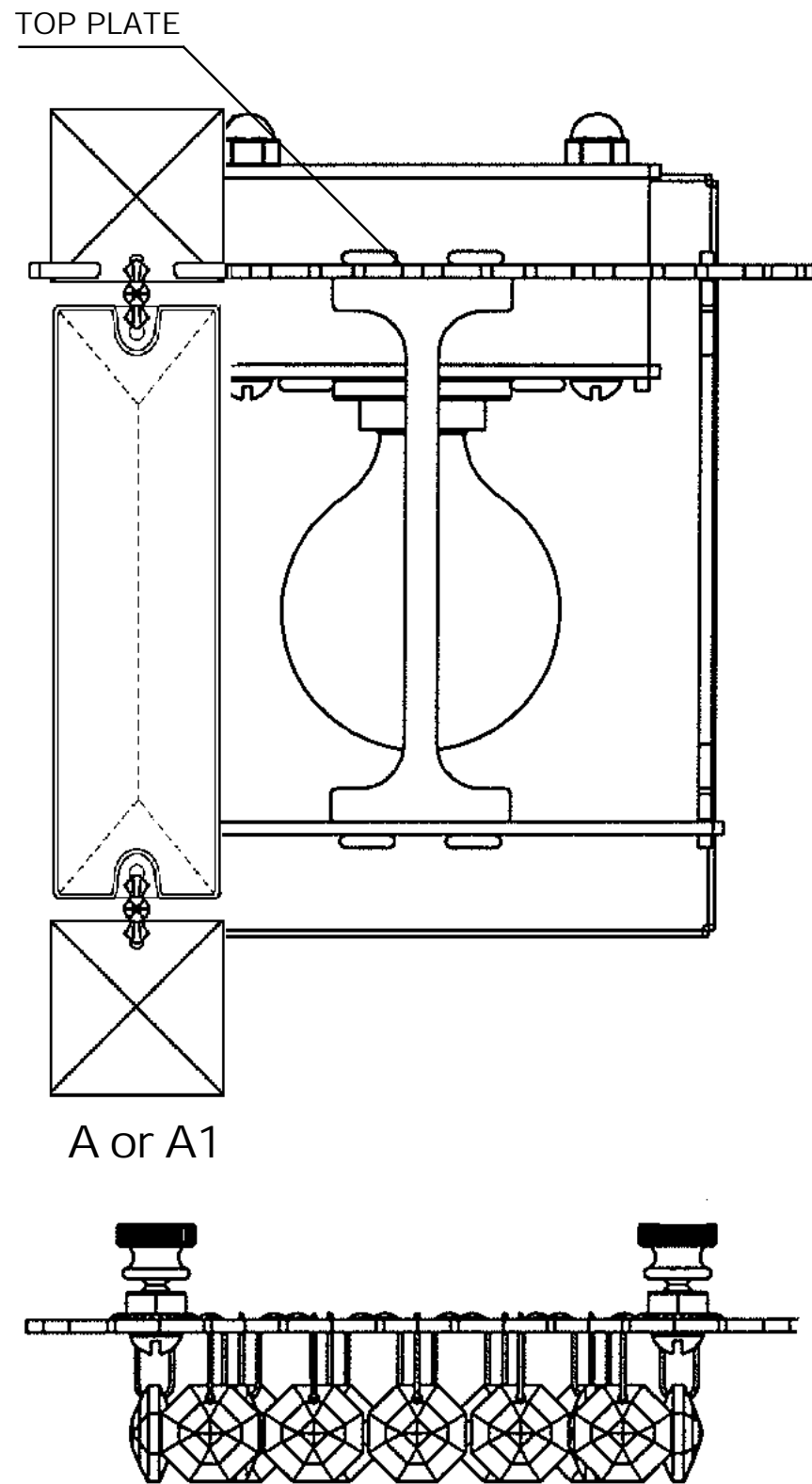
Instructions for crystal trimming

STEPS 6 - 8

6 

You will need 1 - G11
40 Watts Max
25 Watts recommended
(Supplied - Schonbek #: 30205)

Install bulbs and be sure to test
fixture BEFORE trimming.



7 Install bottom crystal grid with four thumb nuts (already screwed onto grid) to bottom of the chandelier.

8 Hold chain "A " by the top square crystal. (NOTE: Flat side of large crystals face out and chains are also symmetrical so either end will work!) When trimming a ST fixture, alternate hanging A & A1 chains. Insert bottom square crystal into the pocket of bottom crystal grid. Then position the top connector (between the top two crystals) into the top plate pocket opening directly above the bottom crystal grid pocket. (Diagram #1) Lower the chain until the top square stone seats itself into the top plate pocket. When the chain is installed correctly, it will be held in place by both top and bottom pockets.

DIAGRAM #1

