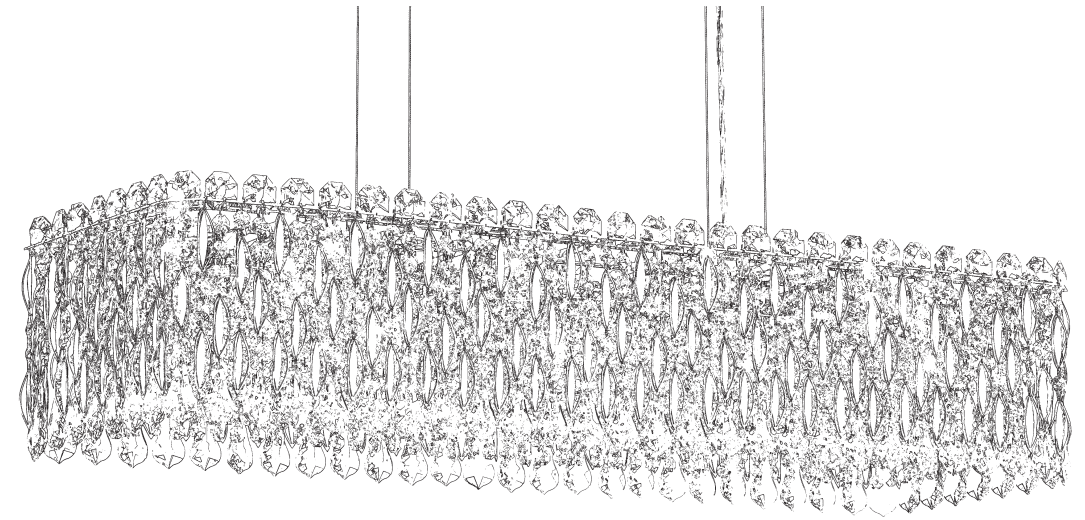


 **SCHONBEK** | 1870










SARELLA
RS8344N- __ __ H

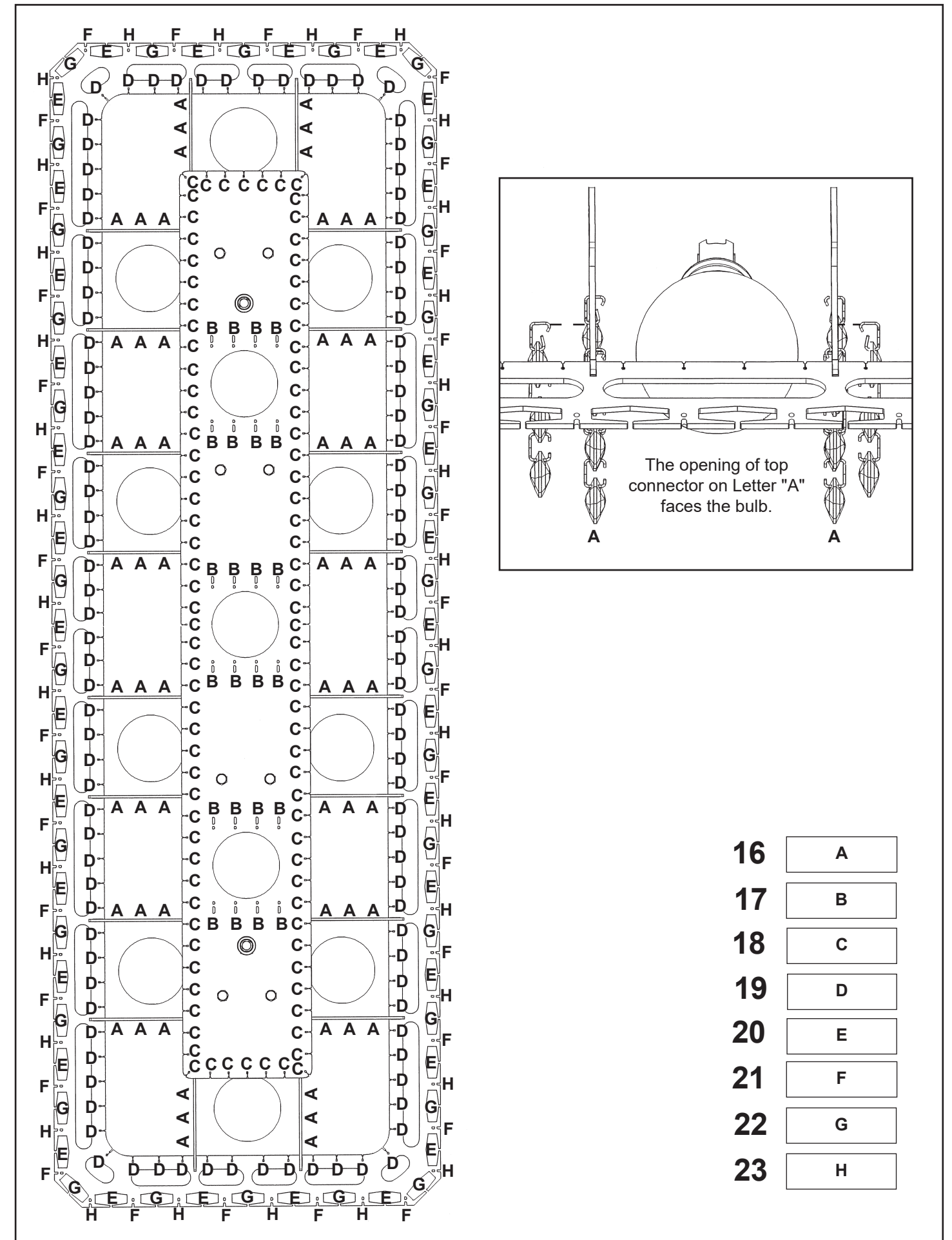
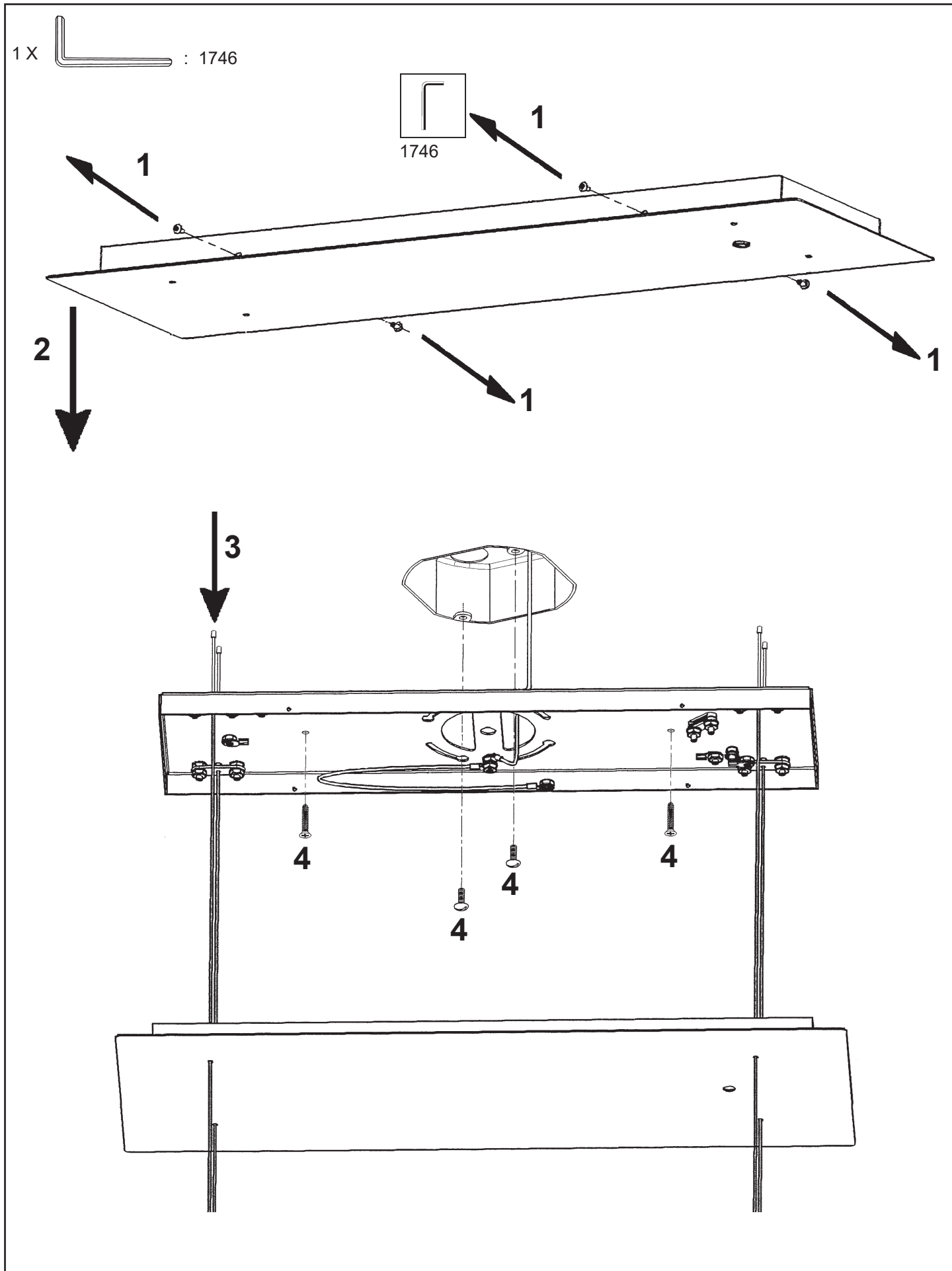


THIS DESIGN IS THE PROPRIETARY
TRADE DRESS/TRADEMARK OF
W SCHONBEK LLC.

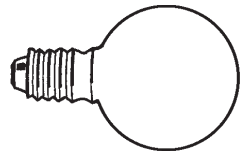
13 Lights
Length: 36-1/2"
Width: 12"
Height: 8"
Hanging Weight: 27lbs.

 **SCHONBEK** | 1870

			S					
MAX 40 W	110-120 V							

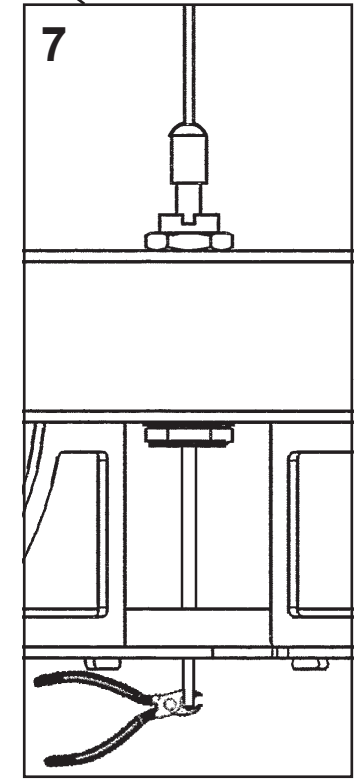
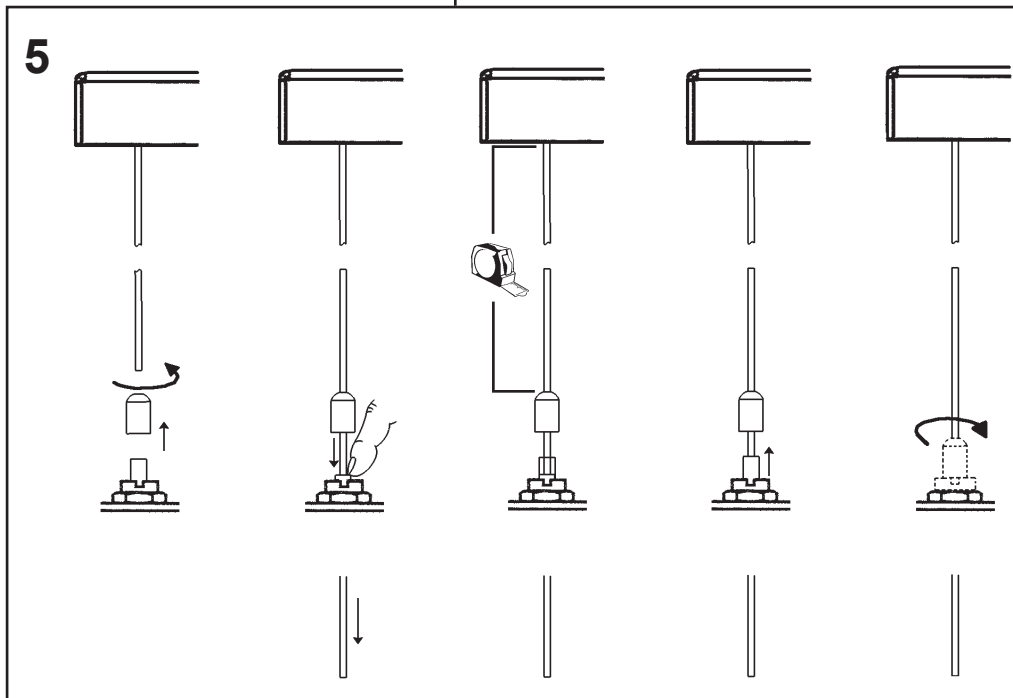
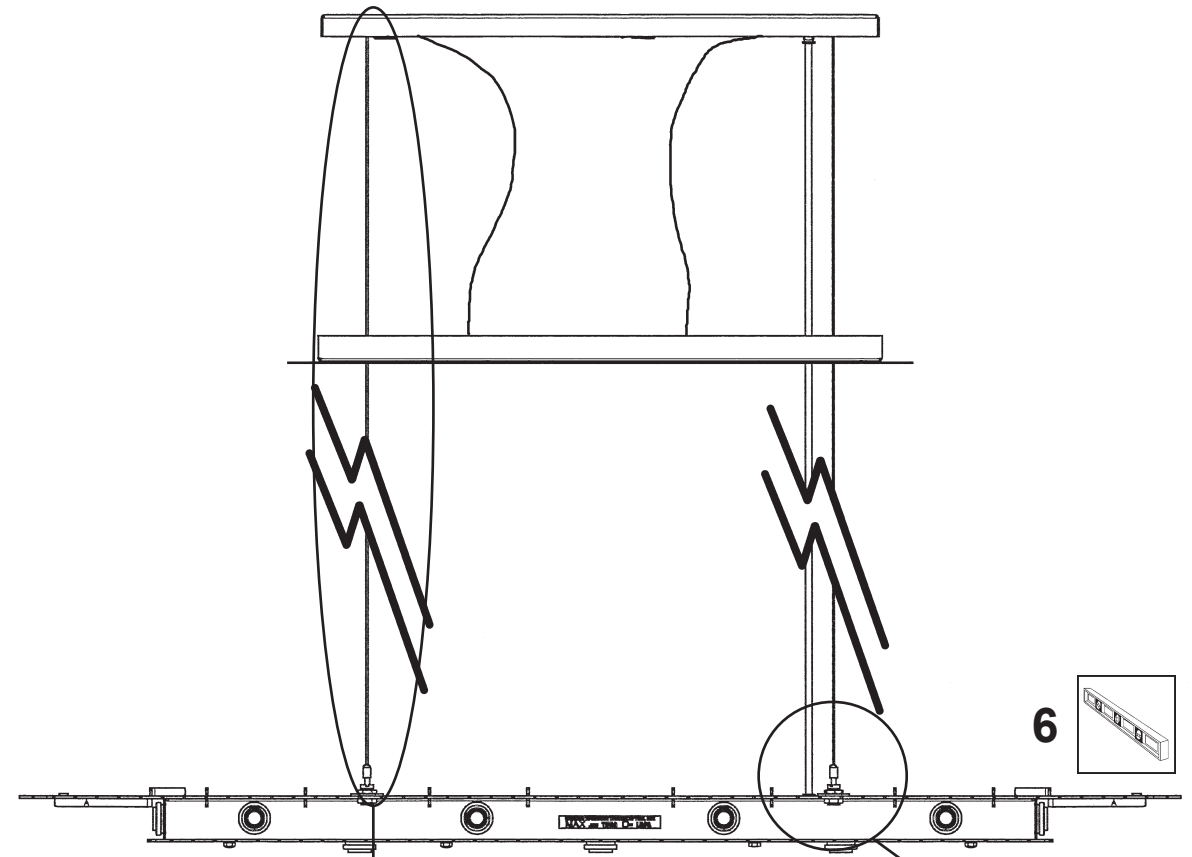
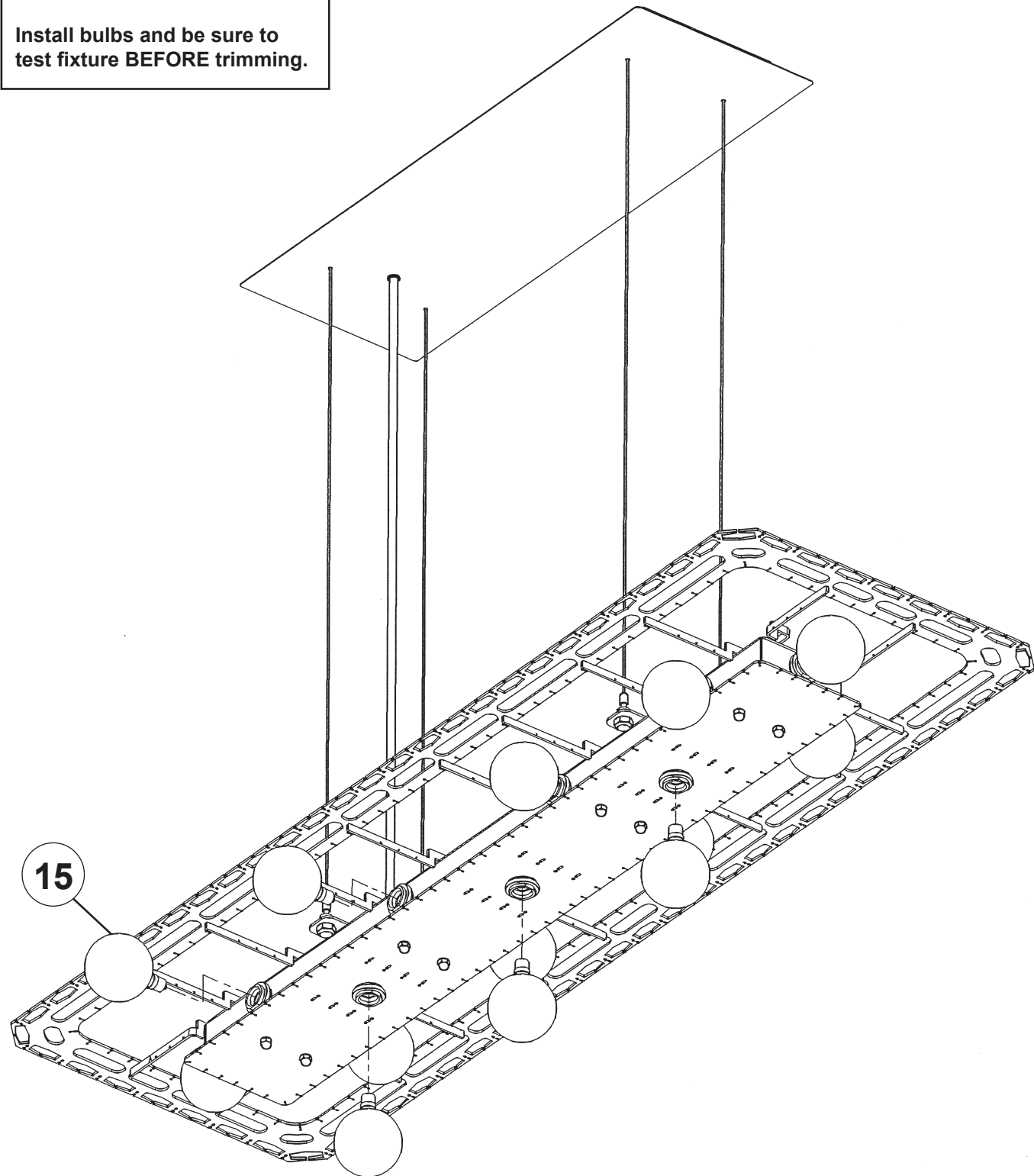


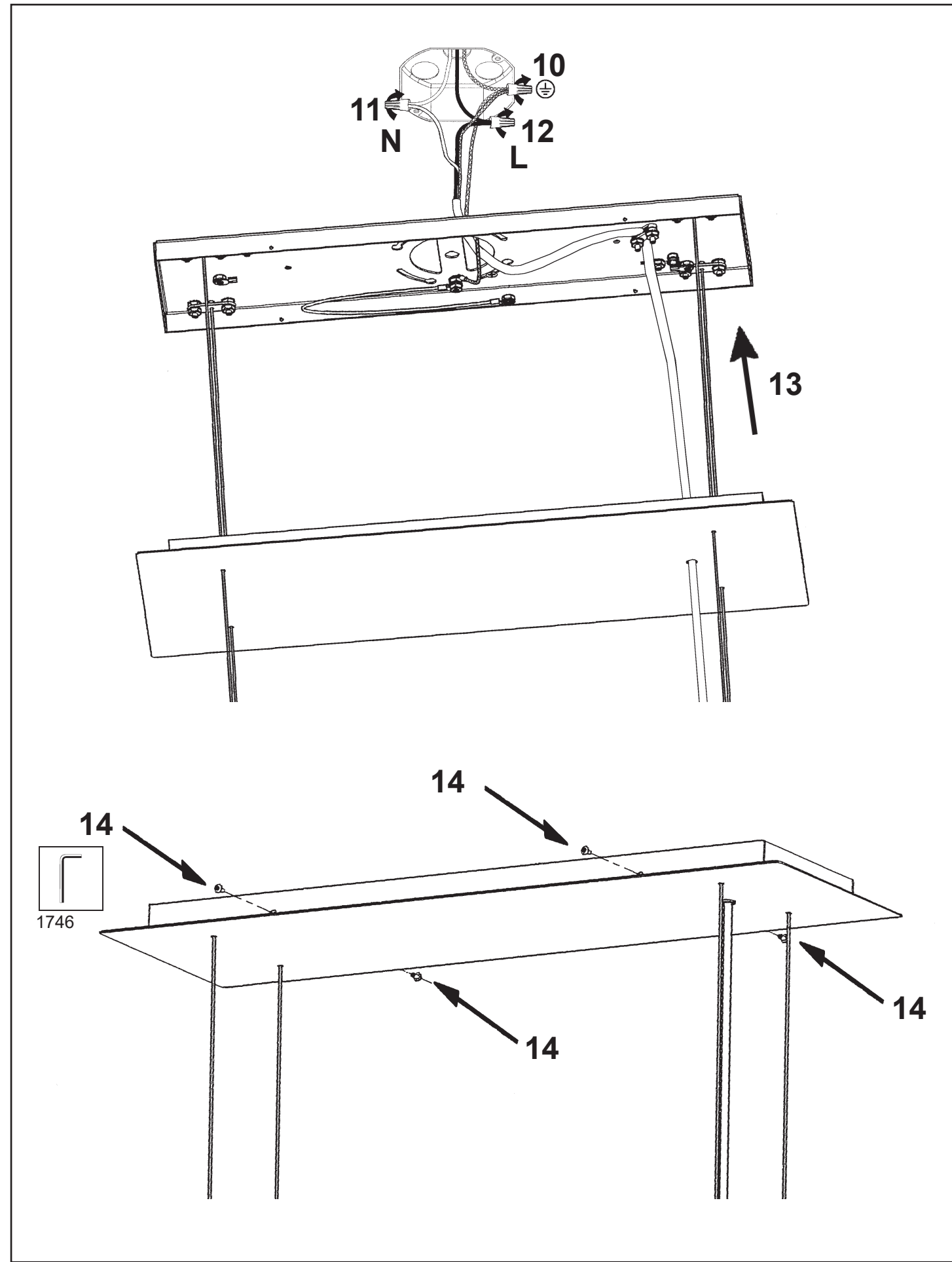
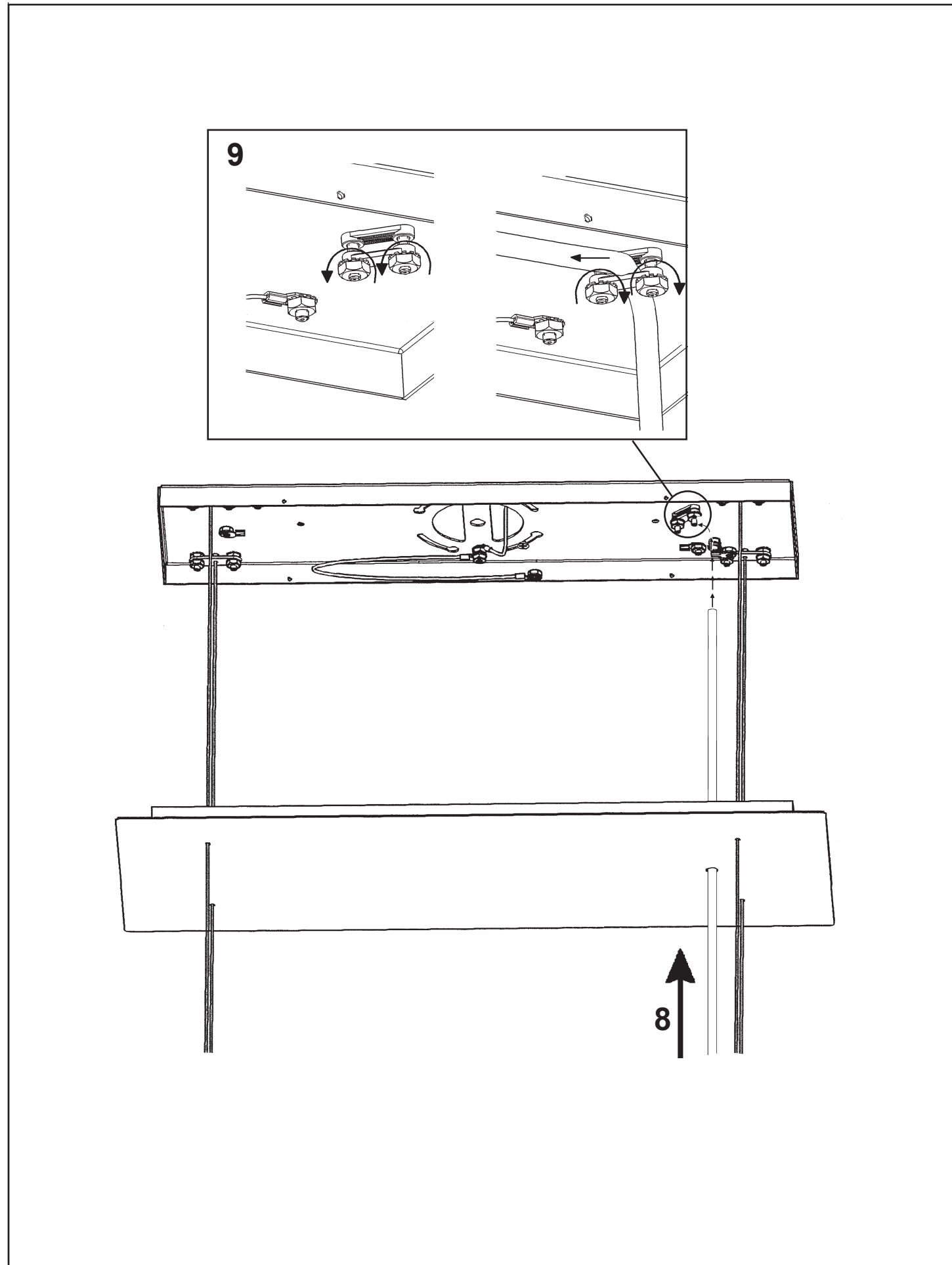
16	A
17	B
18	C
19	D
20	E
21	F
22	G
23	H



You will need 13 - G16-1/2 Bulbs
40 Watts Max

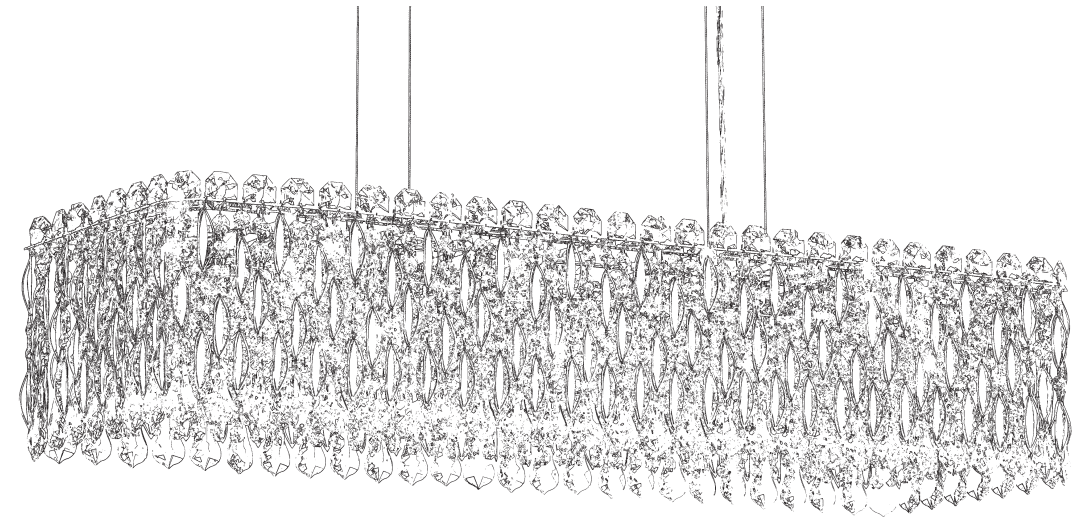
Install bulbs and be sure to
test fixture **BEFORE** trimming.





 **SCHONBEK** | 1870











SARELLA
RS8344N- __ _ R

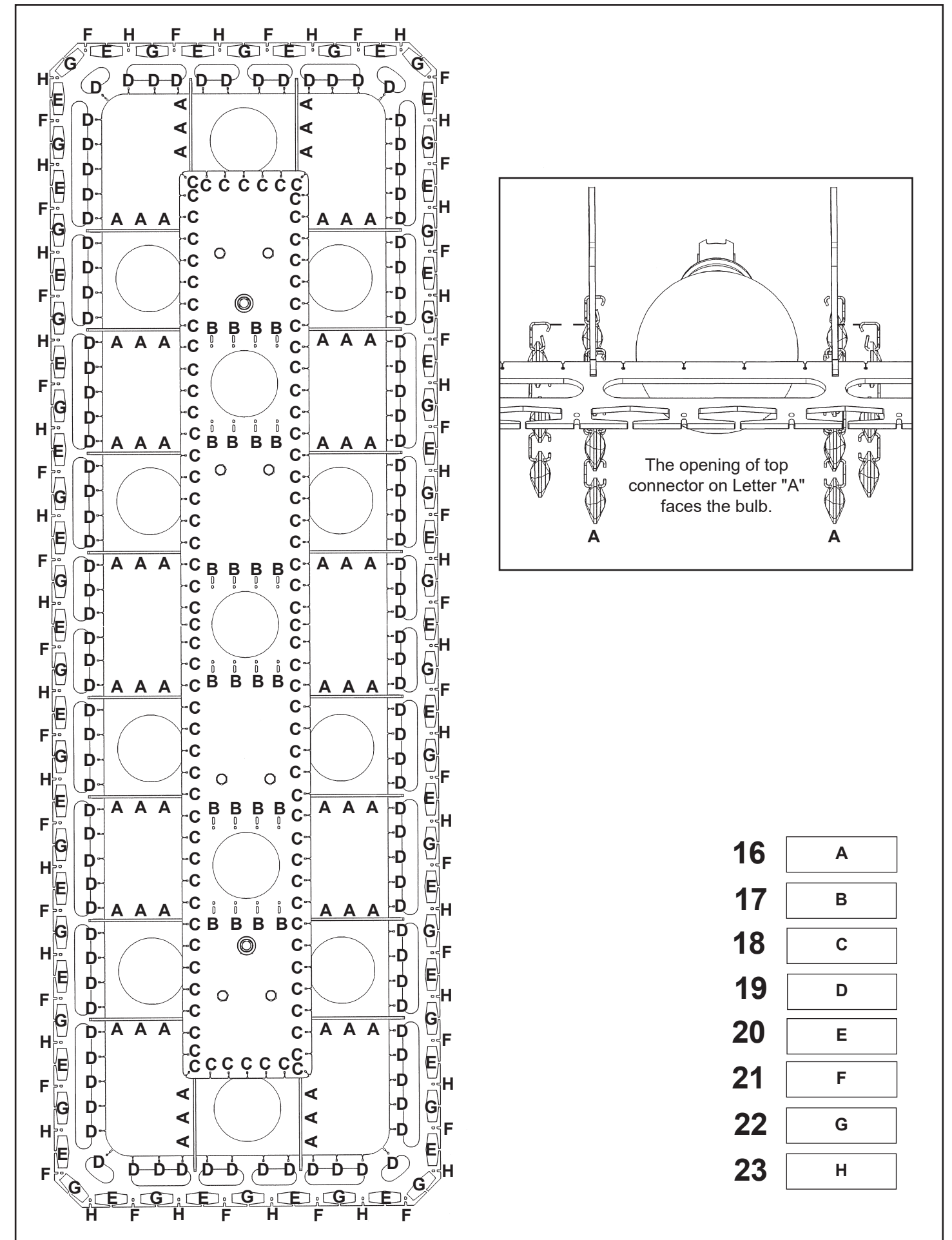
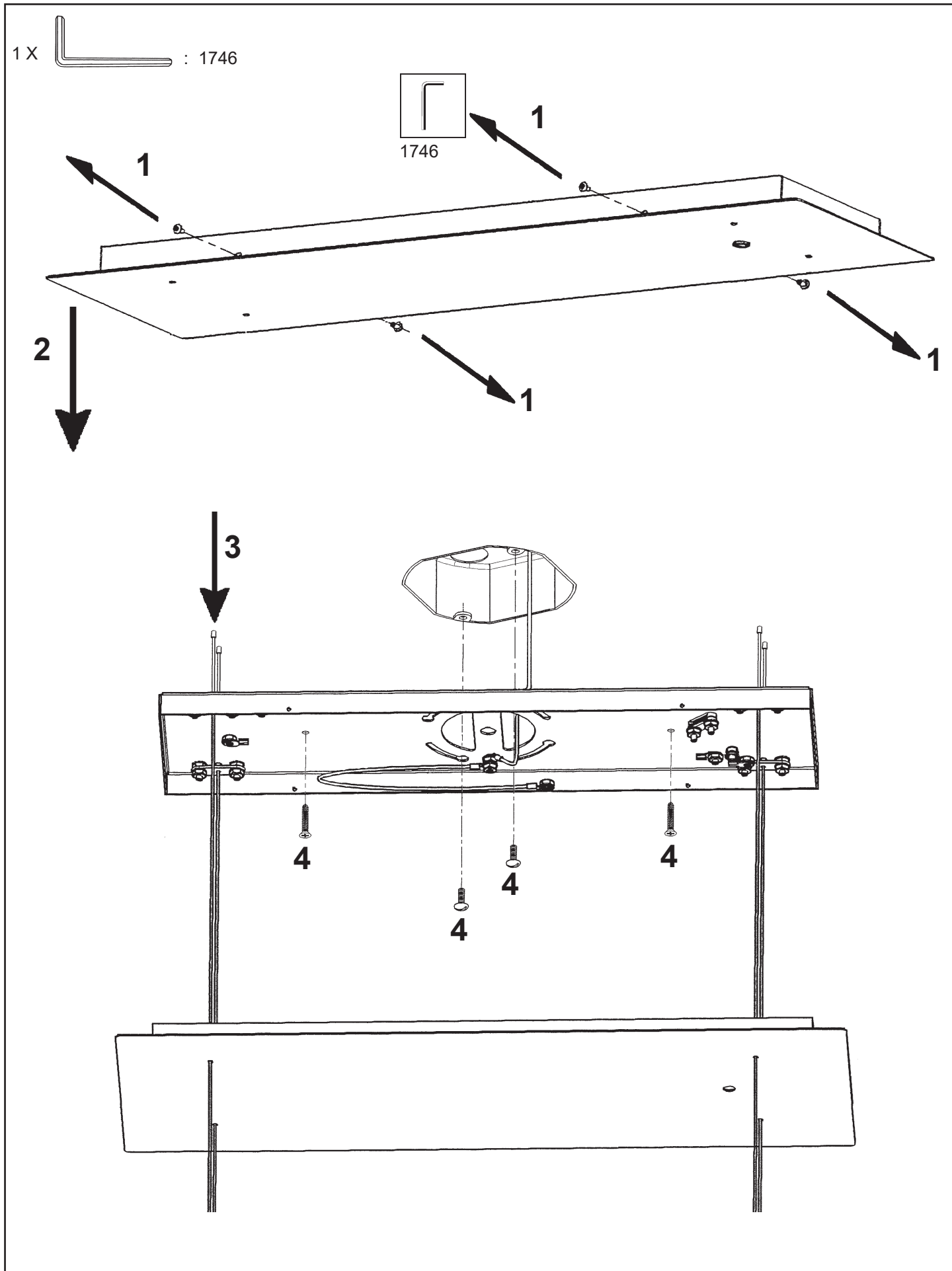


THIS DESIGN IS THE PROPRIETARY
TRADE DRESS/TRADEMARK OF
W SCHONBEK LLC.

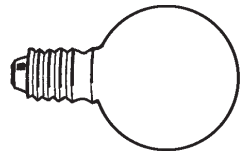
13 Lights
Length: 36-1/2"
Width: 12"
Height: 8"
Hanging Weight: 27lbs.

 **SCHONBEK** | 1870

								
MAX 40 W	110-120 V							

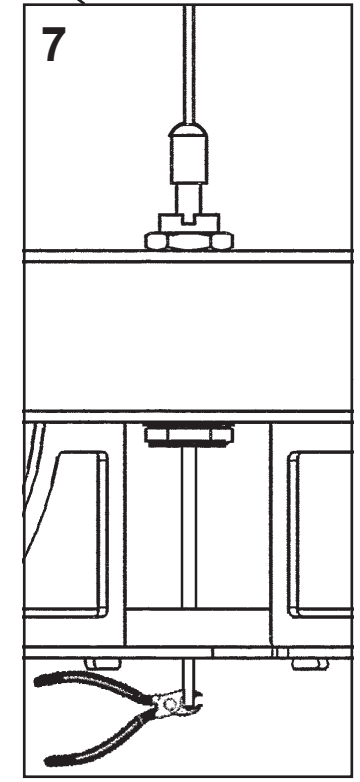
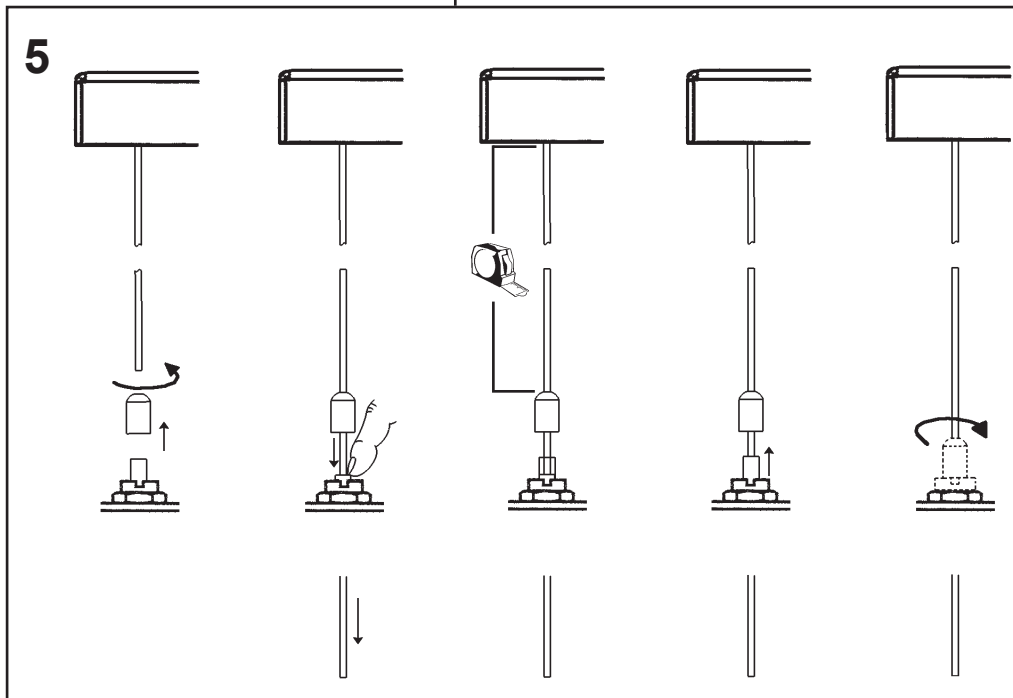
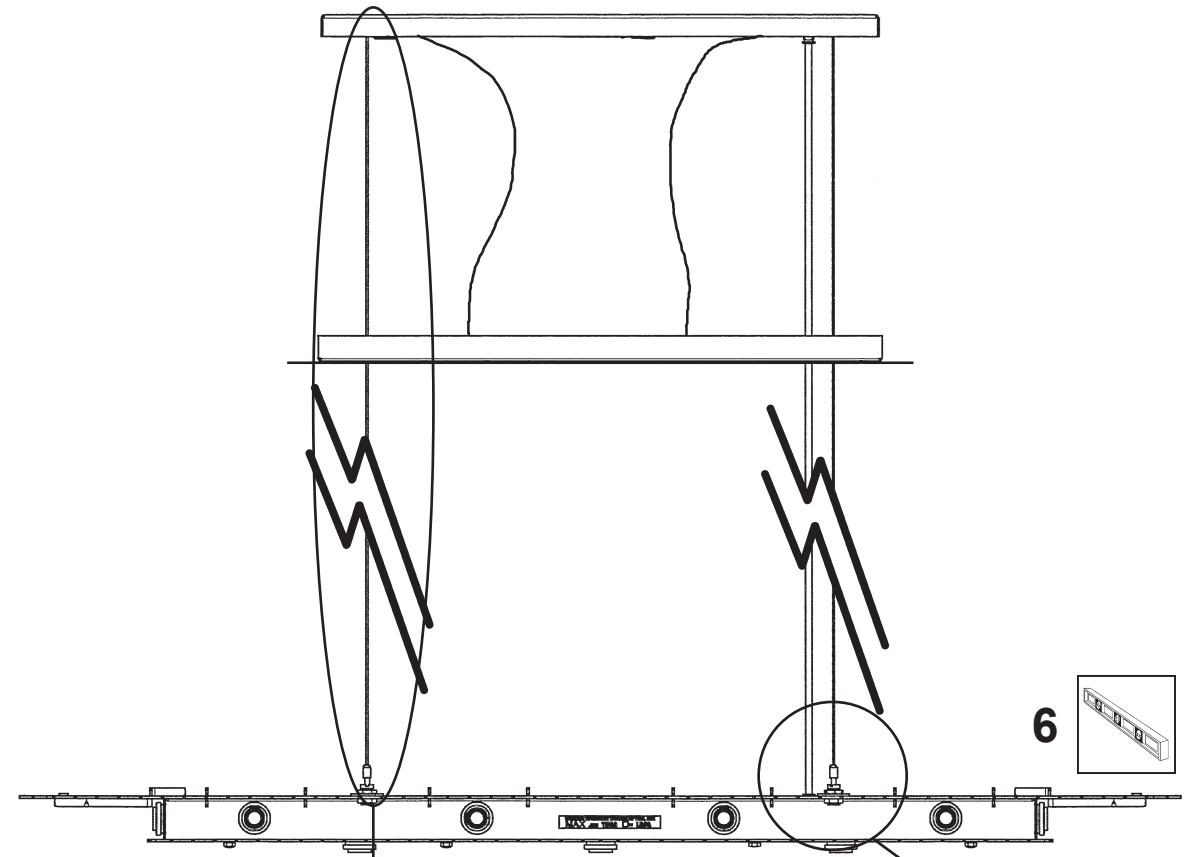
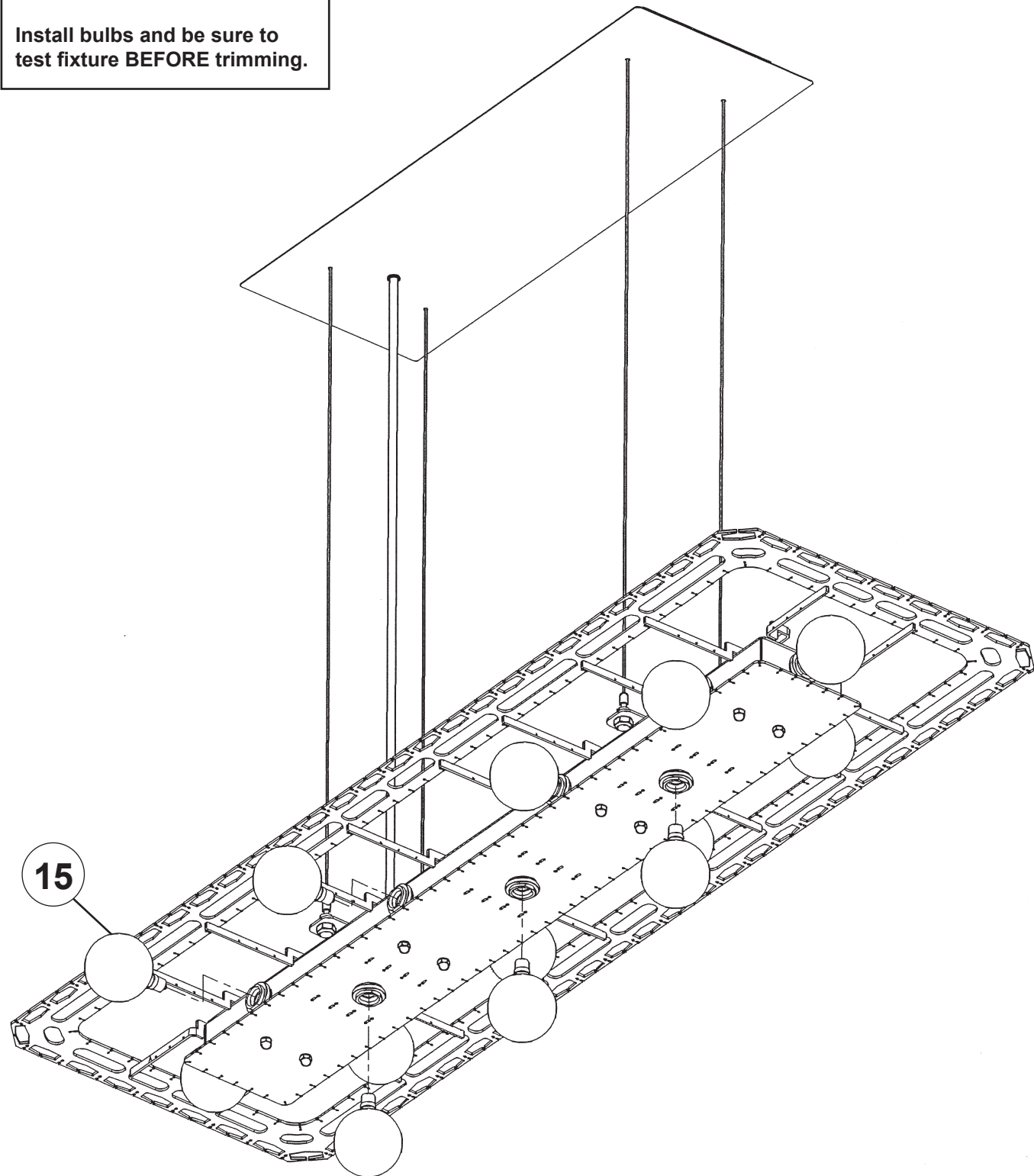


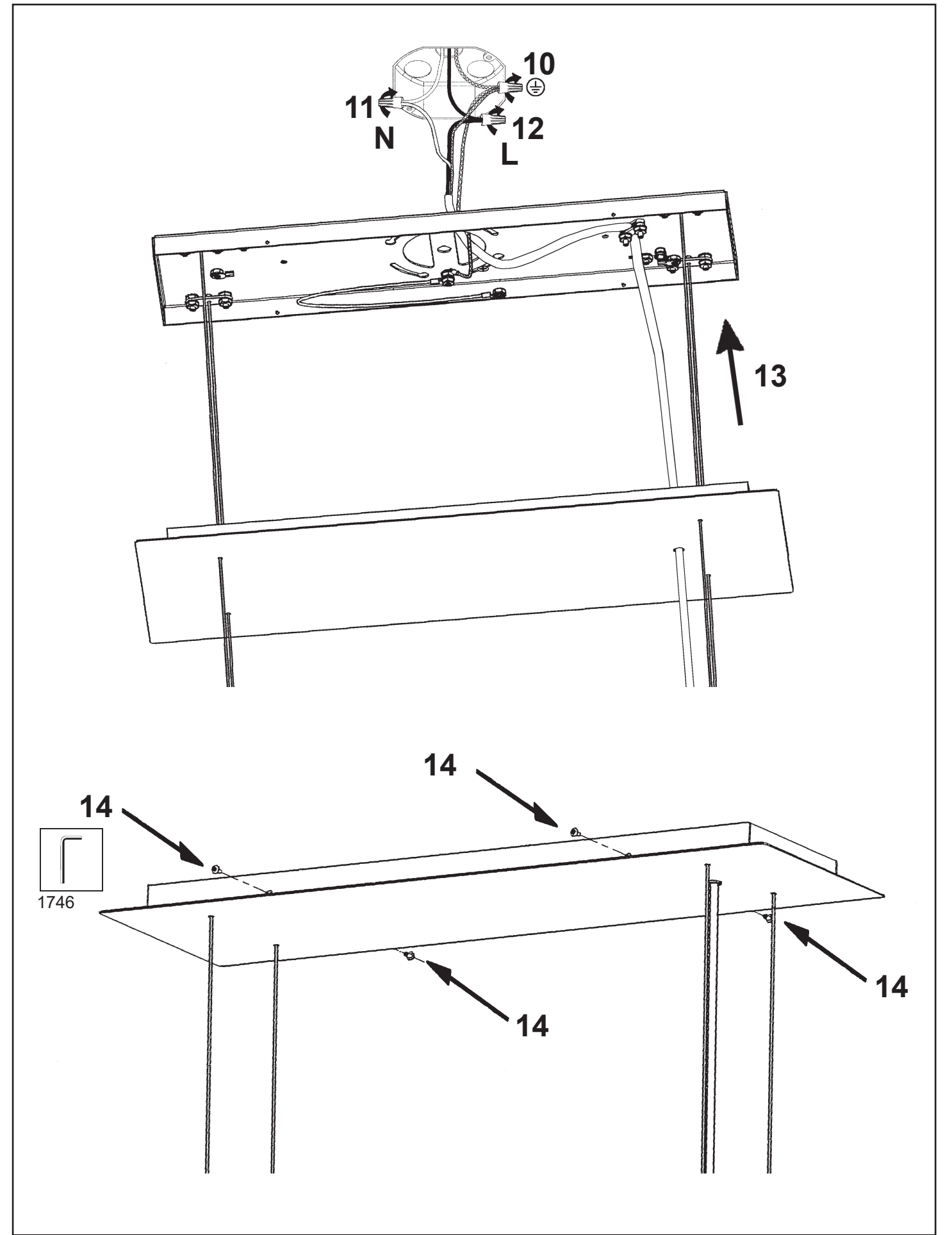
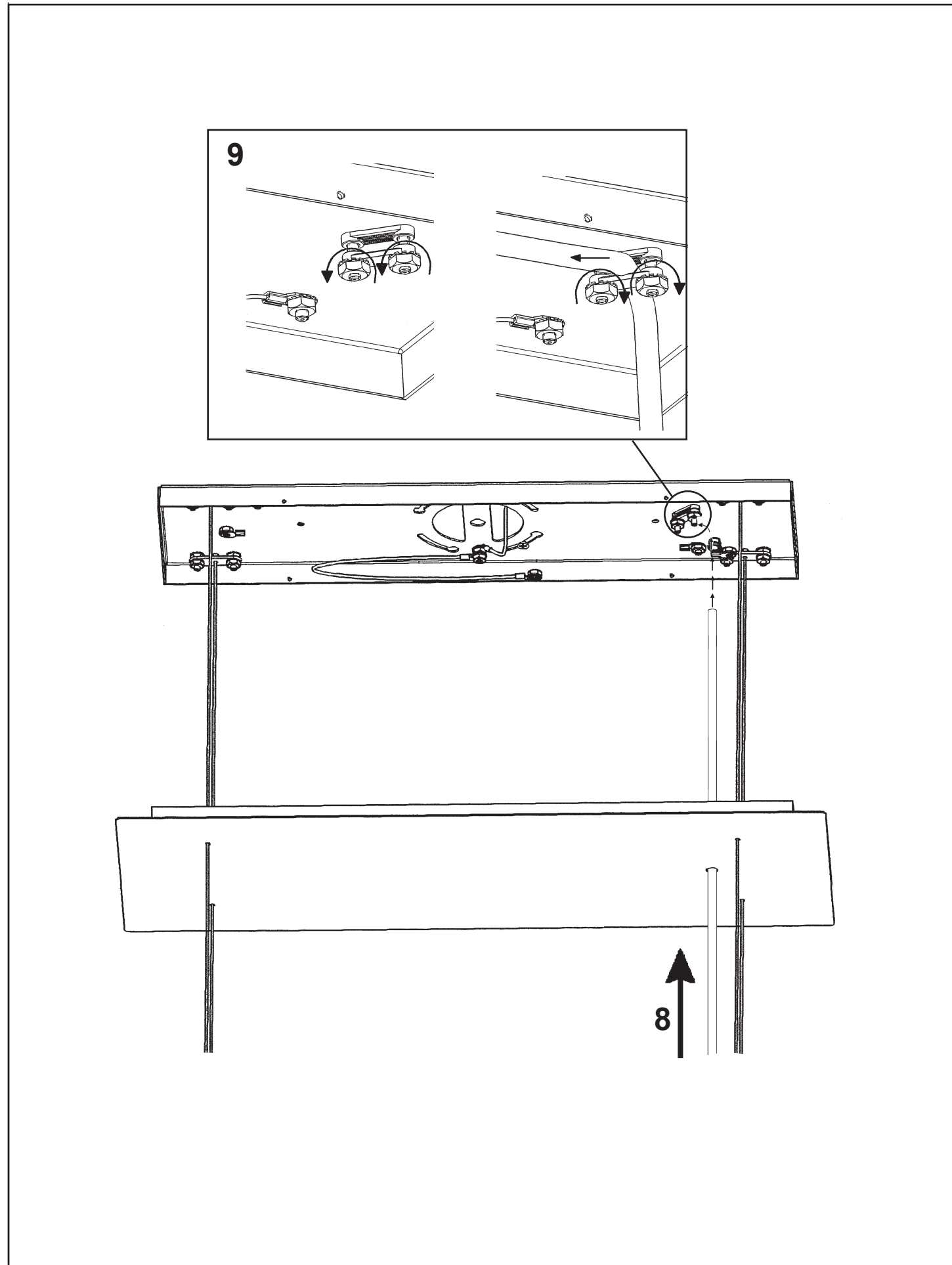
16	A
17	B
18	C
19	D
20	E
21	F
22	G
23	H



You will need 13 - G16-1/2 Bulbs
40 Watts Max

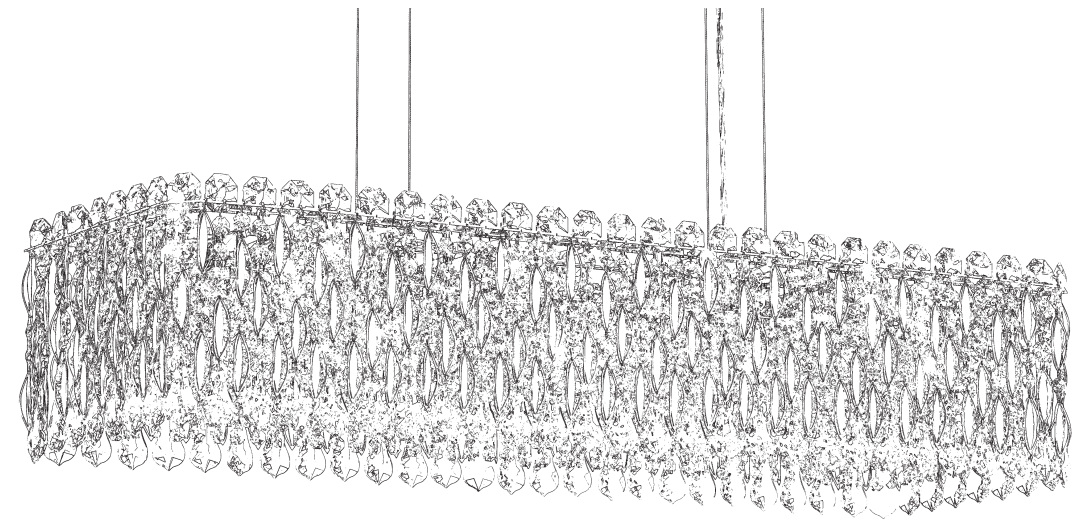
Install bulbs and be sure to
test fixture BEFORE trimming.





 **SCHONBEK** | 1870










SARELLA
RS8344N- __ __ S

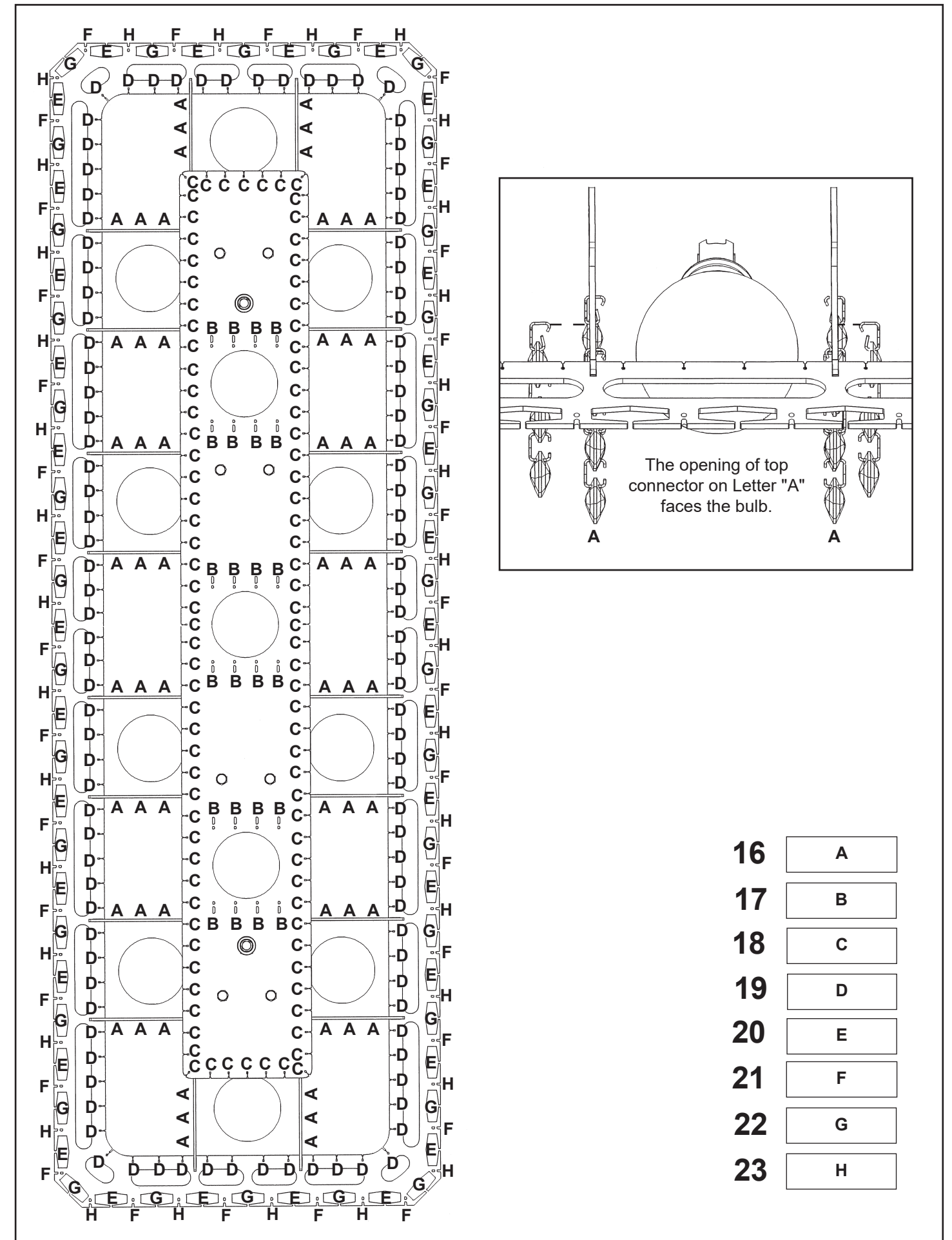
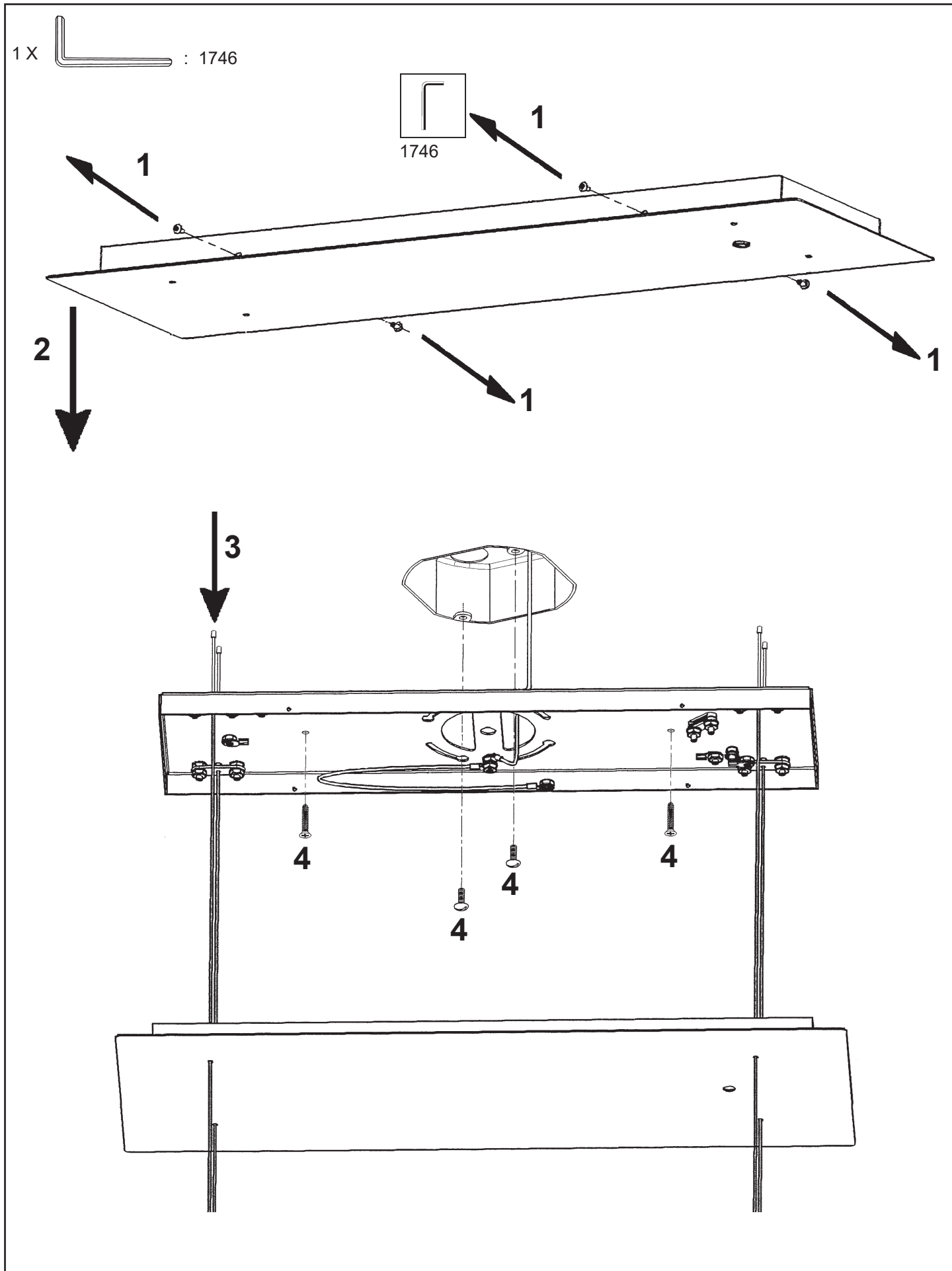


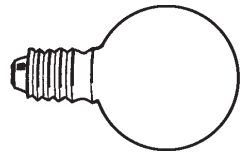
THIS DESIGN IS THE PROPRIETARY
TRADE DRESS/TRADEMARK OF
W SCHONBEK LLC.

13 Lights
Length: 36-1/2"
Width: 12"
Height: 8"
Hanging Weight: 27lbs.

 **SCHONBEK** | 1870

			S					
MAX 40 W	110-120 V							





You will need 13 - G16-1/2 Bulbs
40 Watts Max

Install bulbs and be sure to
test fixture **BEFORE** trimming.

