

# SCHONBEK

1870

PRISCILLA BC7110N- \_\_ \_\_ P \_\_ \_\_



**T**HIS DESIGN IS THE PROPRIETARY TRADE DRESS/TRADEMARK OF SWAROVSKI LIGHTING, LTD.

10 Lights  
Diameter: 36"  
Height: 28"  
Hanging Weight: 16lbs.

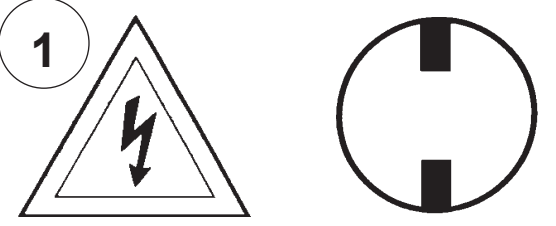
# SCHONBEK

1870

MAX 60 W	110-120 V							

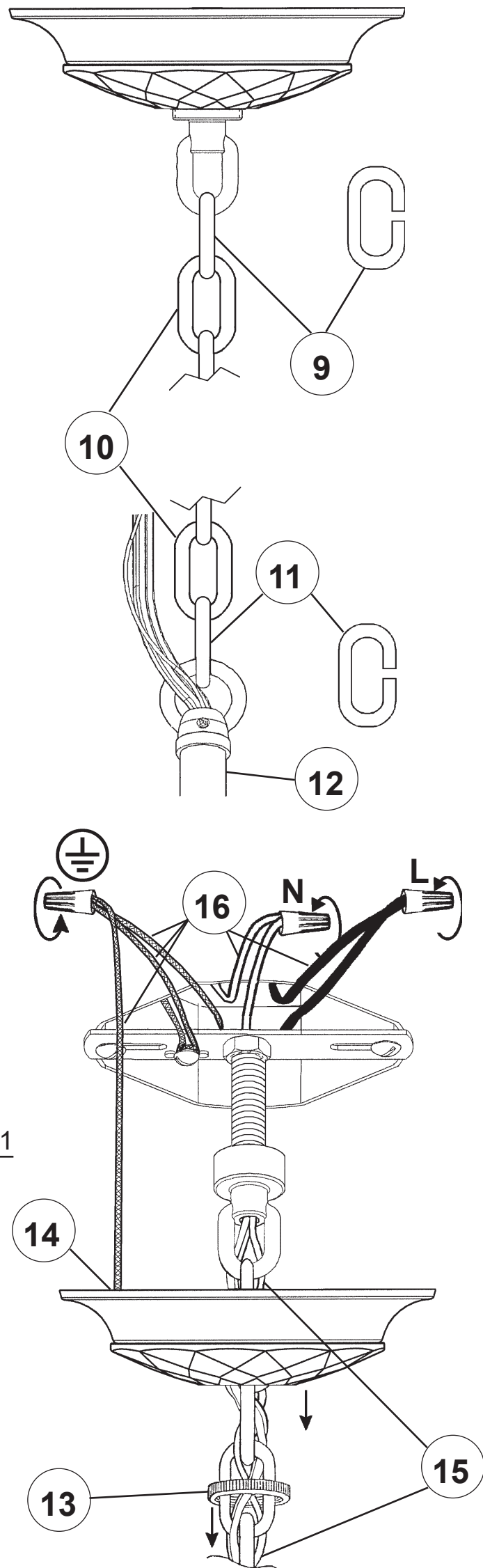
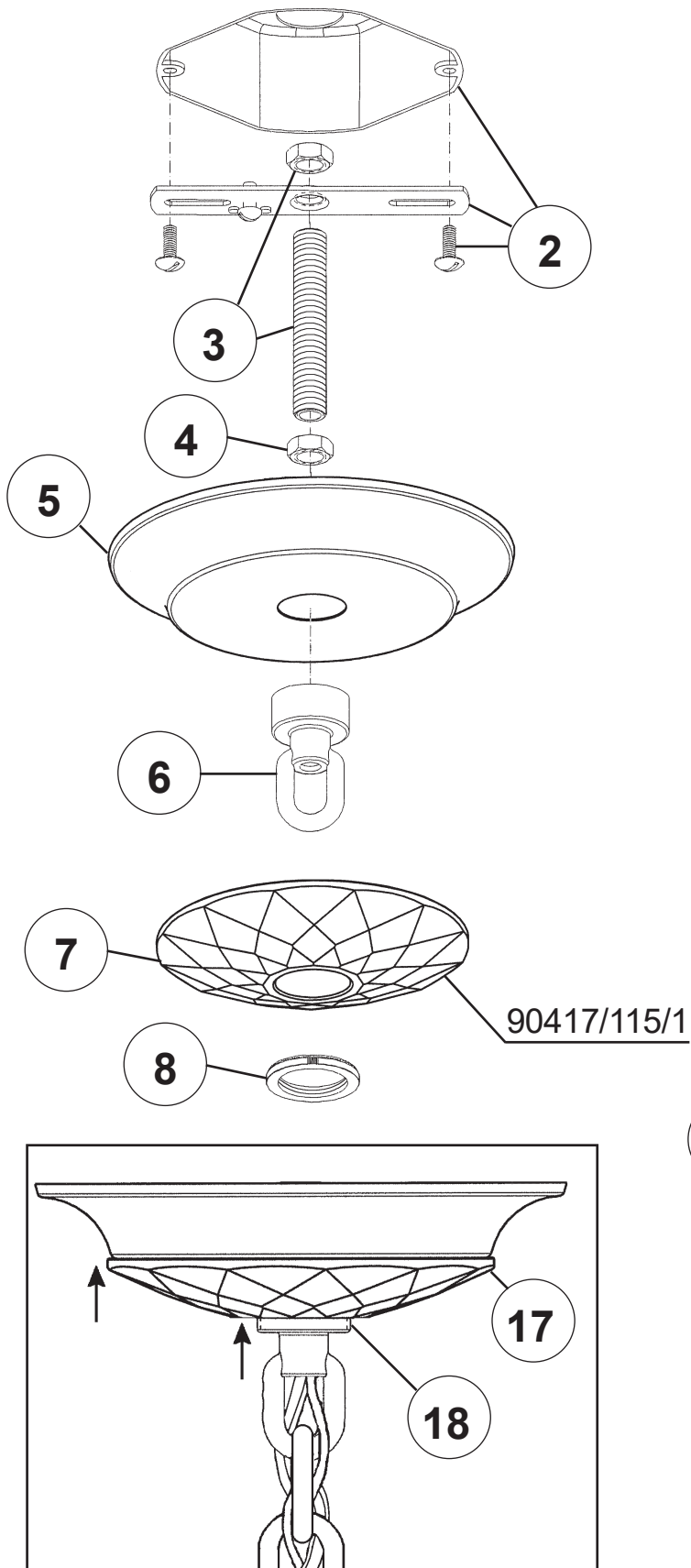
SCHONBEK® is a member of the Swarovski group.

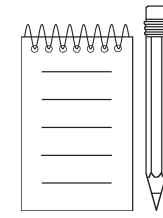
**WARNING:**

1 

**Electrical Danger Turn Power Off**

All electrical components must be installed by a licensed electrician in accordance with the National Electric Code and the appropriate local electrical codes.



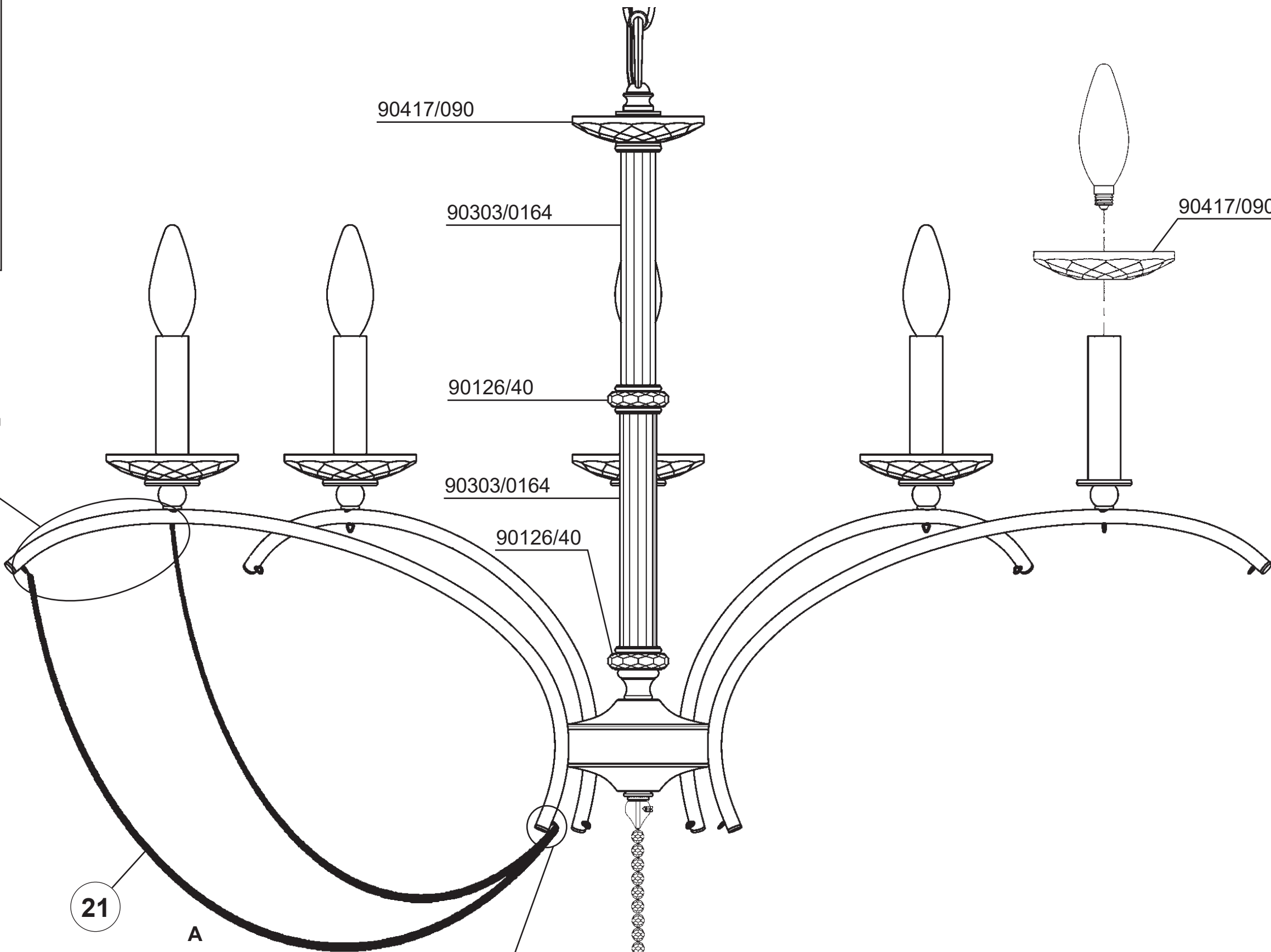
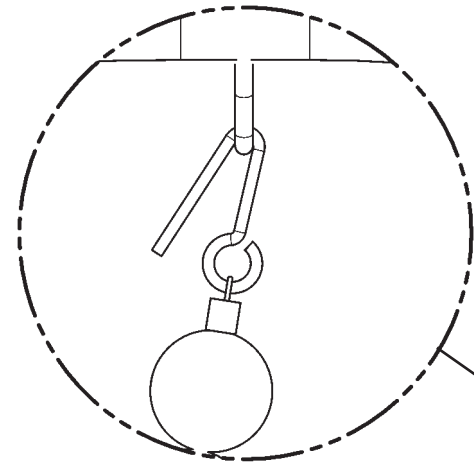


19



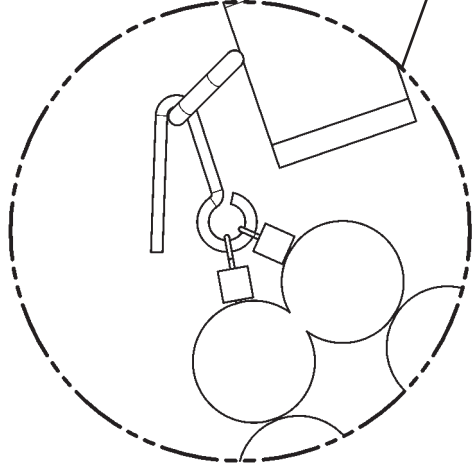
You will need 10 - B10  
60 Watts Max

Install bulbs and be sure to  
test fixture **BEFORE**  
trimming.



21

A



N20876-\*\*

20

