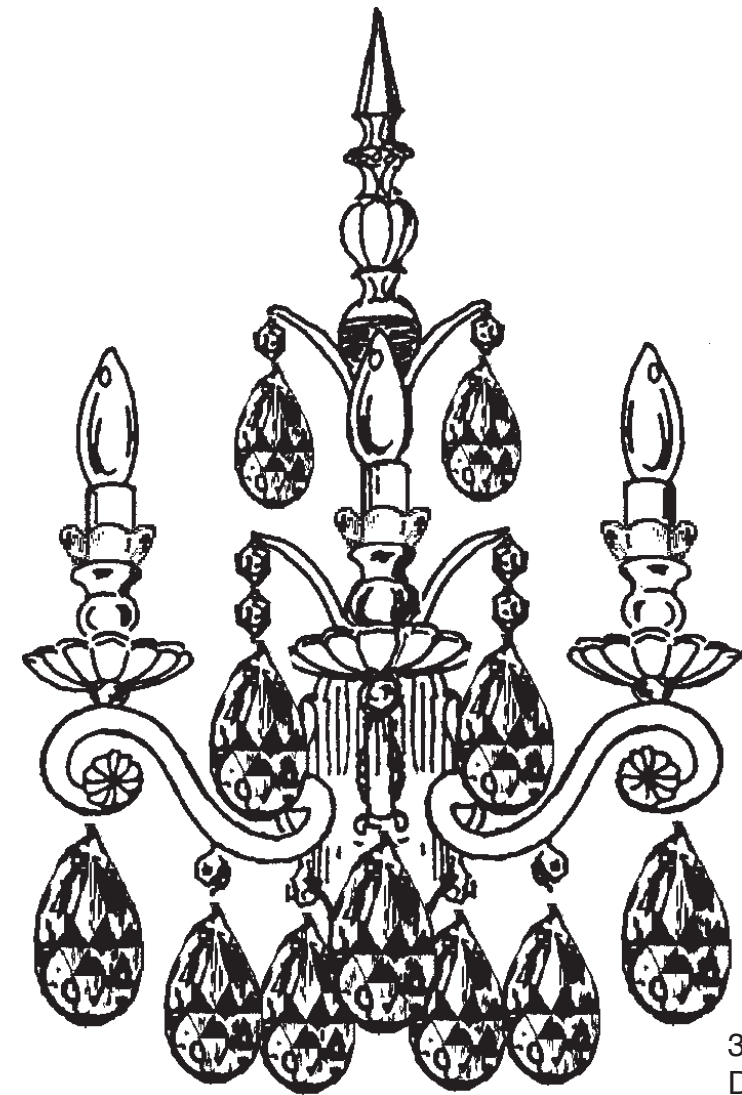




SCHONBEK®

©2014 SWAROVSKILIGHTING, LTD.

RENAISSANCE 3762- __ __TK



3 Lights
Diameter: 15"
Body Length: 22"
Extension: 8"
Hanging Weight: 8 lbs.

THIS DESIGN IS THE PROPRIETARY TRADE DRESS/TRADEMARK OF SWAROVSKILIGHTING, LTD.

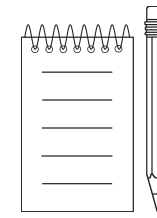
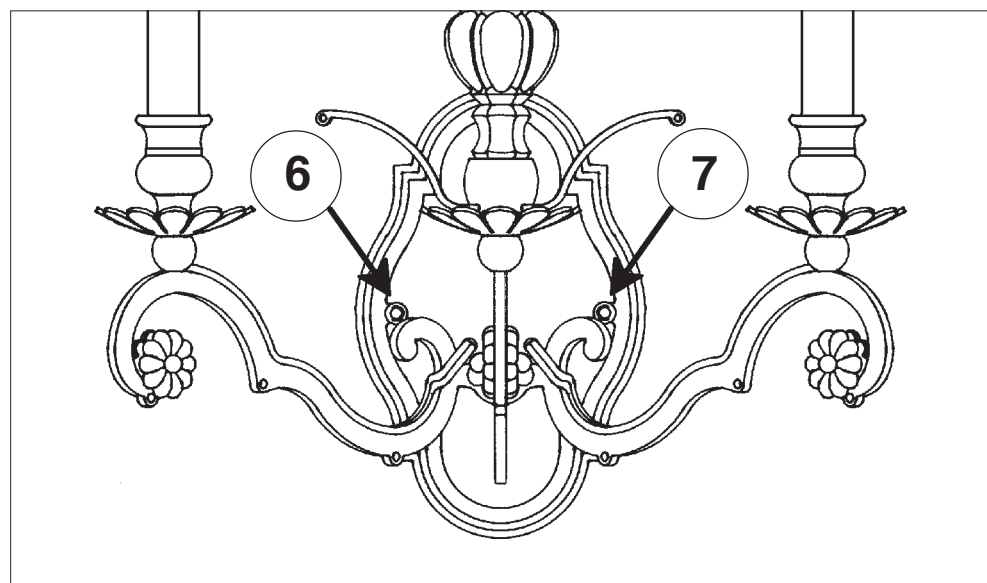
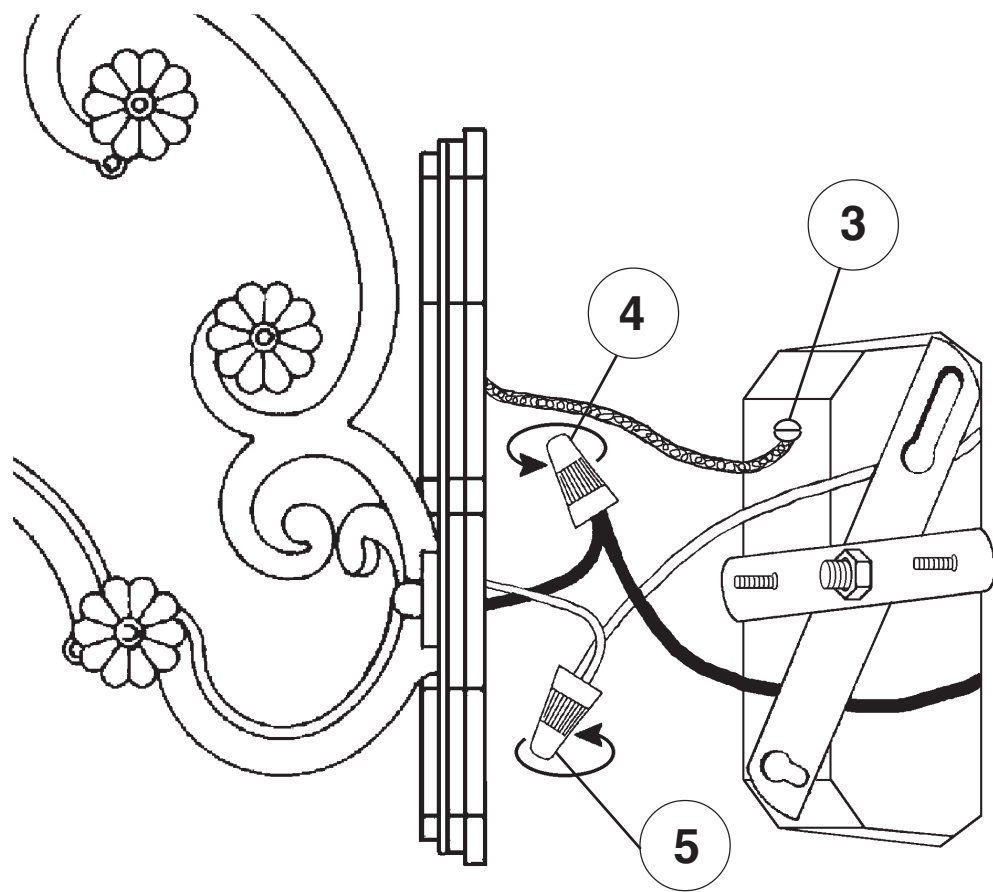
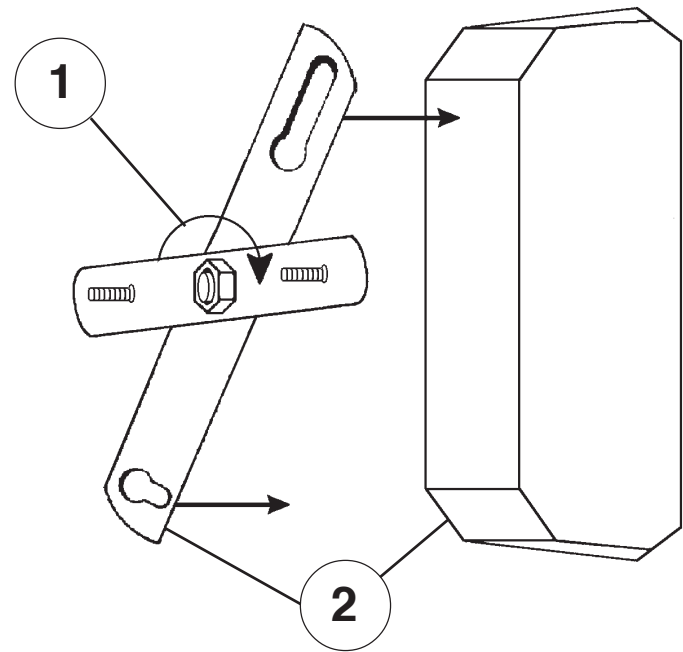


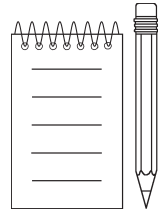
SCHONBEK®

MAX <u>60</u> W		110-120 V						

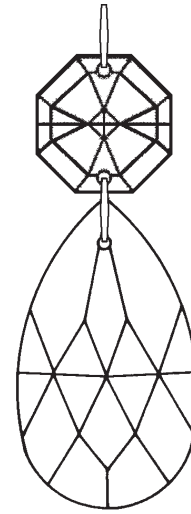
SCHONBEK® is a member of the Swarovski group.

All electrical components must be installed by a licensed electrician in accordance with the National Electric Code and the appropriate local electrical codes.

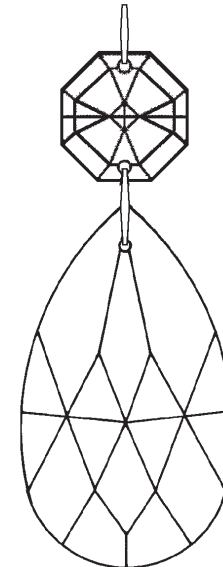




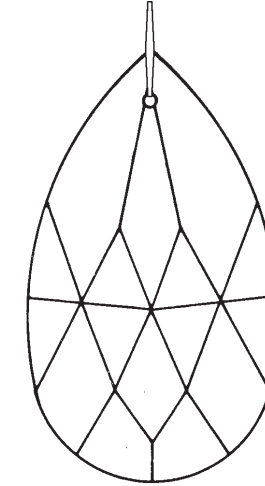
SET #1



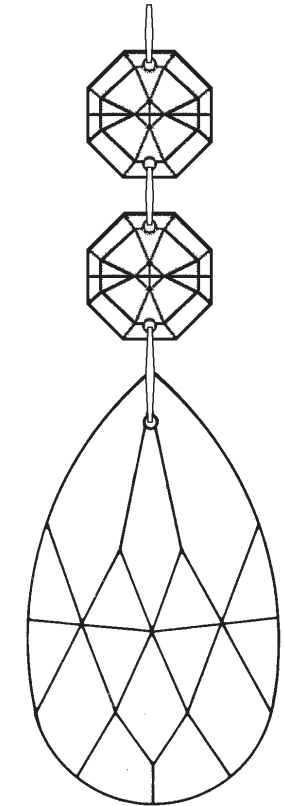
N4044TK
2"
50mm



N4003TK
2-1/2"
63mm

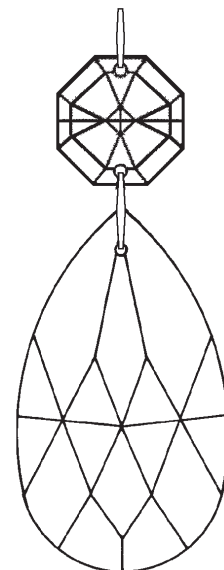


N4004TK
3"
76mm

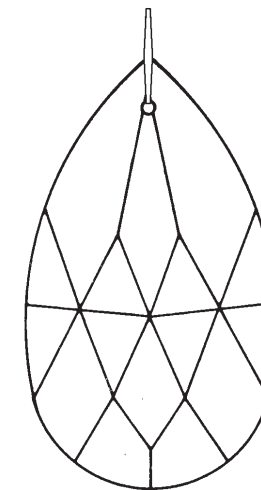


N4010TK
3"
76mm

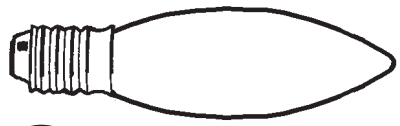
SET #2



N4003TK
2-1/2"
63mm



N4004TK
3"
76mm



9 3 - B10
60 Watts Max
25 Watts Recommend

Crystal Set #2 in Black

