



SCHONBEK®

BAGATELLE 1248- _____



8 + 3 Lights
Diameter: 26-1/2"
Body Length: 29"
Hanging Weight: 23 lbs.

THIS DESIGN IS THE PROPRIETARY TRADE DRESS/TRADEMARK OF SWAROVSKI LIGHTING, LTD.

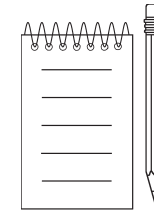
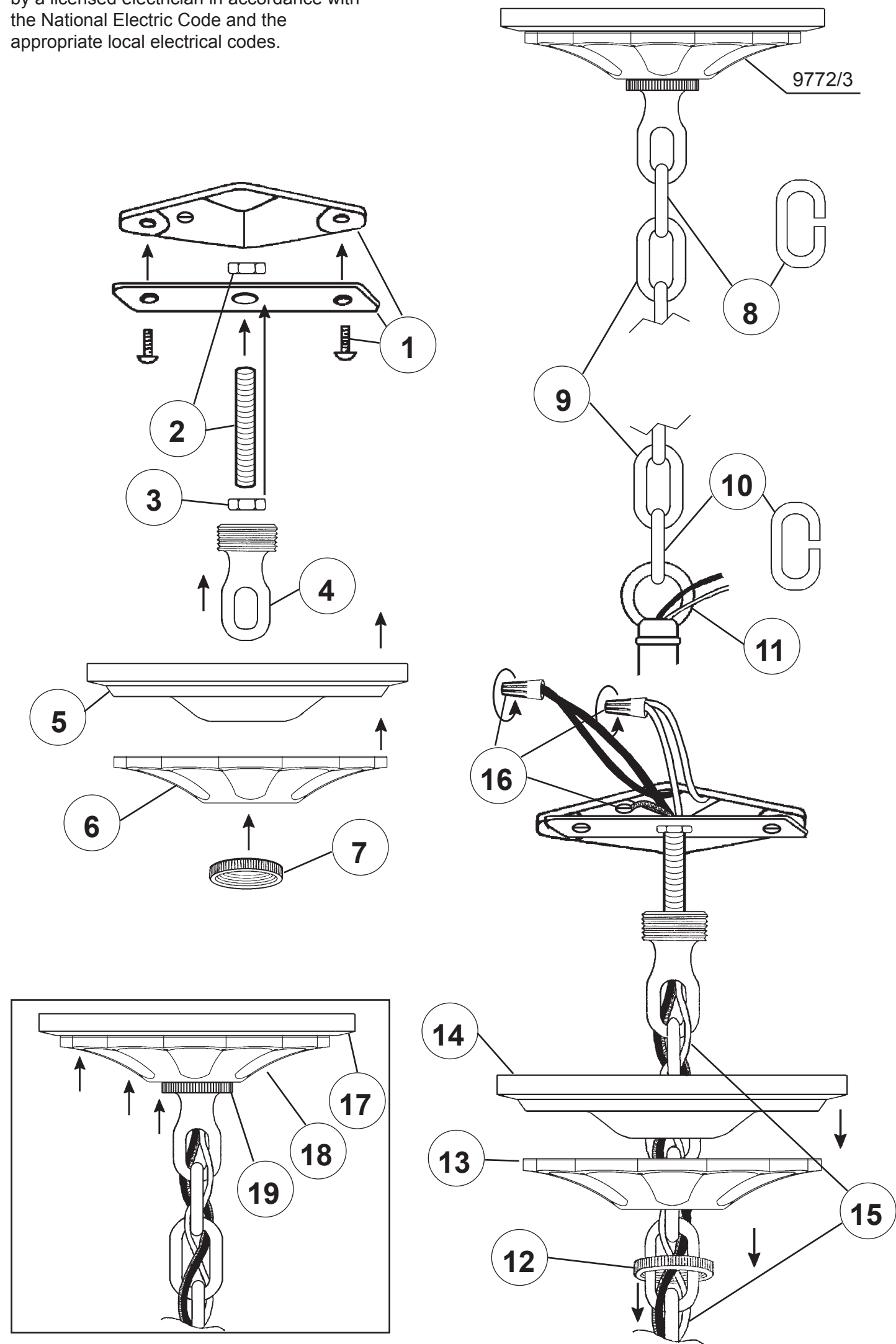


SCHONBEK®

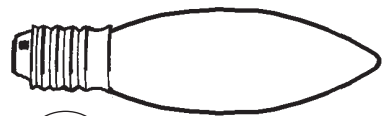
8 X MAX 60 W		3 X MAX 40 W		110-120 V				

SCHONBEK® is a member of the Swarovski group.

All electrical components must be installed by a licensed electrician in accordance with the National Electric Code and the appropriate local electrical codes.

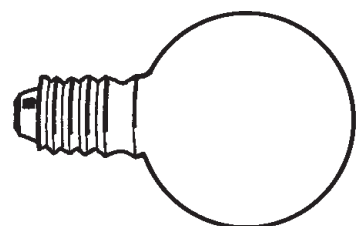






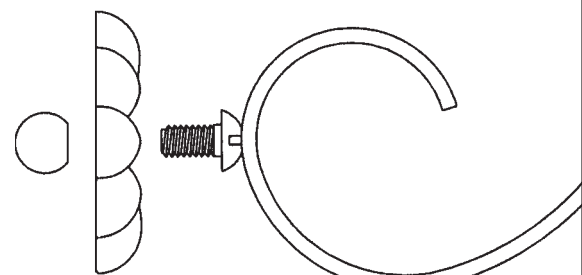
20

You will need 8 - B10
25 Watts Recommended
60 Watts Max



3 - G12 (supplied)
25 Watts Recommended
40 Watts Max

Install bulbs and be sure
to test fixture **BEFORE**
trimming.



21

Slide rosettes with flat side
facing towards you onto
the screws and secure with
balls provided.

Chain "F" swags from
side loop on Drop "D"
to the next side hole on
the arm rosette.

NOTE:
Place smaller
rosettes on
these scrolls
only.

