



SCHONBEK®

MILANO 5642- __ __A



2 Light
Diameter: 13-1/2"
Body Length: 15-1/2"
Extension: 7-1/2"
Hanging Weight: 3 lbs.

THIS DESIGN IS THE PROPRIETARY
TRADE DRESS/TRADemark OF
SWAROVSKI LIGHTING, LTD.

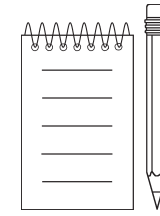
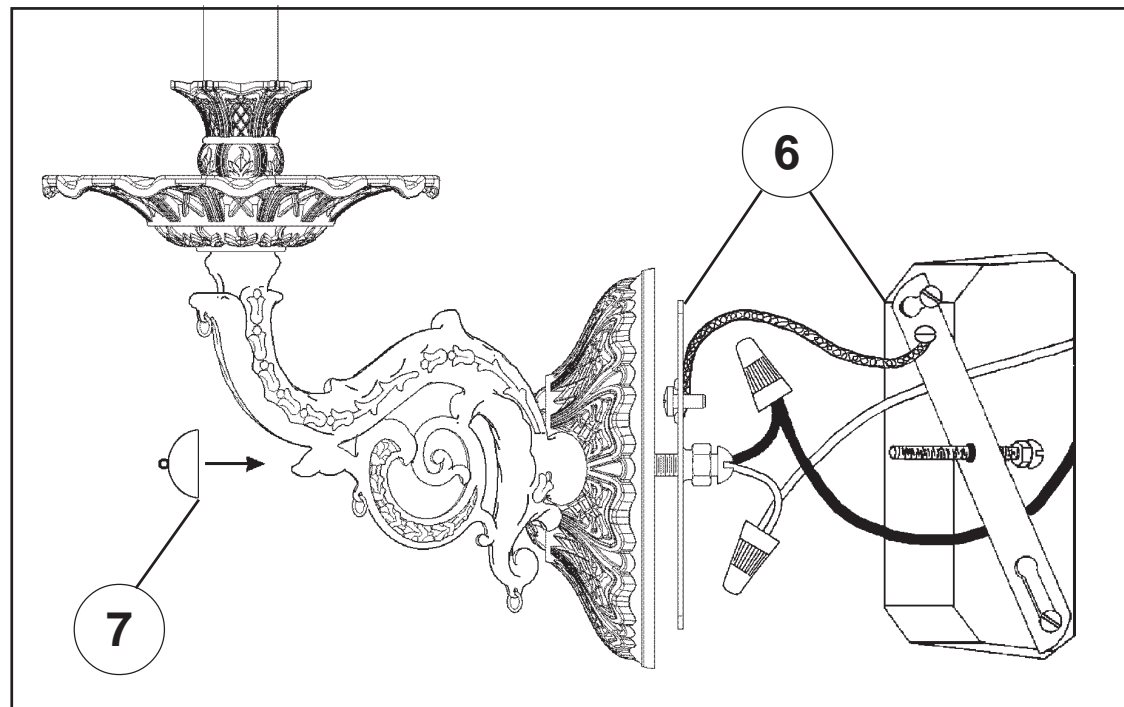
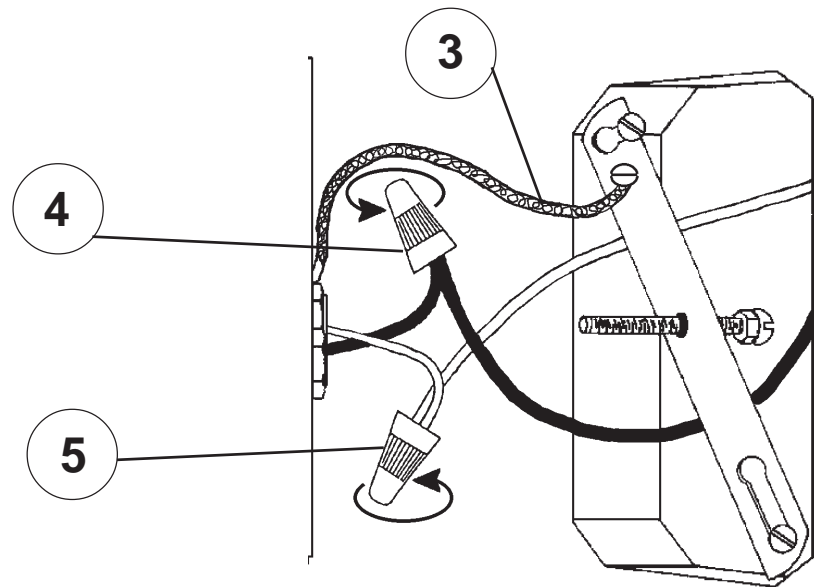
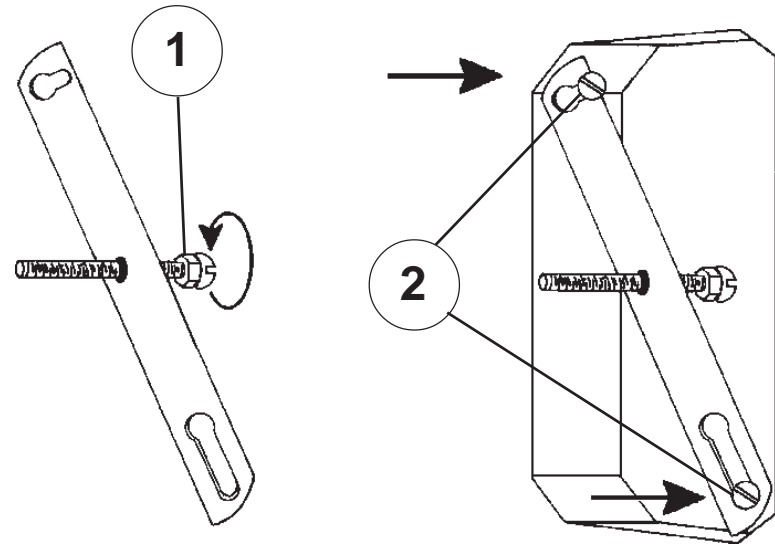


SCHONBEK®

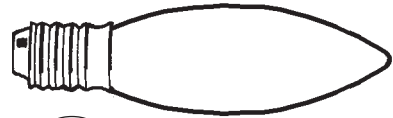
MAX <u>60</u> W		110-120 V						

SCHONBEK® is a member of the Swarovski group.

All electrical components must be installed by a licensed electrician in accordance with the National Electric Code and the appropriate local electrical codes.





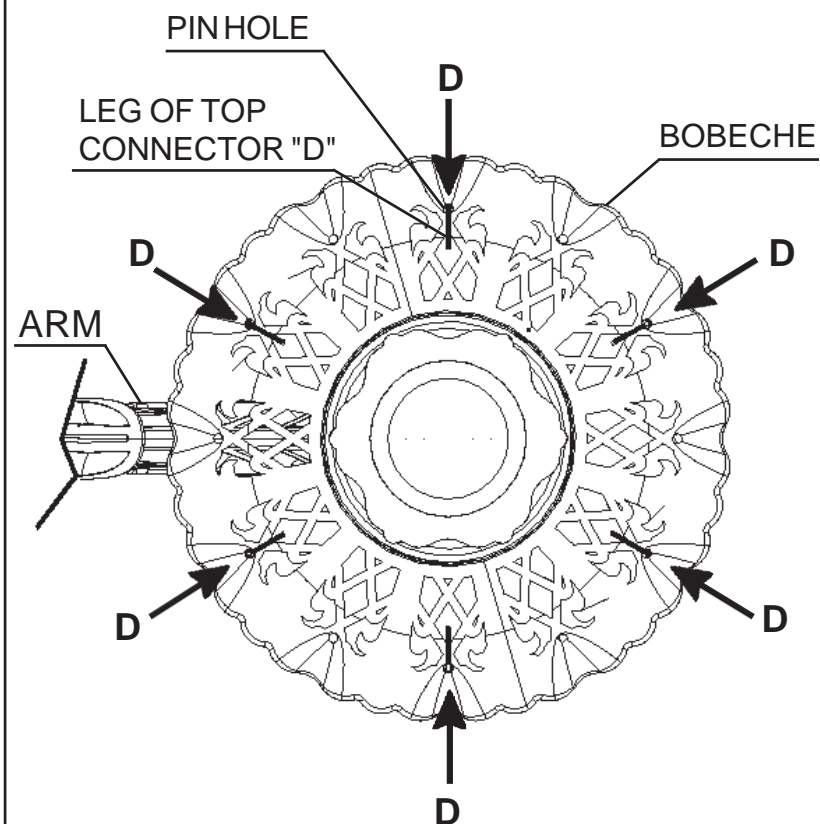


8

You will need 2 - B10
25 Watts Recommended
60 Watts Max

Install bulb and be sure
to test fixture BEFORE
trimming.

DIAGRAM #1



When trimming bobeche with letter "D", insert leg of top connector into pin hole from under bobeche. Hang in every other pin hole starting on either side of the arm (refer to Diagram #1)

