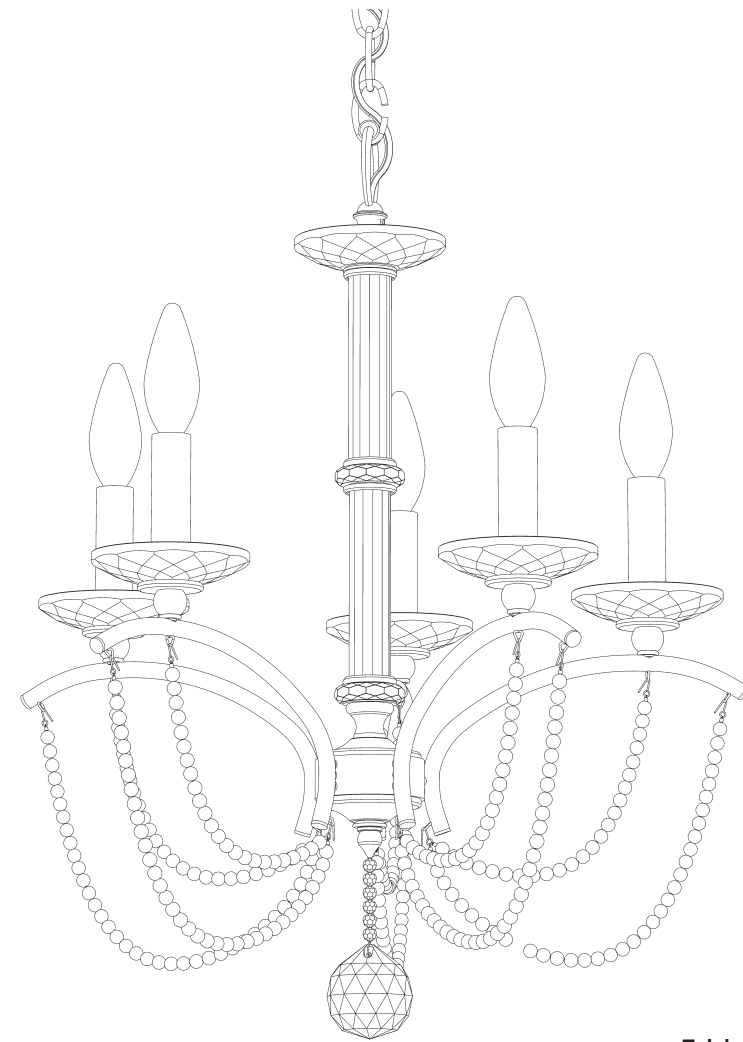


PRISCILLA BC7105N- \_\_ \_\_ P \_\_ \_\_



5 Lights  
Diameter: 18"  
Height: 22"  
Hanging Weight: 6lbs.

**T**HIS DESIGN IS THE PROPRIETARY  
TRADE DRESS/TRADEMARK OF  
SWAROVSKI LIGHTING, LTD.

**SCHONBEK**

**1870**

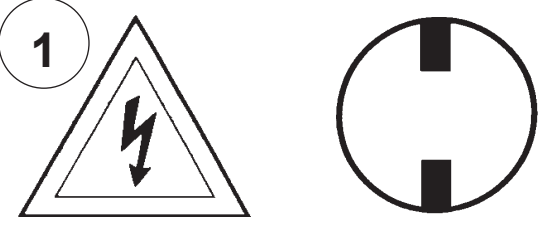
**SCHONBEK**

**1870**

MAX <u>60</u> W	110-120 V							

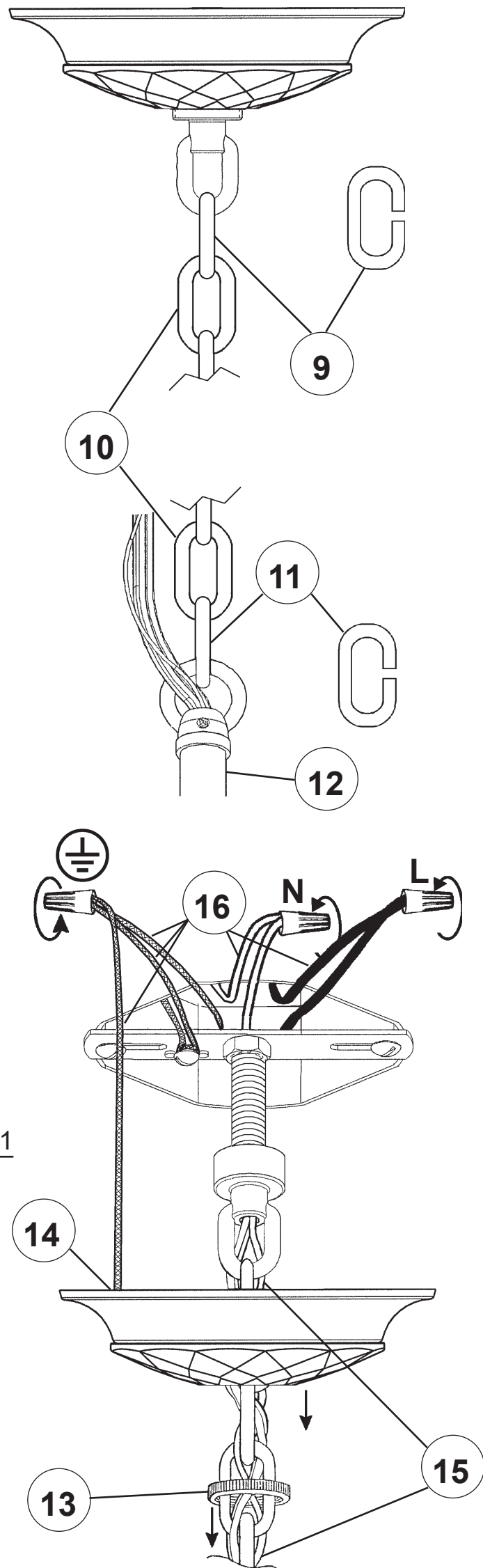
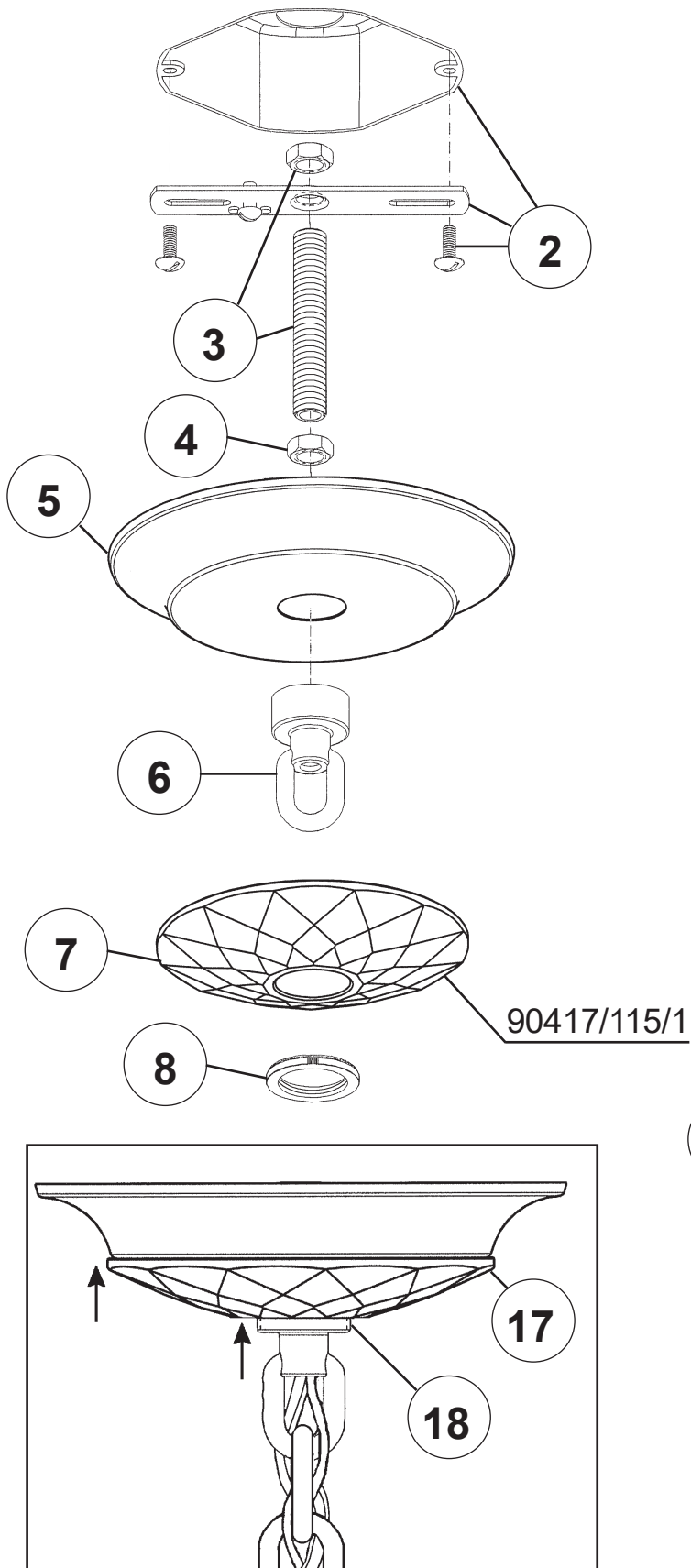
SCHONBEK® is a member of the Swarovski group.

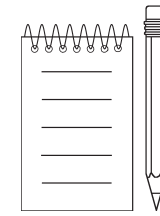
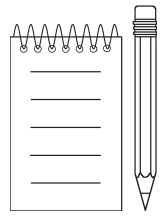
**WARNING:**

1 

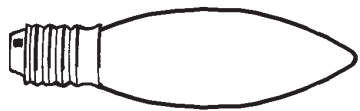
**Electrical Danger Turn Power Off**

All electrical components must be installed by a licensed electrician in accordance with the National Electric Code and the appropriate local electrical codes.



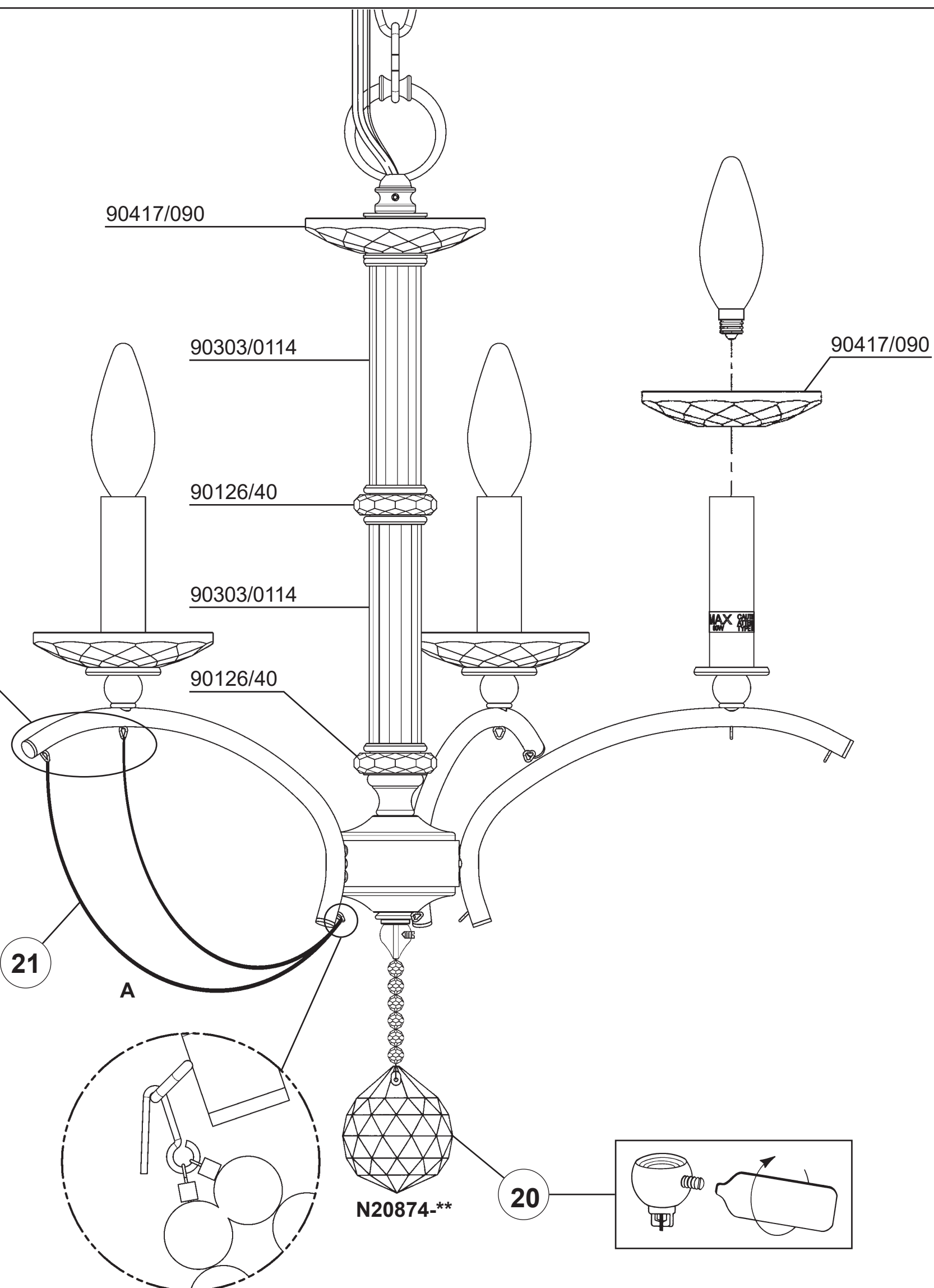
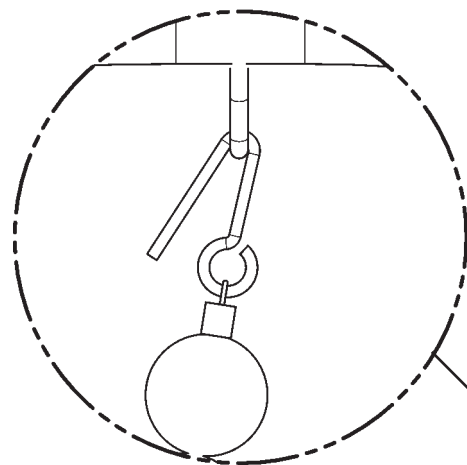


19



You will need 5 - B10  
60 Watts Max

Install bulbs and be sure to  
test fixture **BEFORE**  
trimming.



21

A

N20874-\*\*

20

