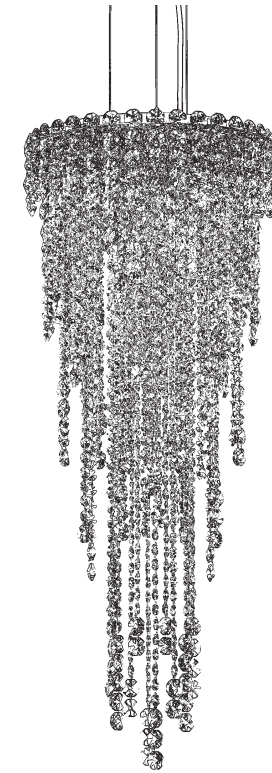




**SCHONBEK®**

**CHANTANT  
CH1212N- \_\_ \_\_ H**



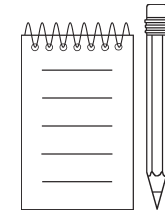
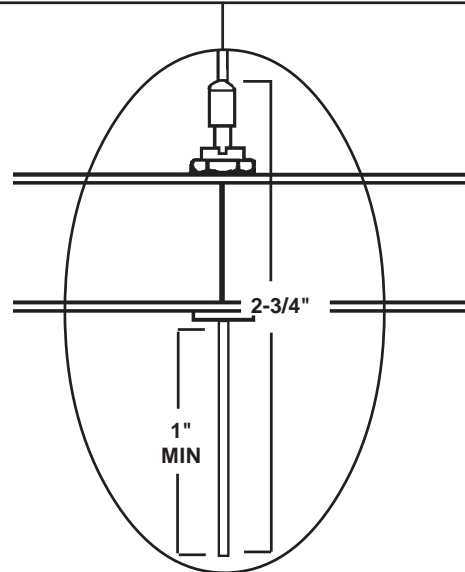
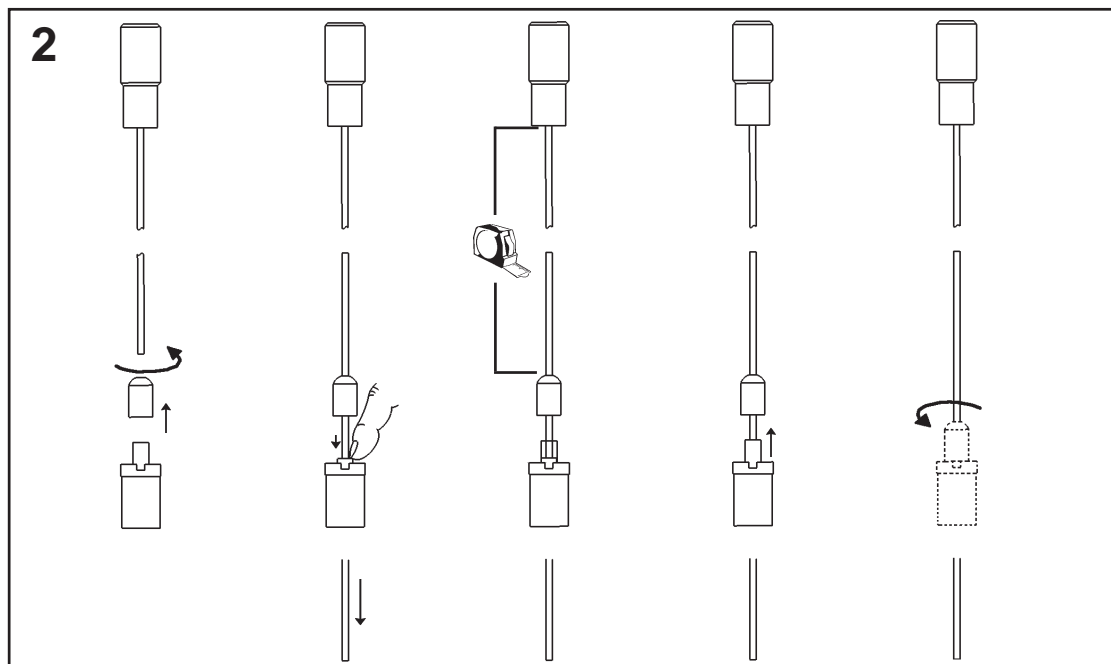
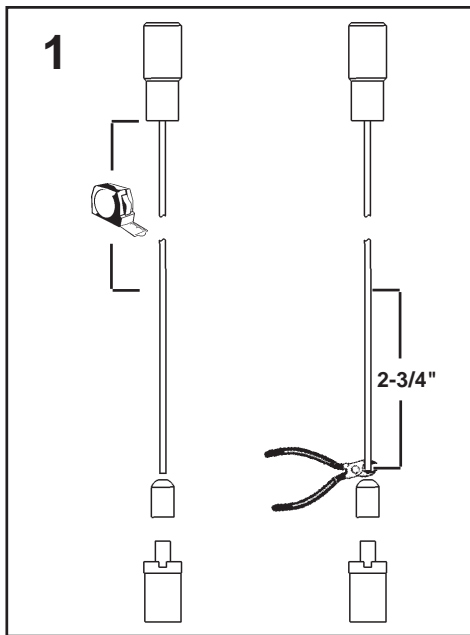
**T**HIS DESIGN IS THE PROPRIETARY TRADE DRESS/TRADE MARK OF SWAROVSKI LIGHTING, LTD.

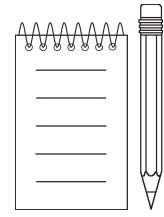
4 Lights  
Diameter: 14"  
Height: 35"  
Hanging Weight: 16lbs.



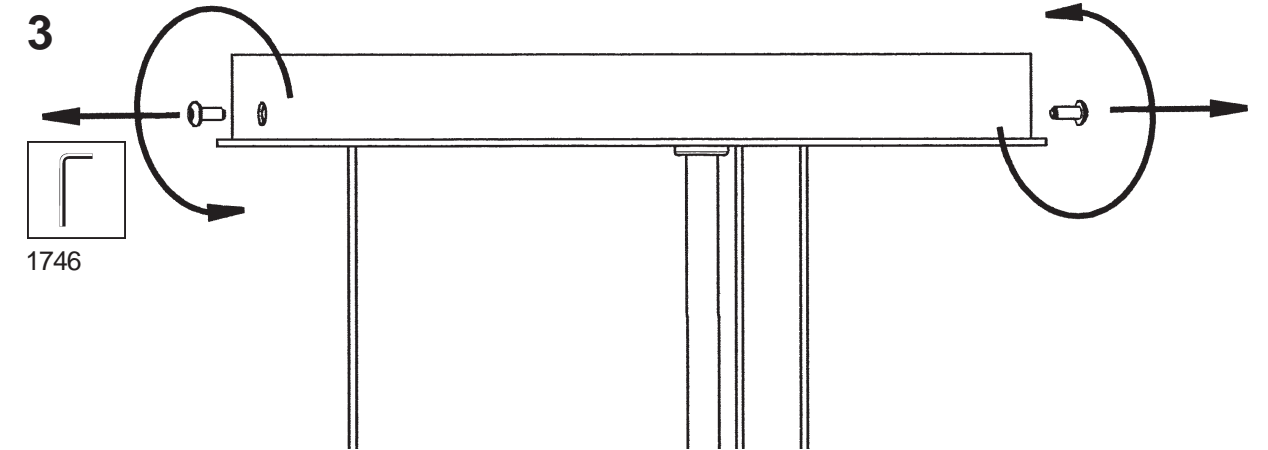
**SCHONBEK®**

MAX <u>50</u> W		110-120 V					



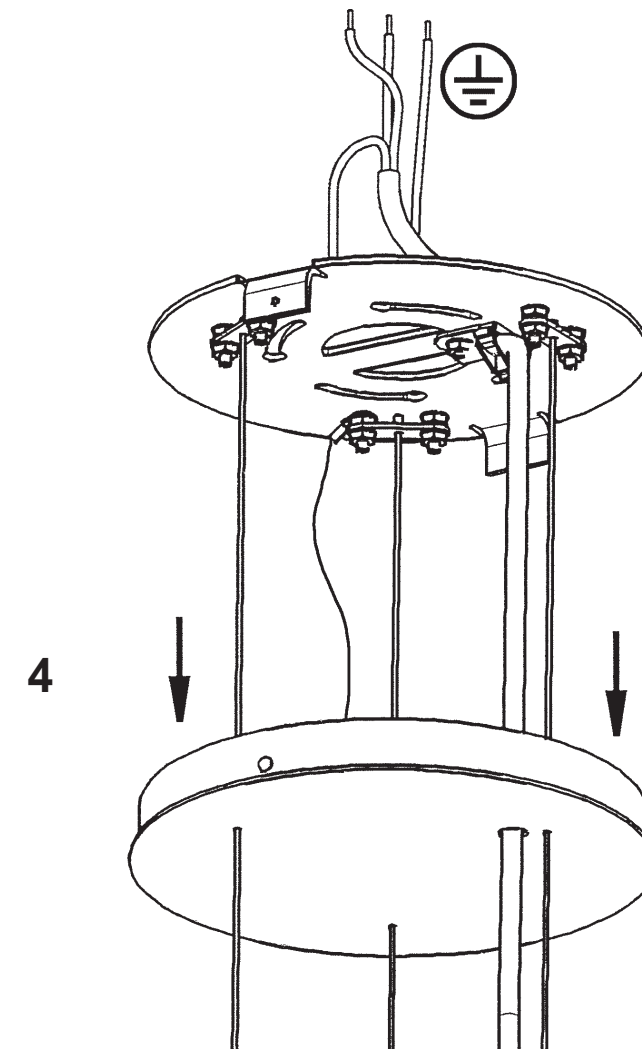


1X  : 1746

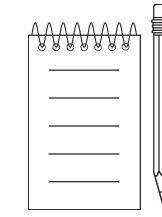
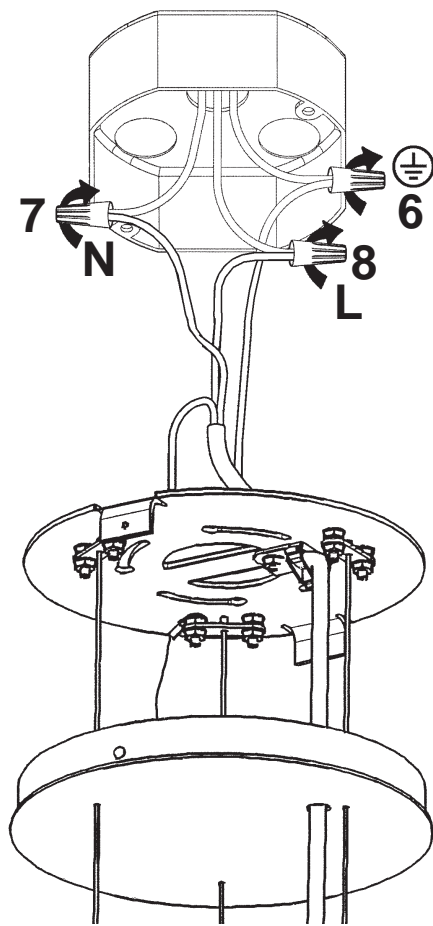
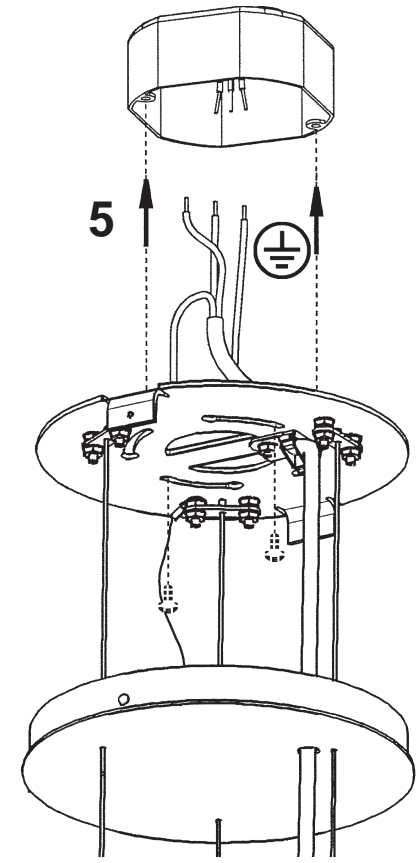


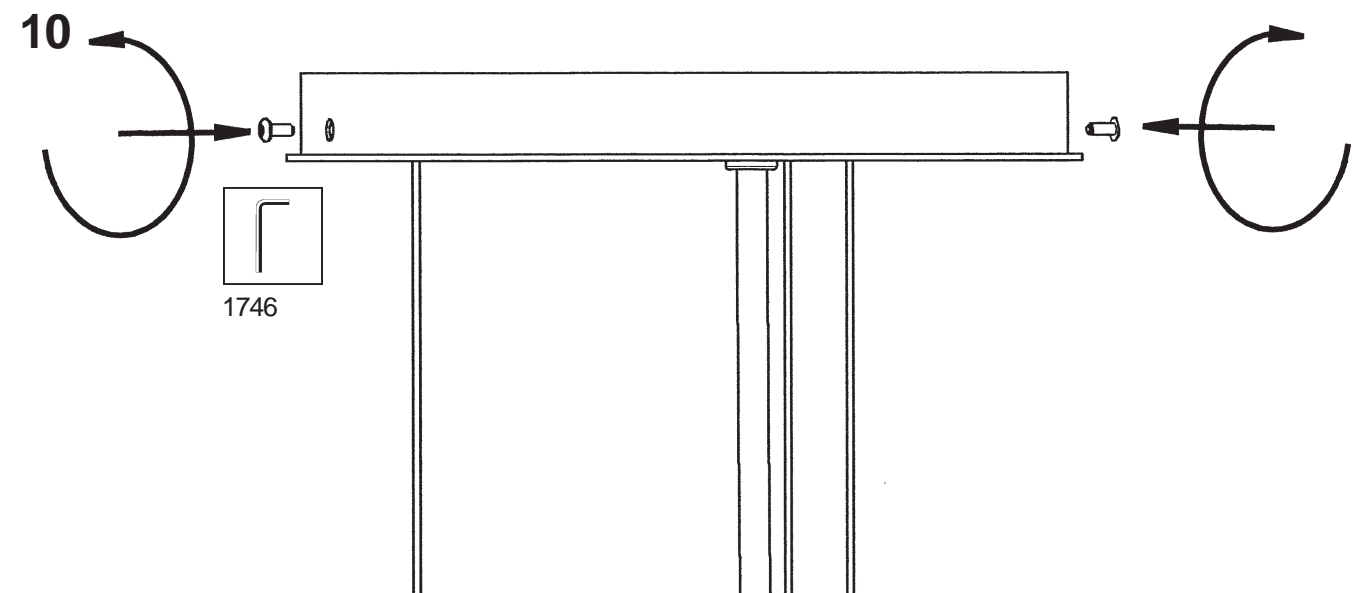
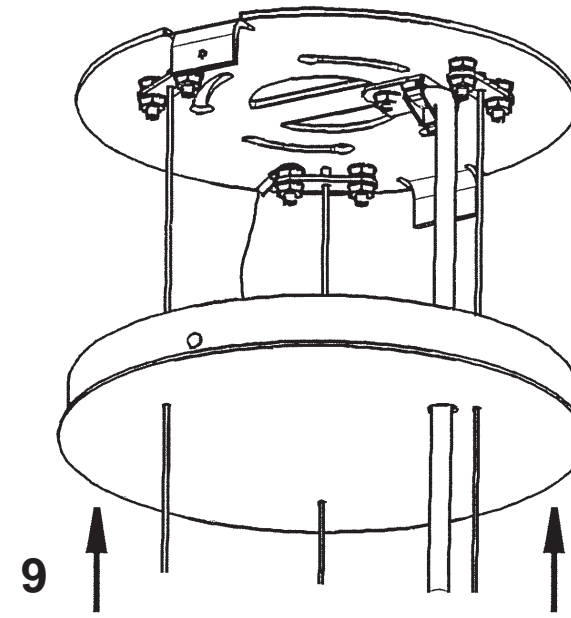
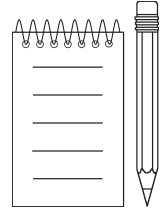
  
1746

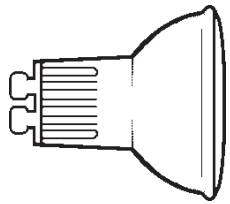

3

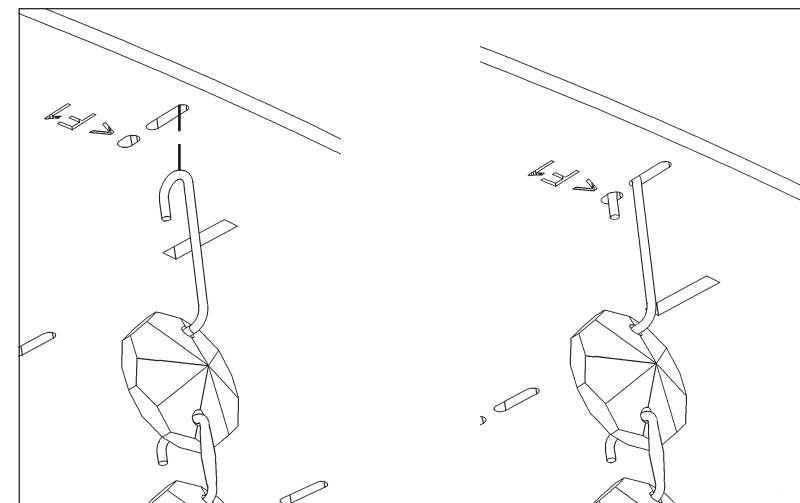
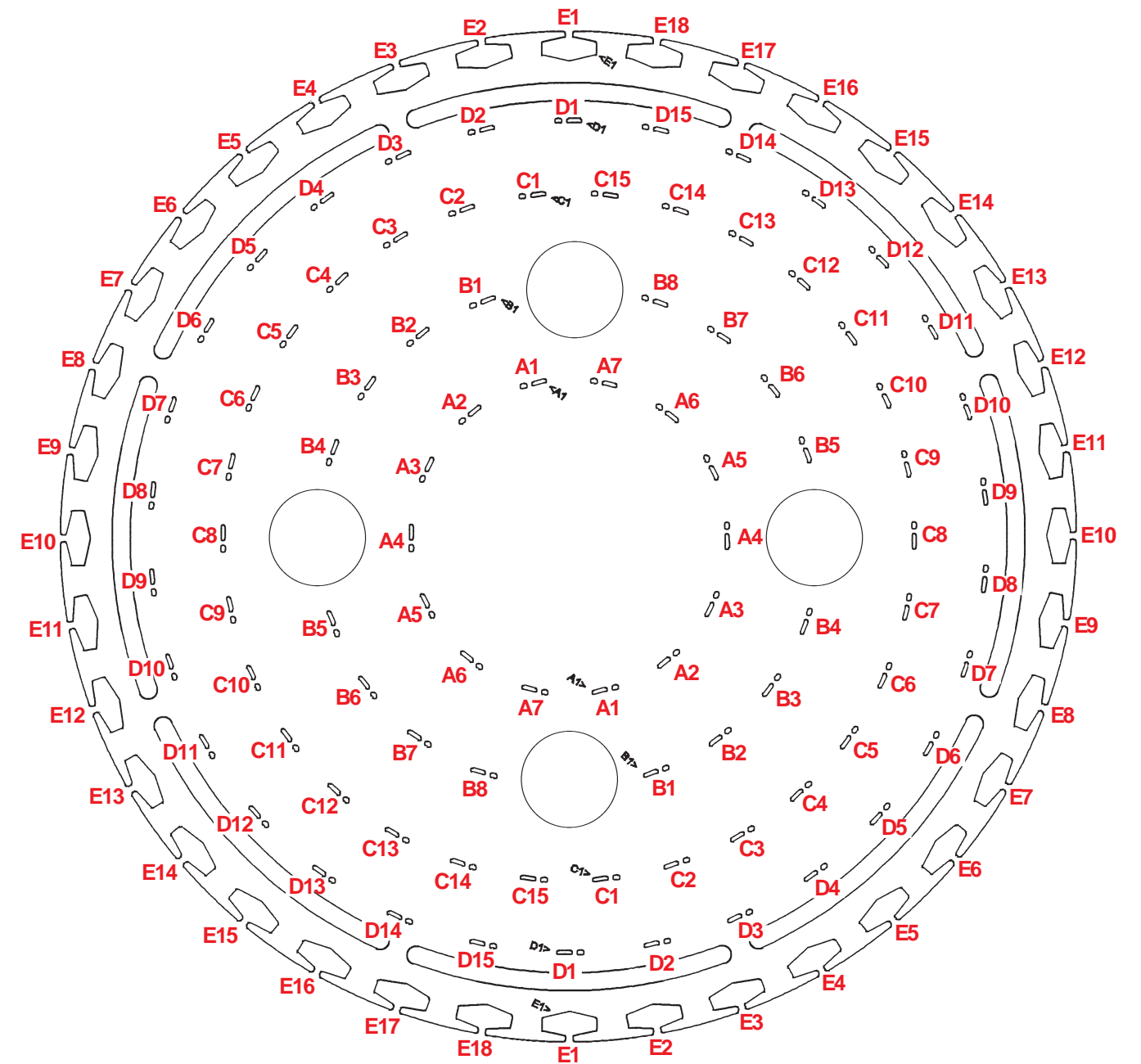
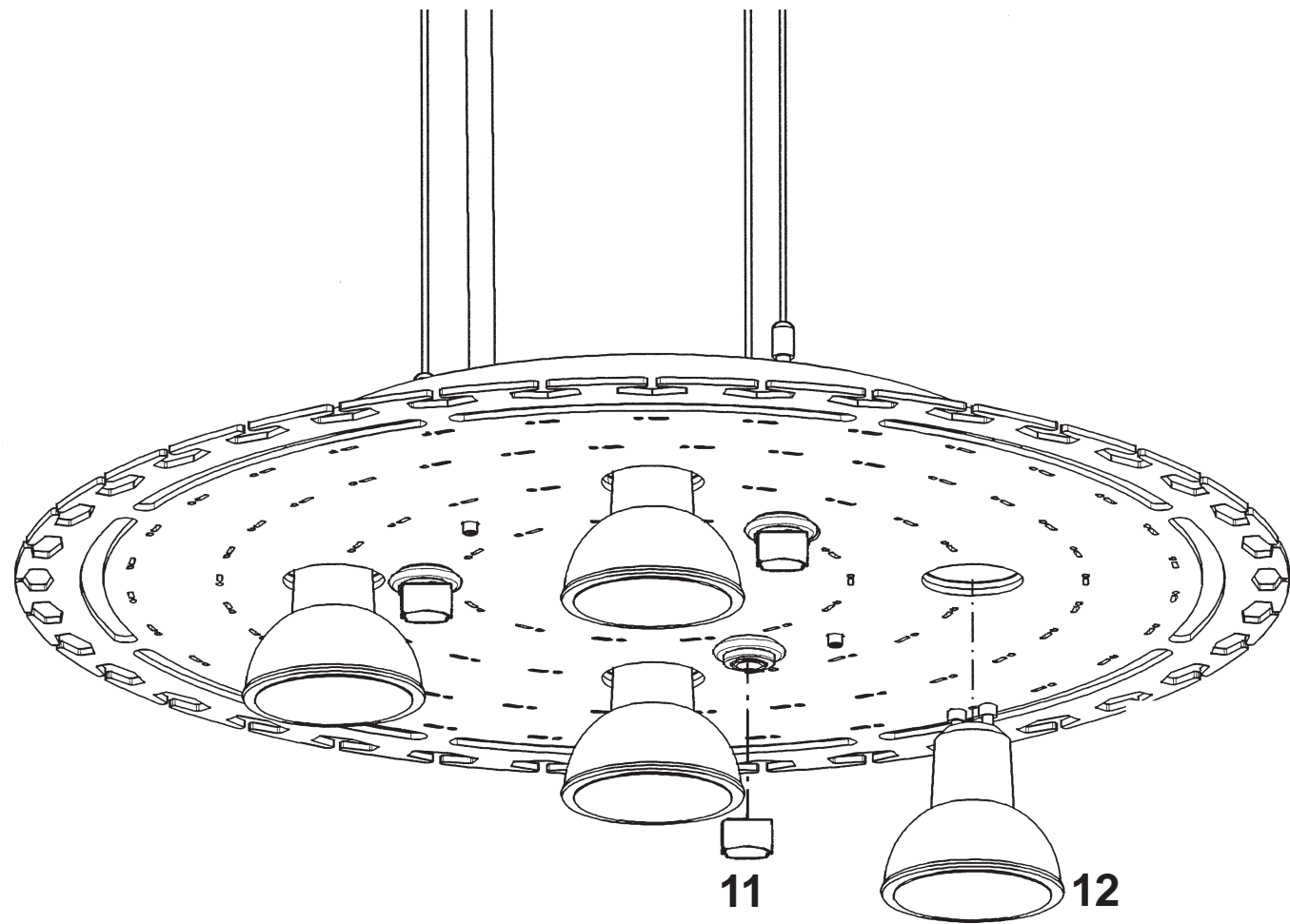


4





4 X  : GU10 50W MAX 



- 13** A1 - A7
- 14** B1 - B8
- 15** C1 - C15
- 16** D1 - D15
- 17** E1 - E18

After hanging all trim, remove labels from crystals. If residue remains, wipe off crystal with a soft, dry cloth.