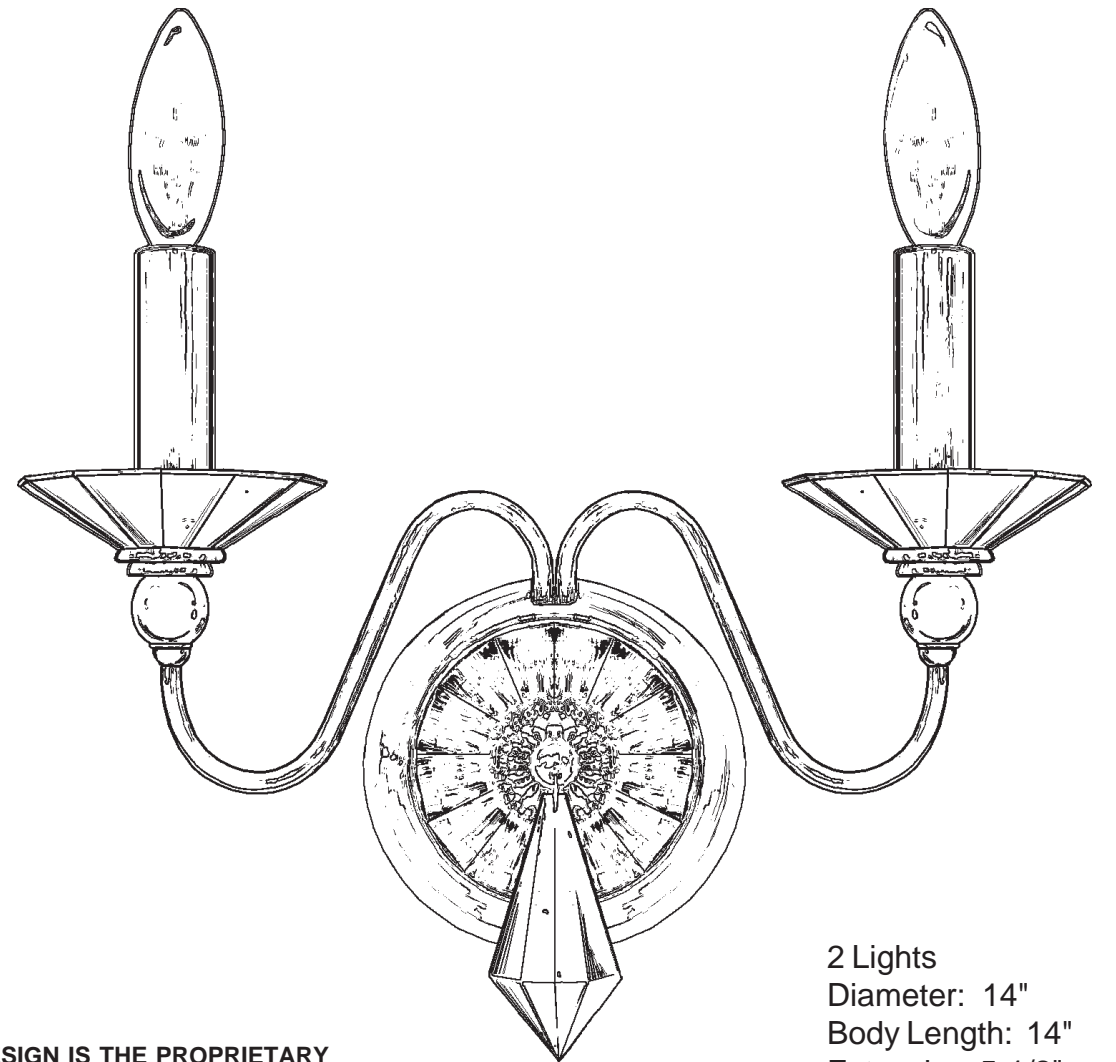




**SCHONBEK®**

**JASMINE 9672- \_\_\_\_\_**



2 Lights  
Diameter: 14"  
Body Length: 14"  
Extension: 5-1/2"  
Hanging Weight: 3 lbs.

**T**HIS DESIGN IS THE PROPRIETARY TRADE DRESS/TRADemark OF SWAROVSKI LIGHTING, LTD.

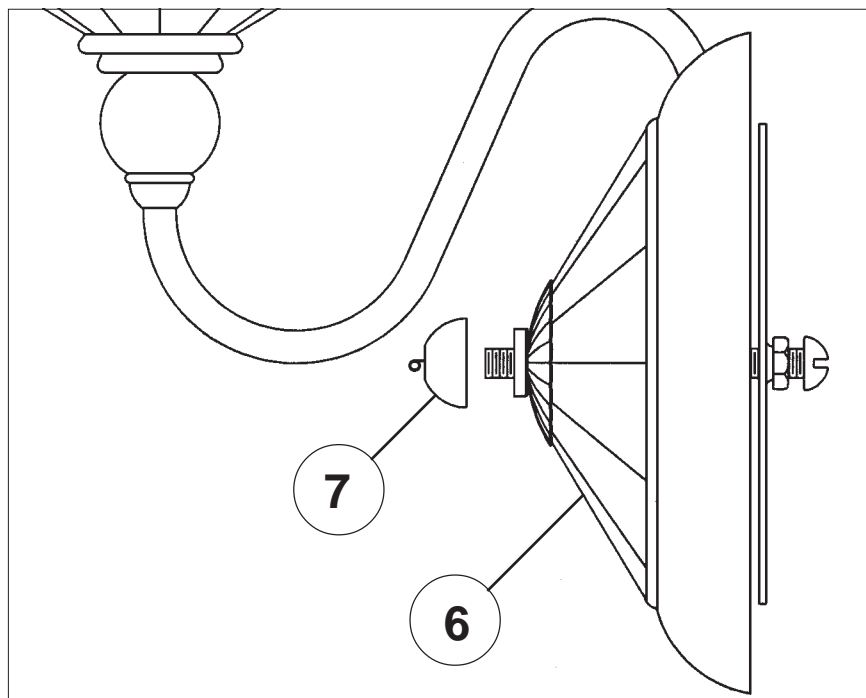
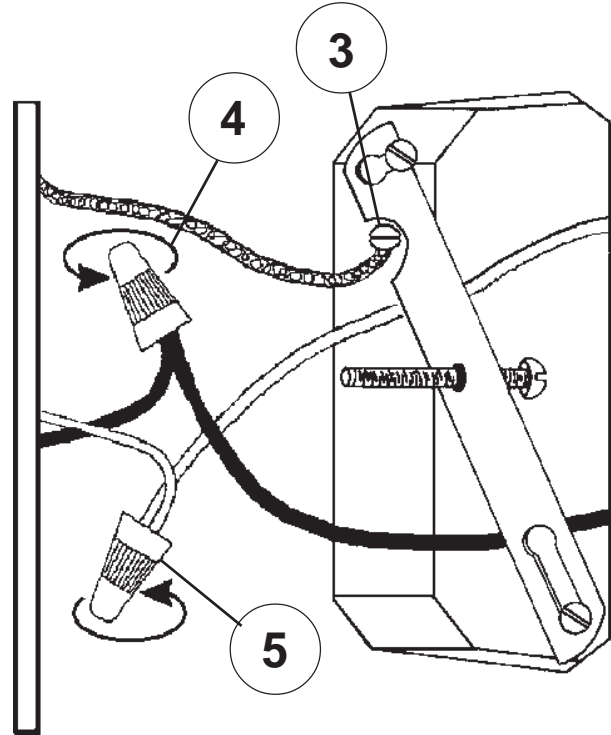
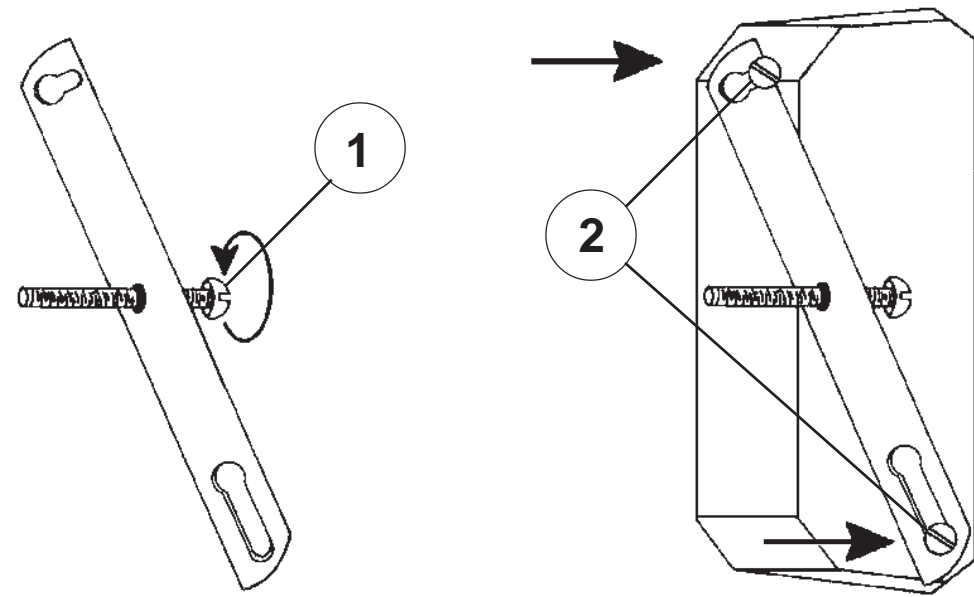


**SCHONBEK®**

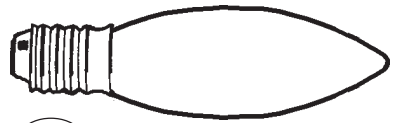
MAX 60 W		110-120 V					

SCHONBEK® is a member of the Swarovski group.

All electrical components must be installed by a licensed electrician in accordance with the National Electric Code and the appropriate local electrical codes.







8

You will need 2 - B10  
25 Watts Recommended  
60 Watts Max

**Install bulb and be sure  
to test fixture BEFORE  
trimming.**

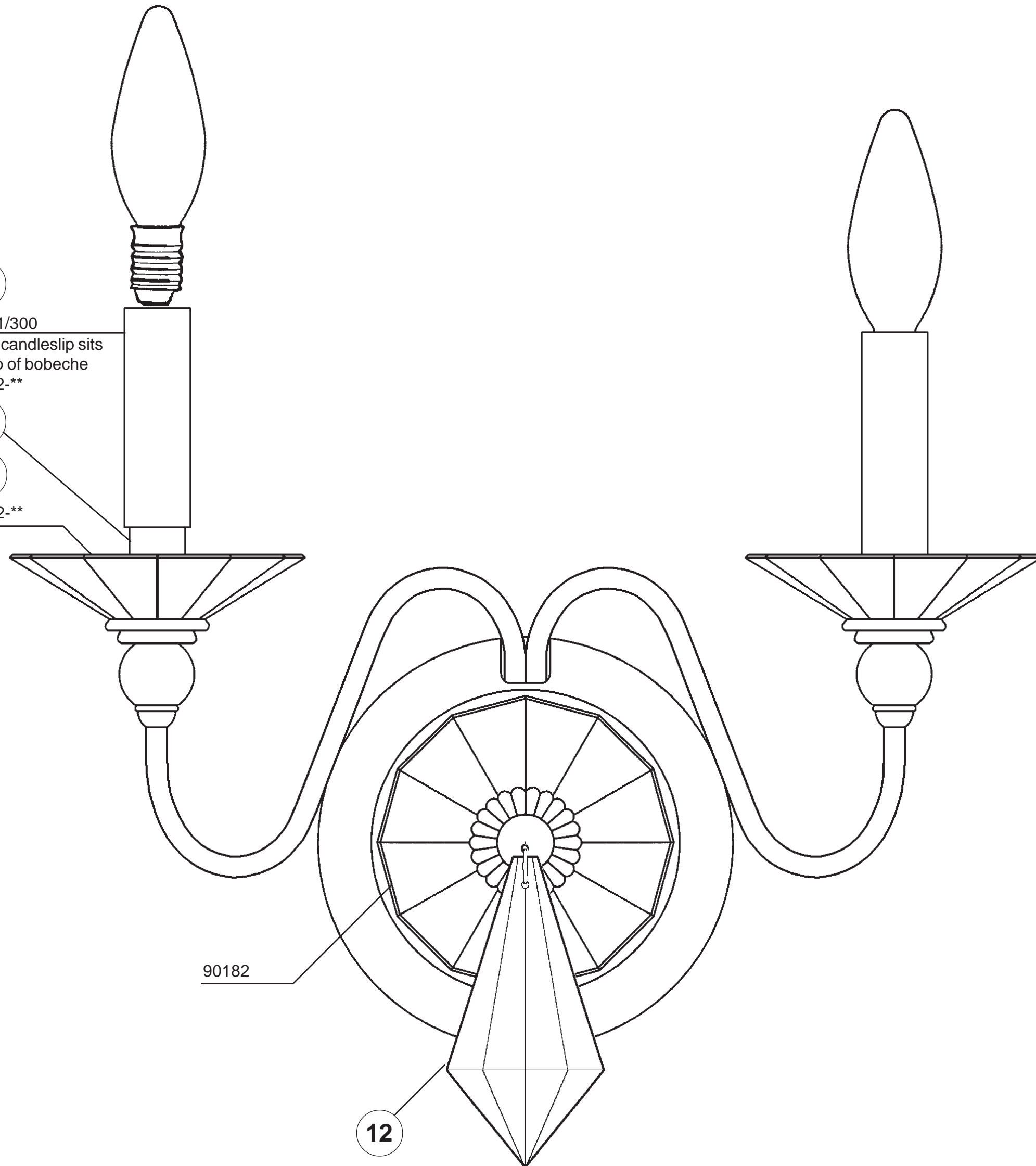
11

90191/300  
glass candleslip sits  
on top of bobèche  
90182-\*\*

10

9

90182-\*\*



90182

12

N10144-\*\*

