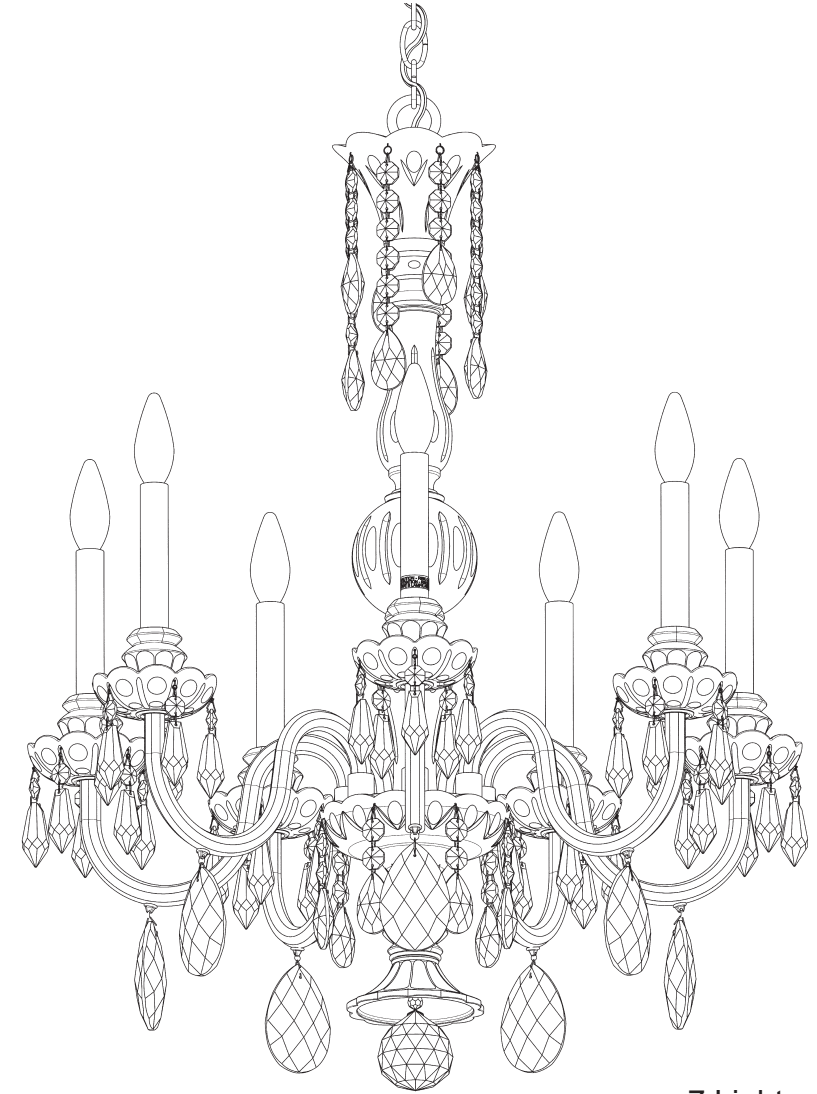


# SCHONBEK

1870

# NOUVEAU HAMILTON HA5806N- \_\_ \_\_ H



**T**HIS DESIGN IS THE PROPRIETARY TRADE DRESS/TRADEMARK OF SWAROVSKI LIGHTING, LTD.

7 Lights  
Diameter: 26"  
Body Length: 32-1/2"  
Hanging Weight: 21lbs.

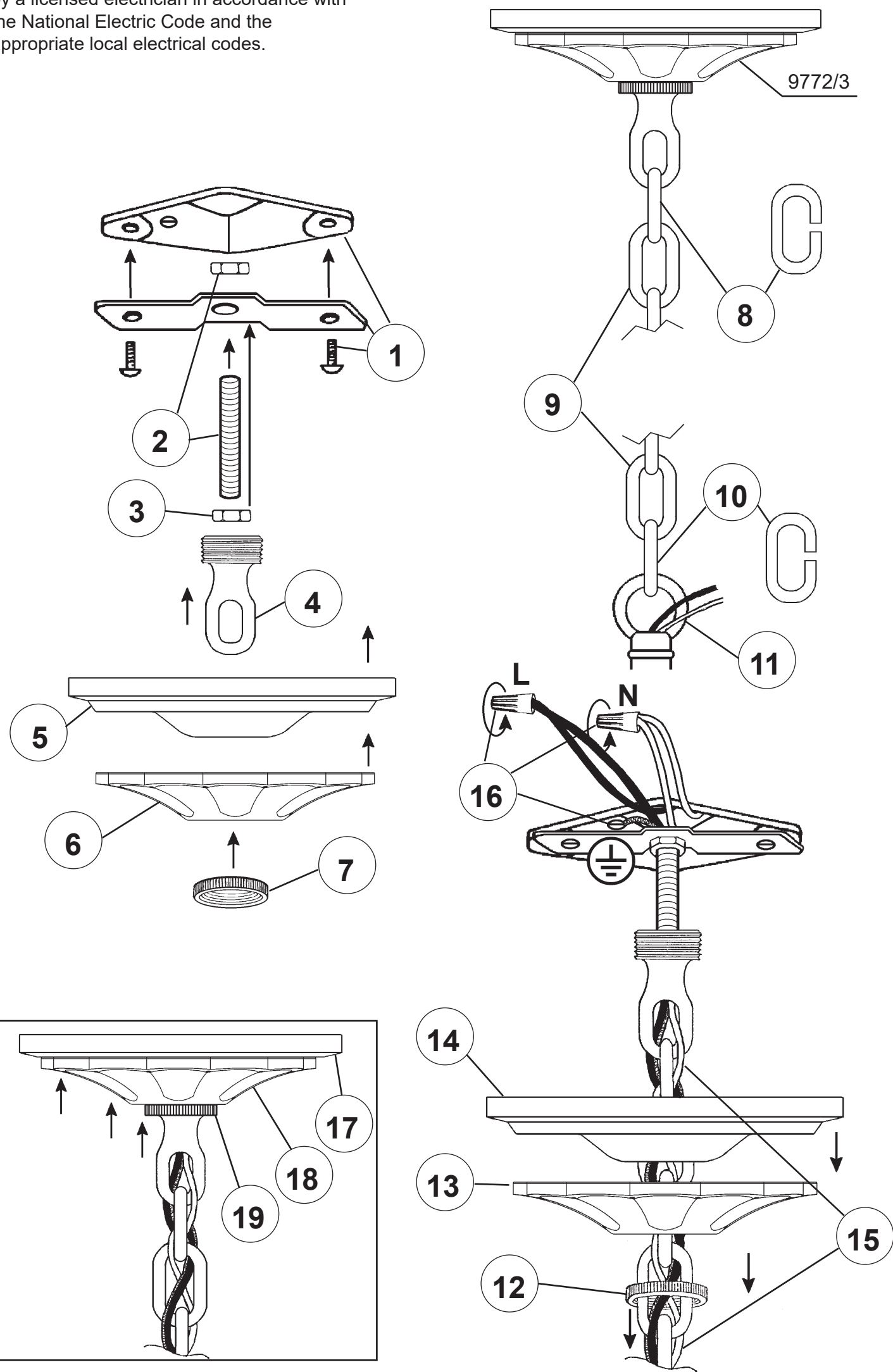
# SCHONBEK

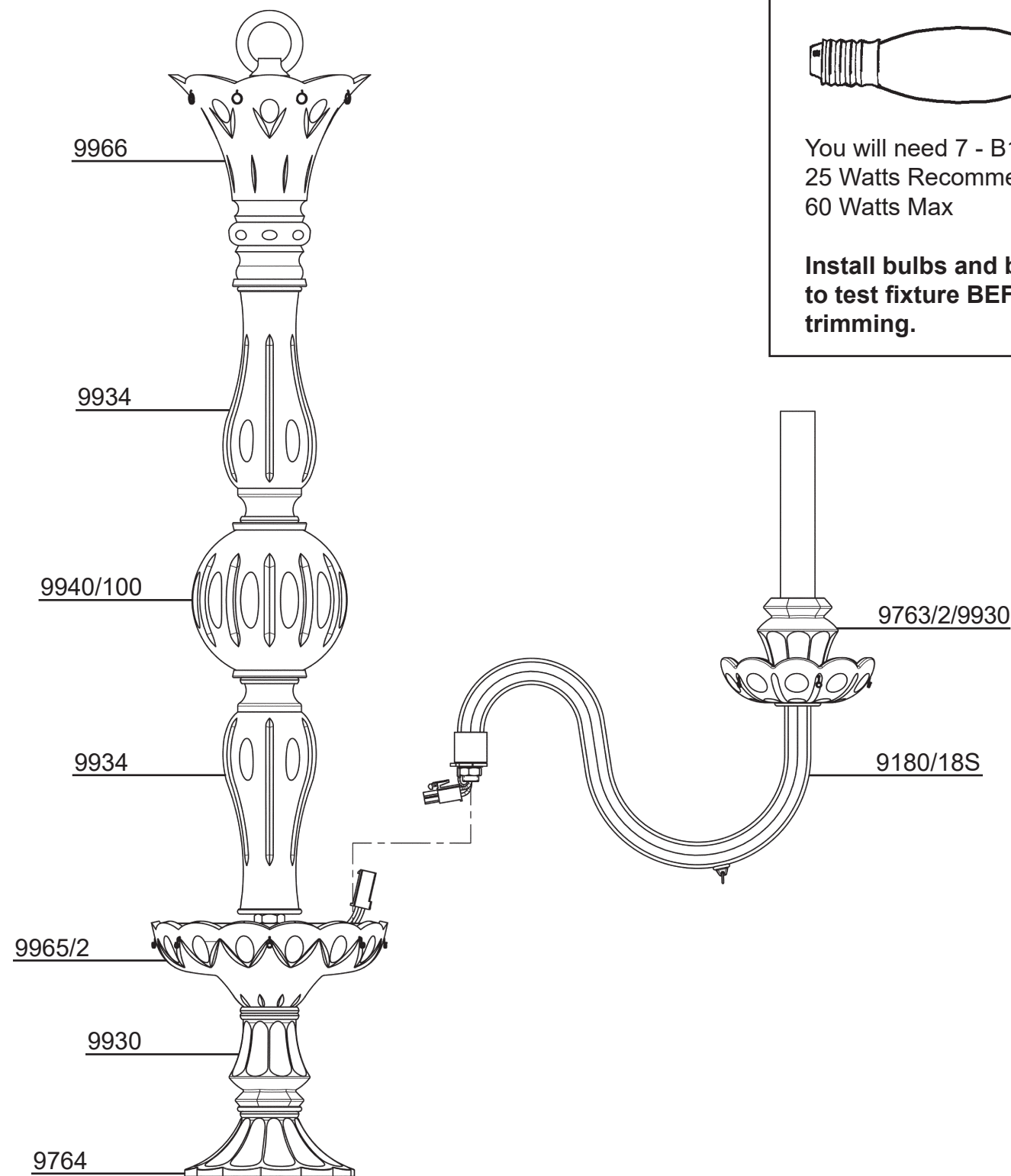
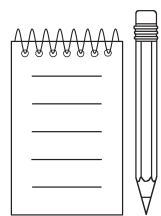
1870

MAX 60 W	110-120 V							

SCHONBEK® is a member of the Swarovski group.

All electrical components must be installed by a licensed electrician in accordance with the National Electric Code and the appropriate local electrical codes.

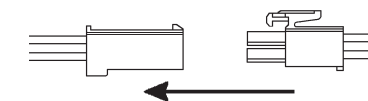




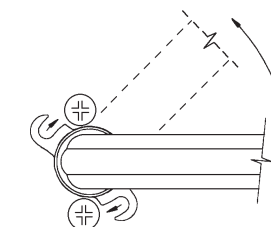
You will need 7 - B10  
25 Watts Recommended  
60 Watts Max

**Install bulbs and be sure  
to test fixture BEFORE  
trimming.**

**20** Connect arm wires using plug-in connectors. See detailed illustration.



**21** Push wires into hole and attach arm to washer by rotating arm into place. Lock down by tightening screws into flange. See detailed illustration.



**22** Install bobèche on every arm and screw bulbs into all sockets. Connect power and test fixture before trimming. If any of the bulbs do NOT light - DISCONNECT POWER. Double check the wire connections.

ALTERNATE HANGING  
LETTERS "A" AND "B"

