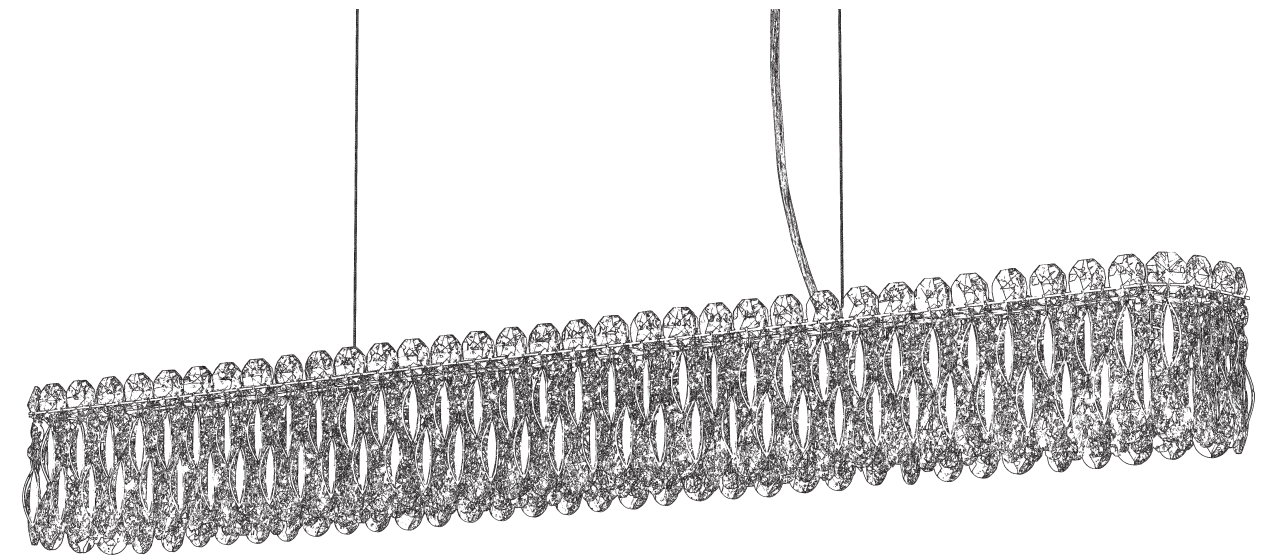


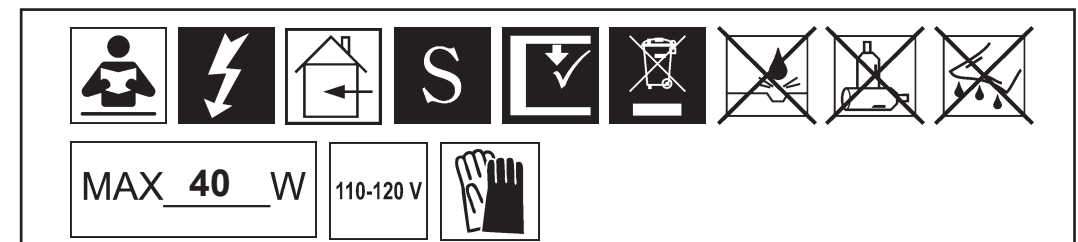


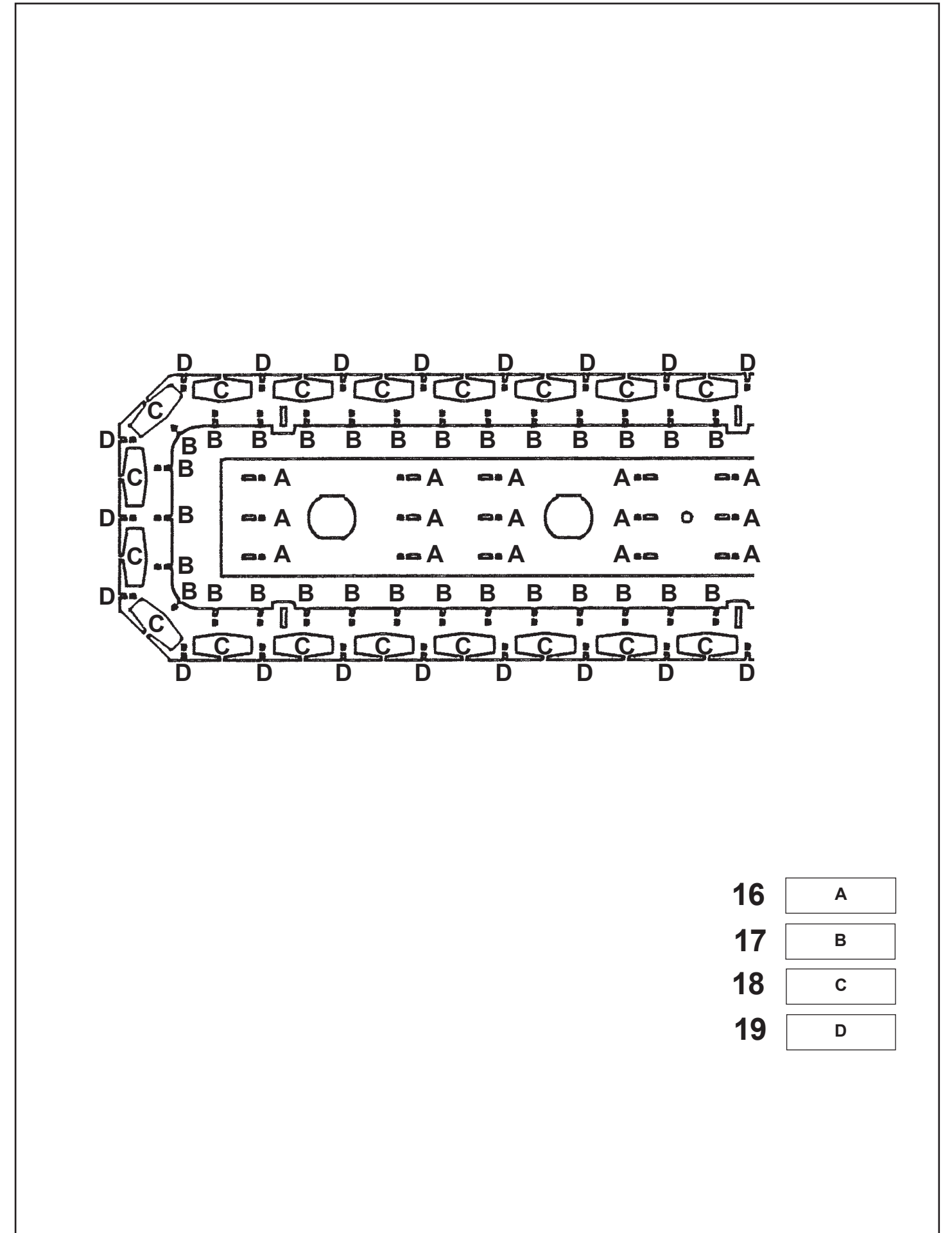
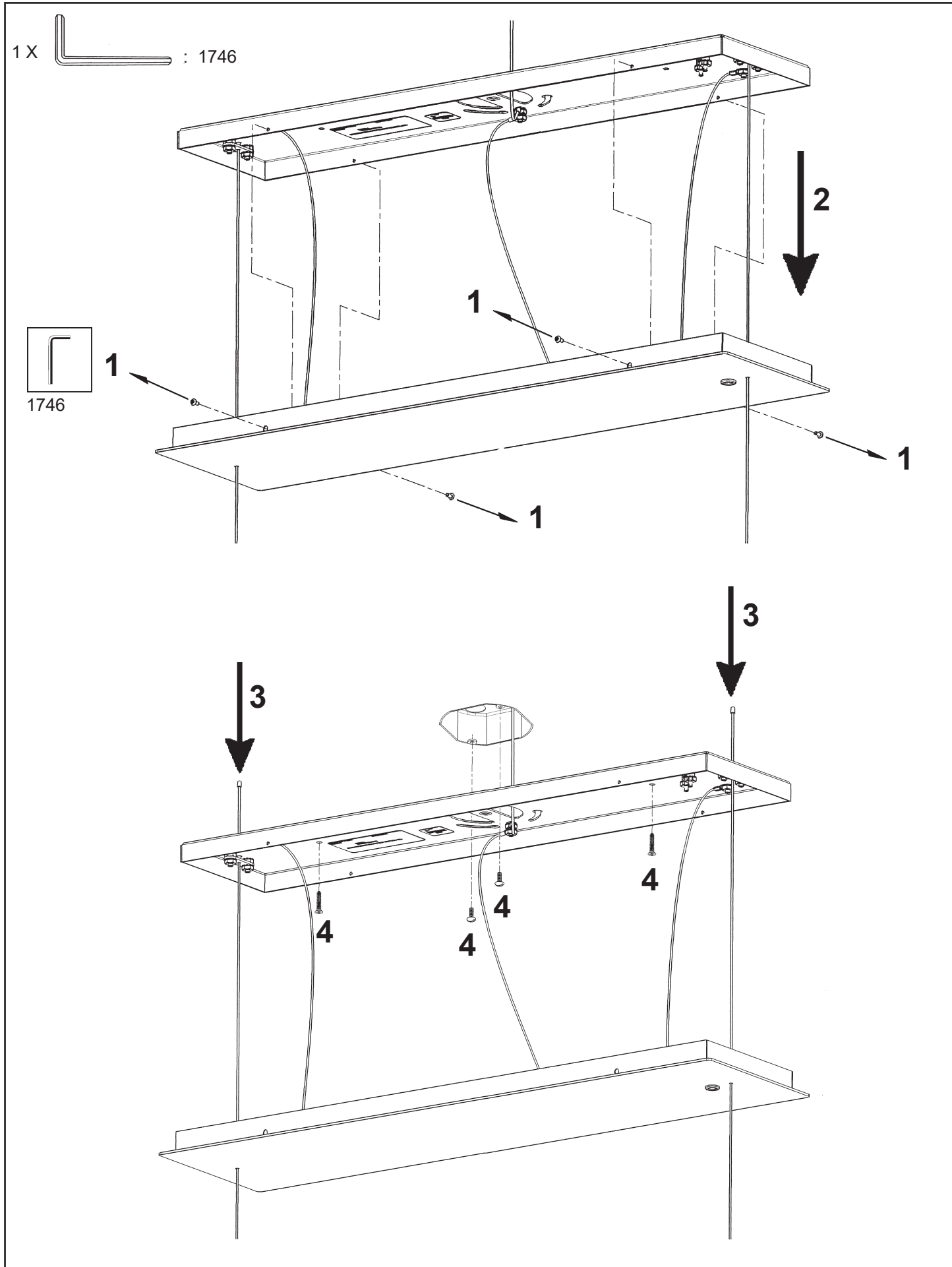
SARELLA  
RS8352N- \_\_ \_\_ H

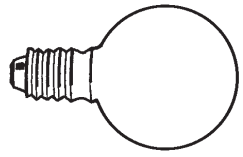


**T**HIS DESIGN IS THE PROPRIETARY  
TRADE DRESS/TRADEMARK OF  
W SCHONBEK LLC.

11 Lights  
Length: 47-1/2"  
Width: 5"  
Height: 5-1/2"  
Hanging Weight: 23lbs.

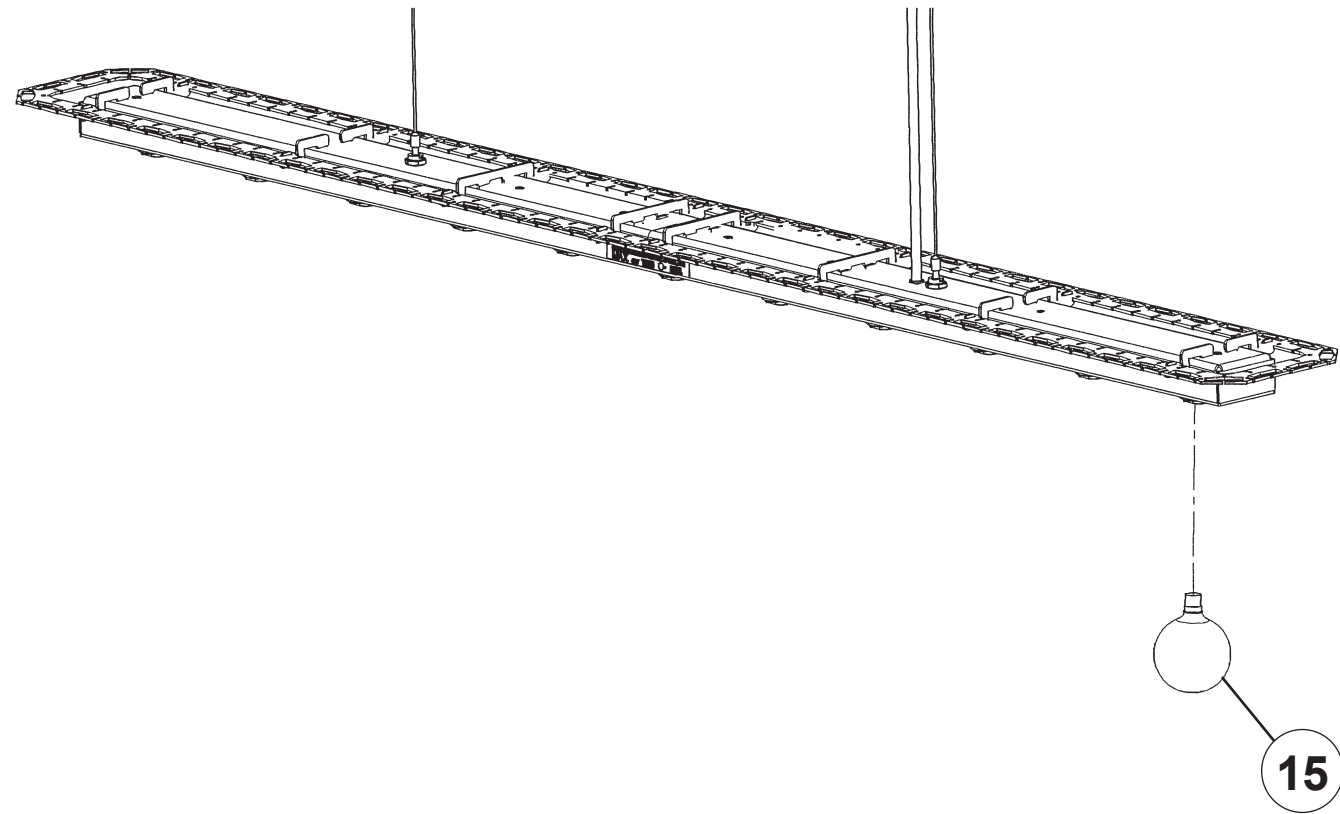




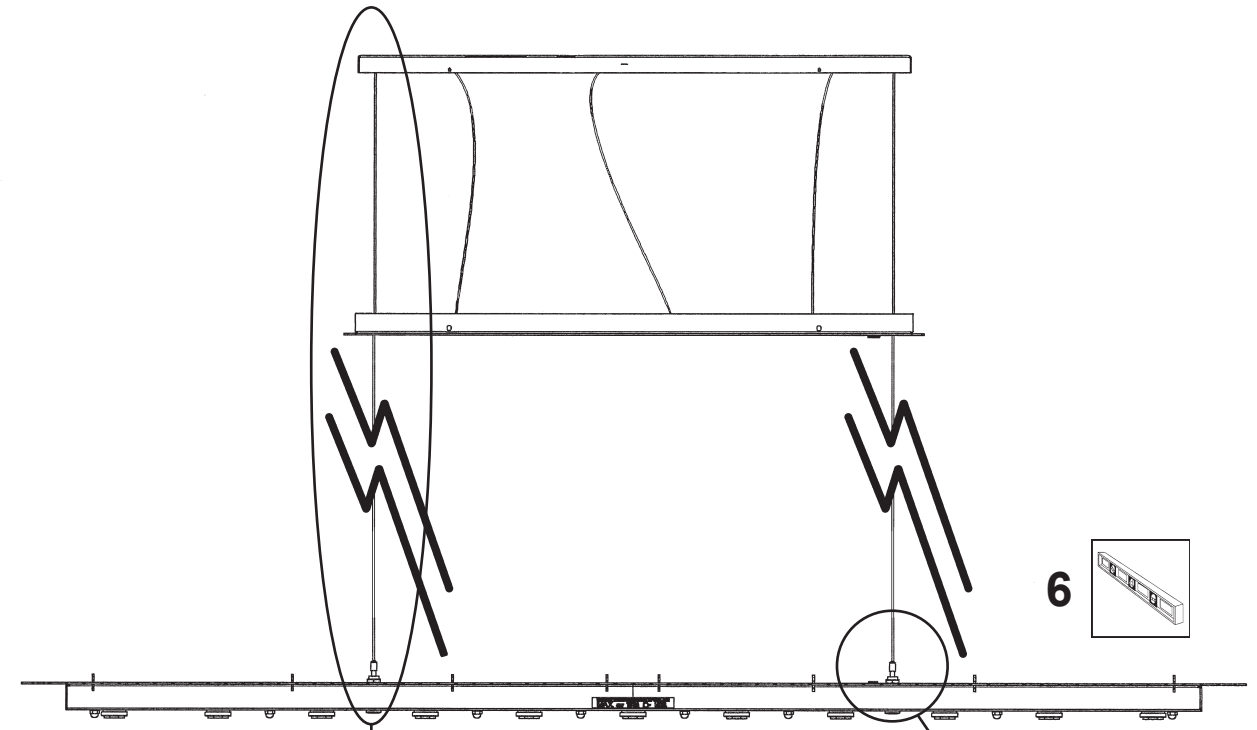


You will need 11 - G16-1/2 Bulbs  
40 Watts Max

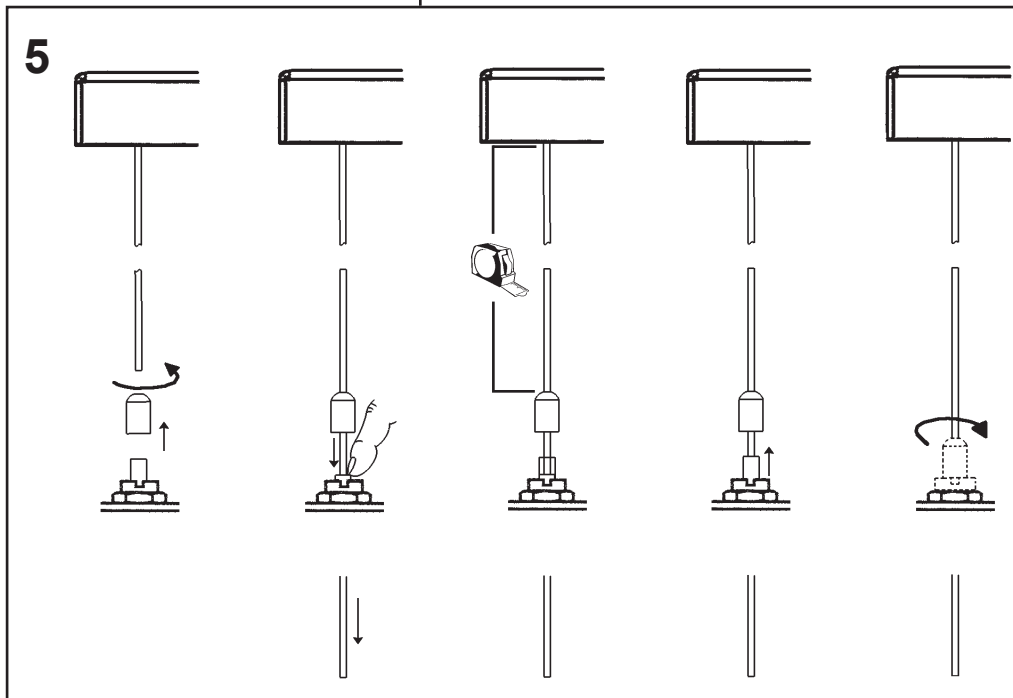
Install bulbs and be sure to  
test fixture **BEFORE** trimming.



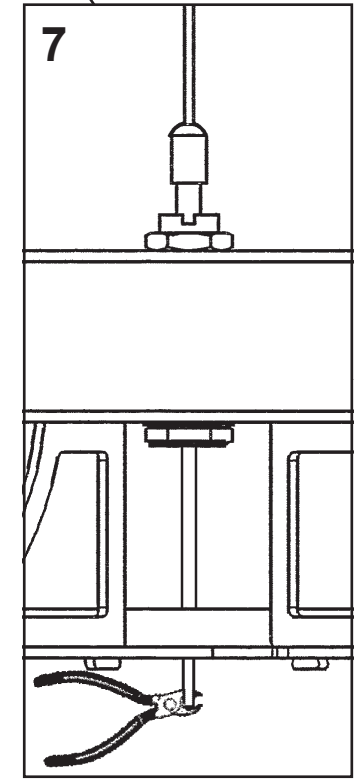
15



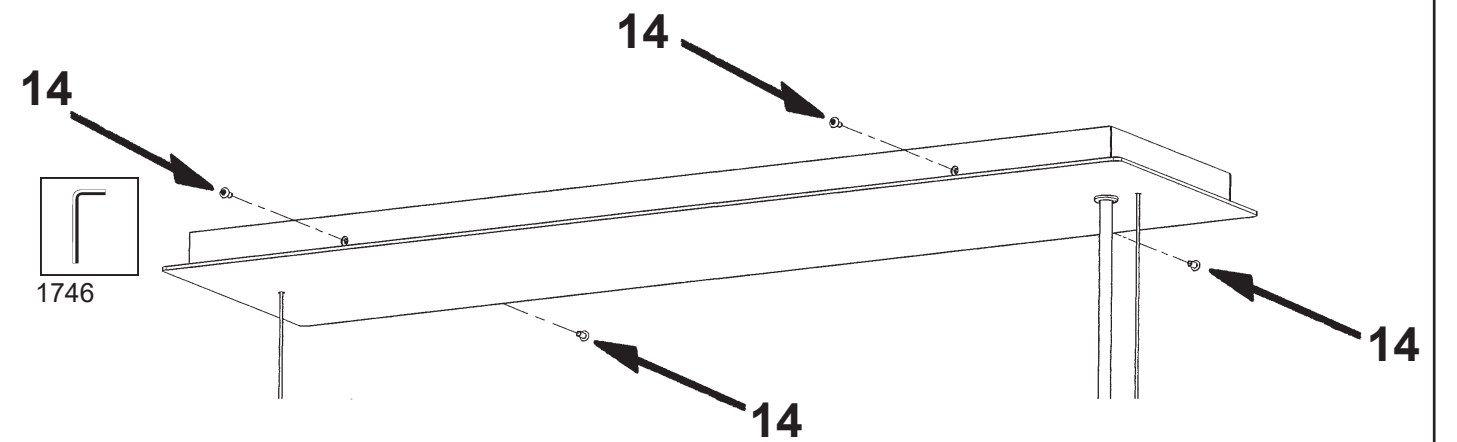
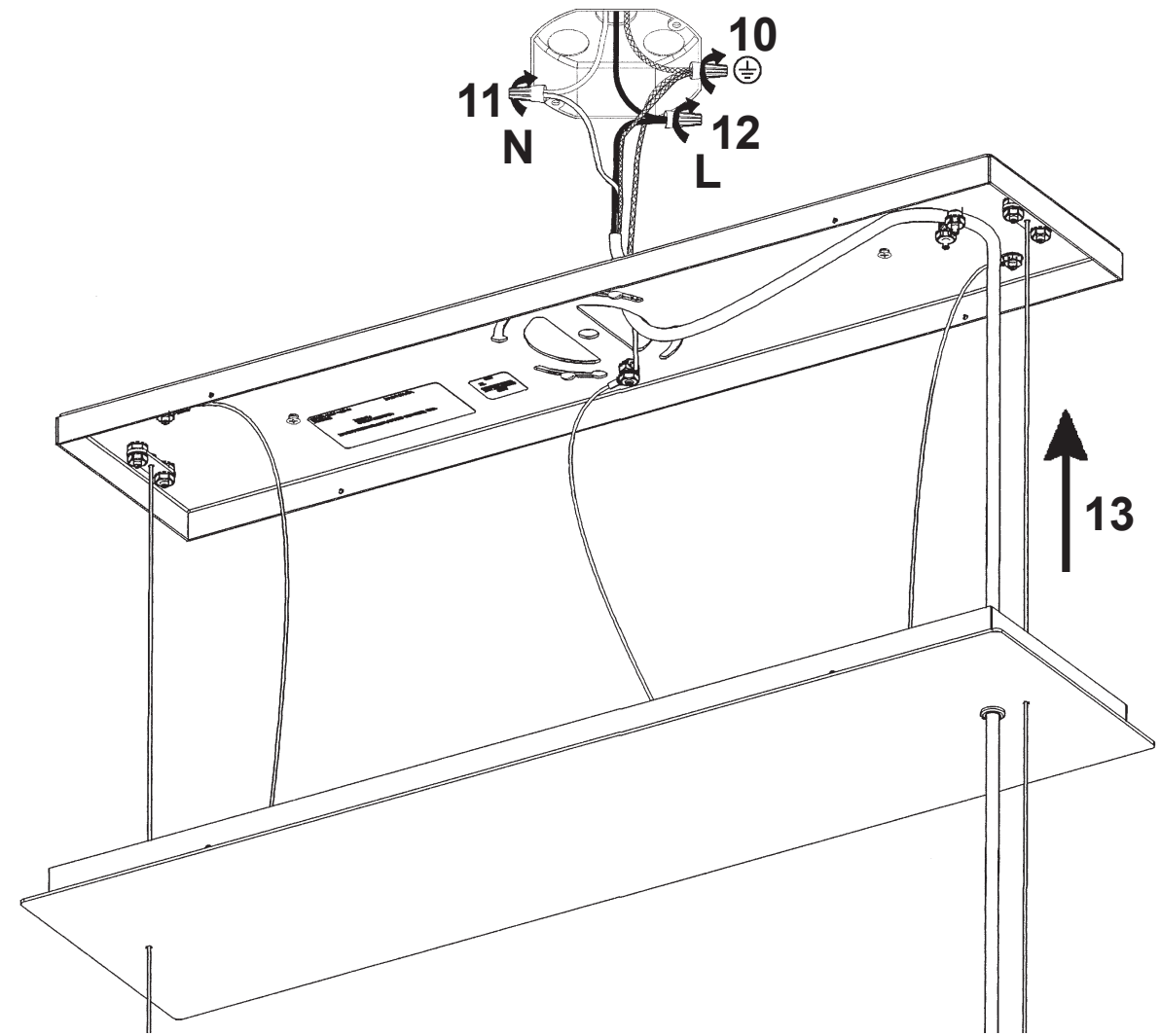
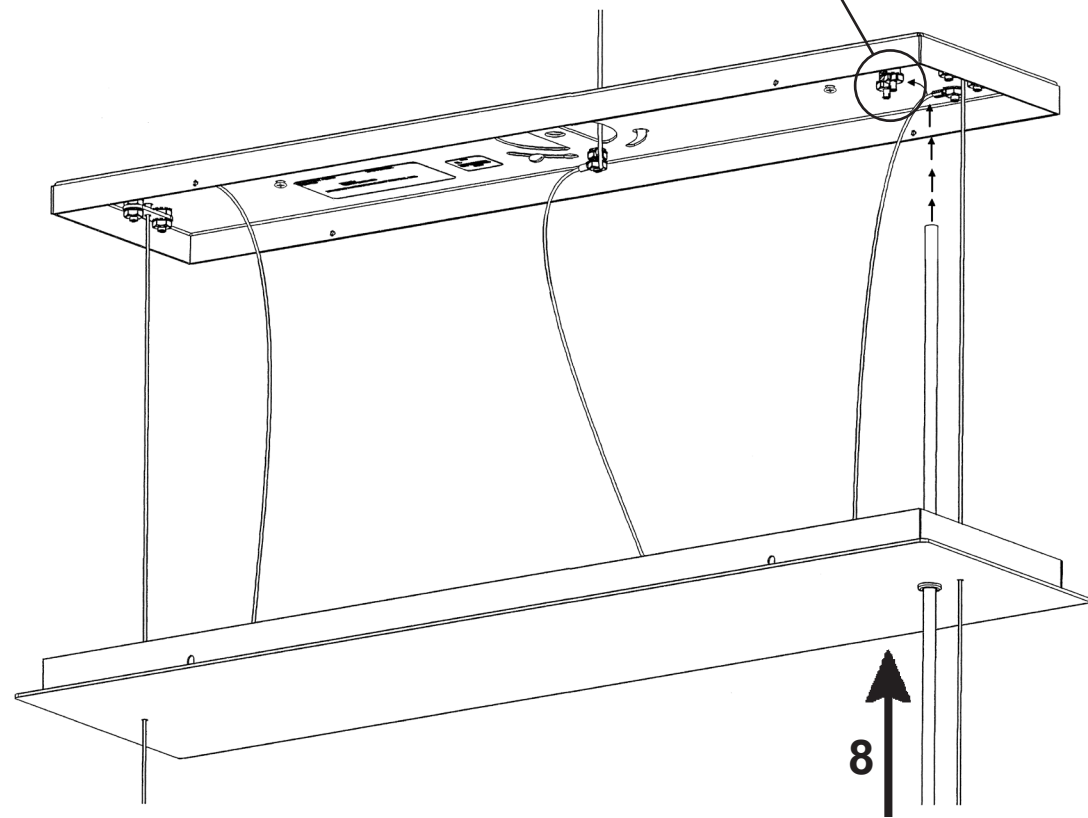
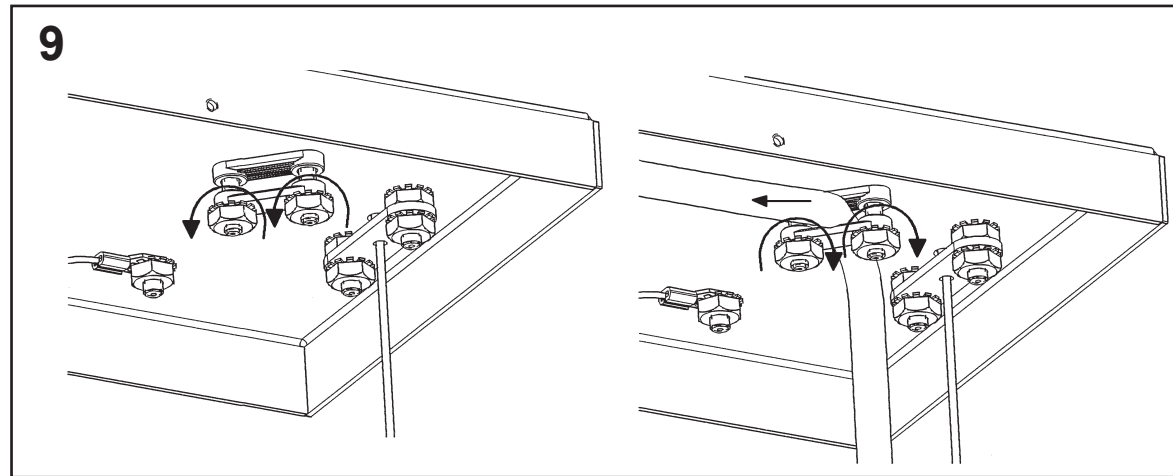
6



5

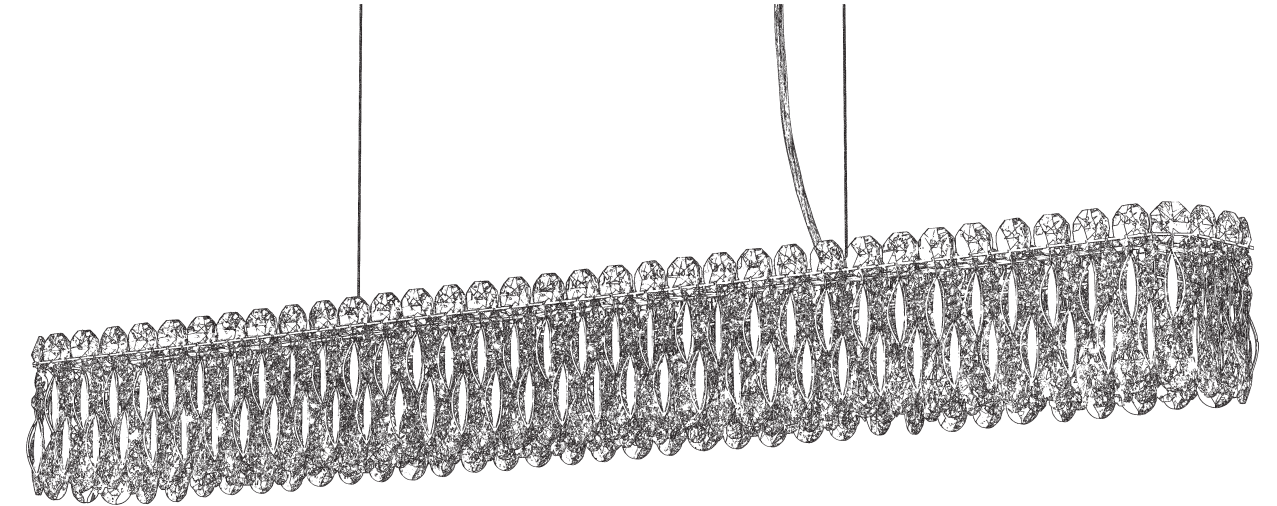


7



 **SCHONBEK** | 1870











**SARELLA**  
**RS8352N- \_\_ \_\_ R**

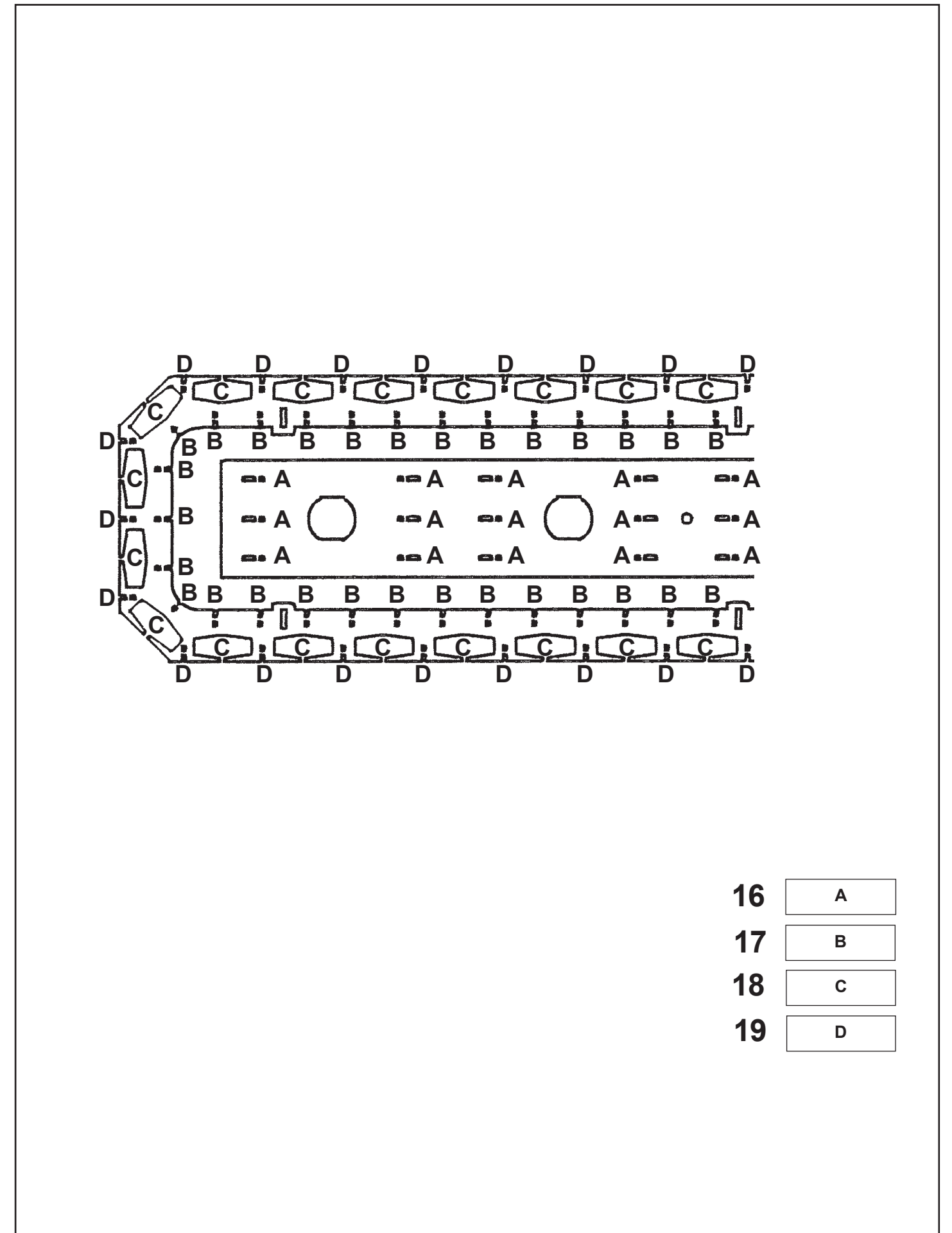
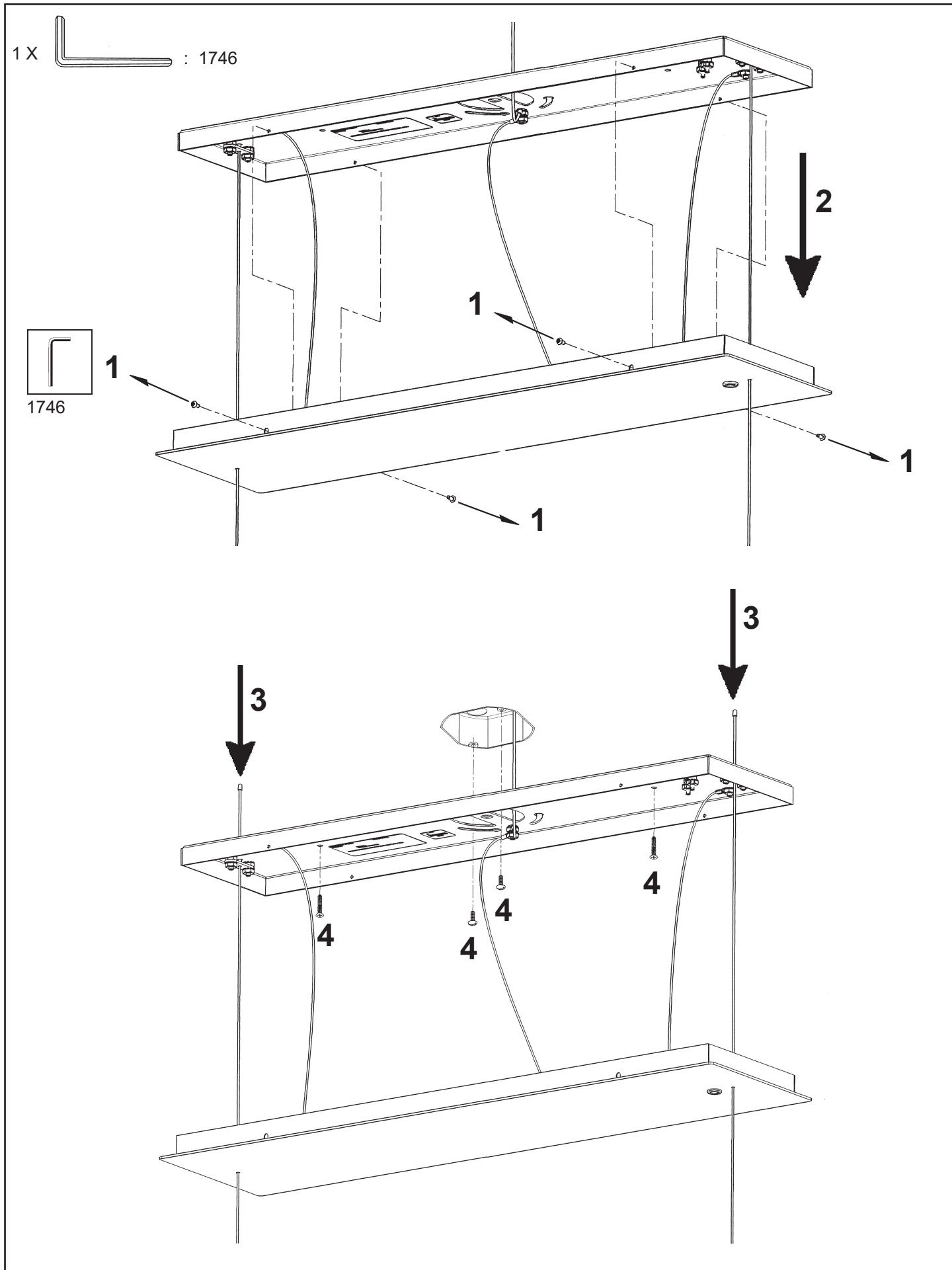


**T**HIS DESIGN IS THE PROPRIETARY  
TRADE DRESS/TRADEMARK OF  
W SCHONBEK LLC.

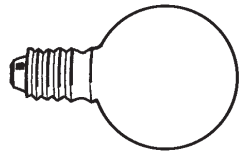
11 Lights  
Length: 47-1/2"  
Width: 5"  
Height: 5-1/2"  
Hanging Weight: 23lbs.

 **SCHONBEK** | 1870

								
MAX <b>40</b> W	110-120 V							

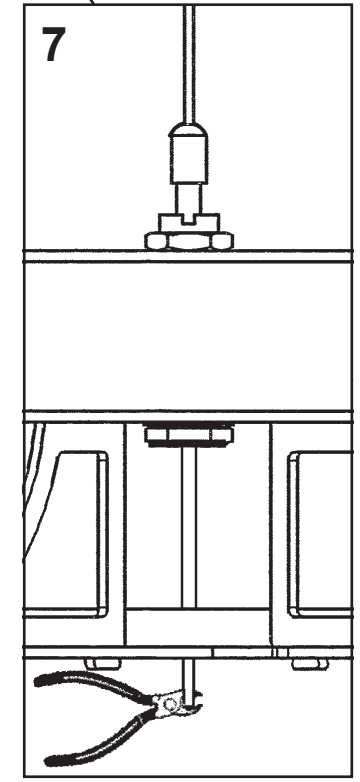
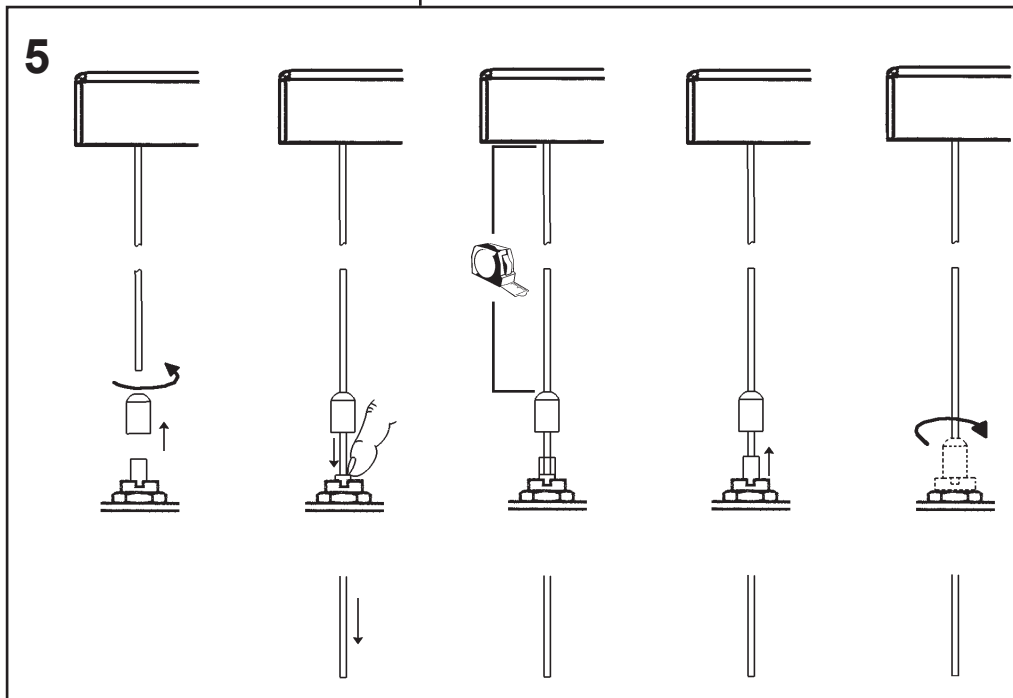
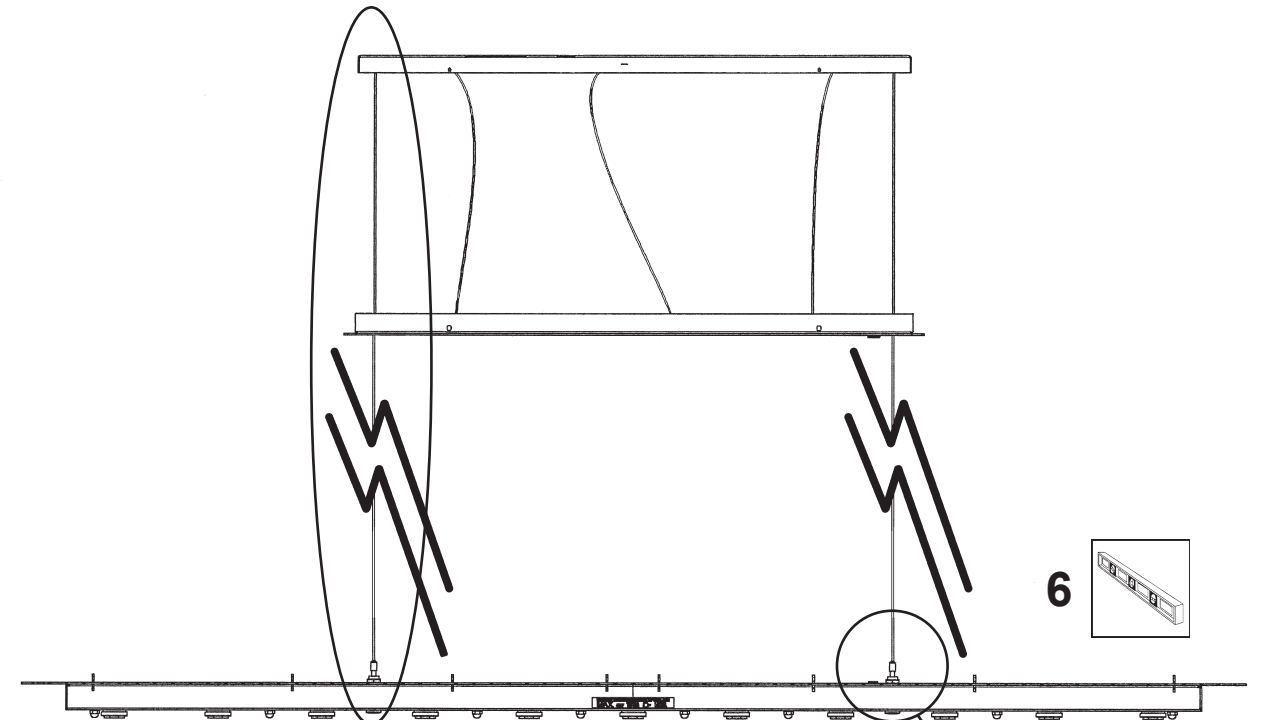
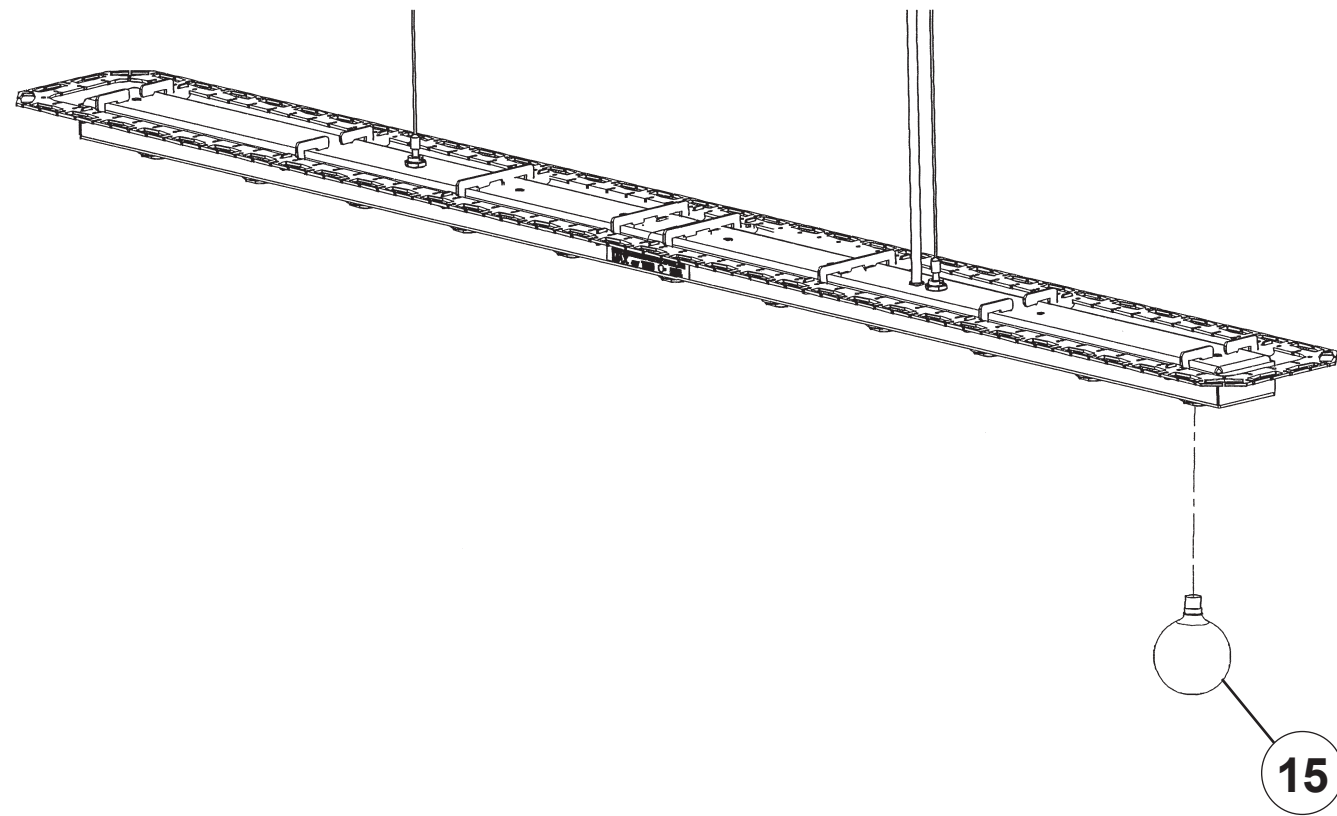


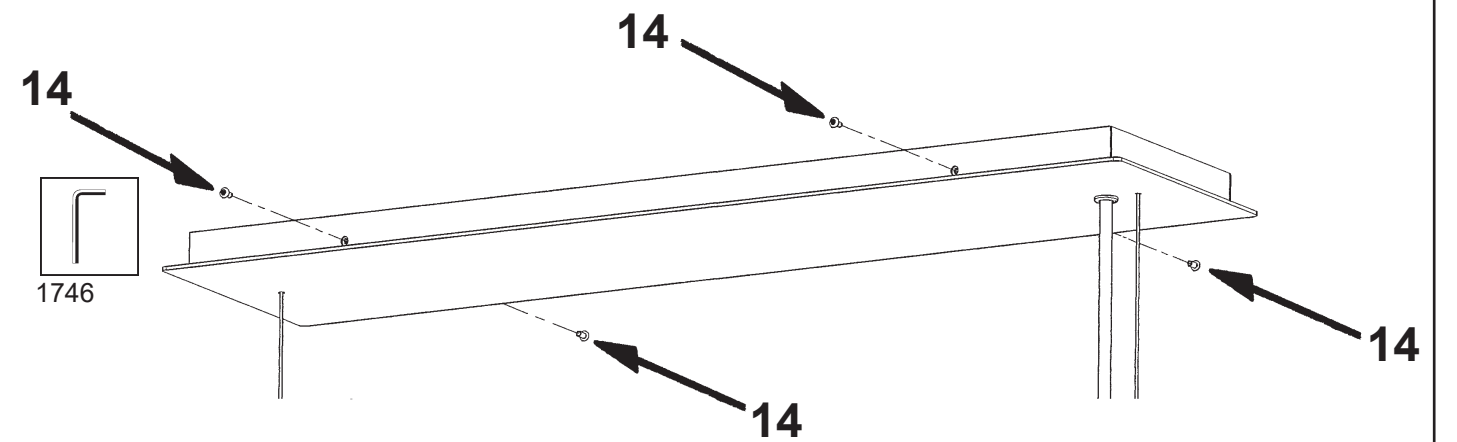
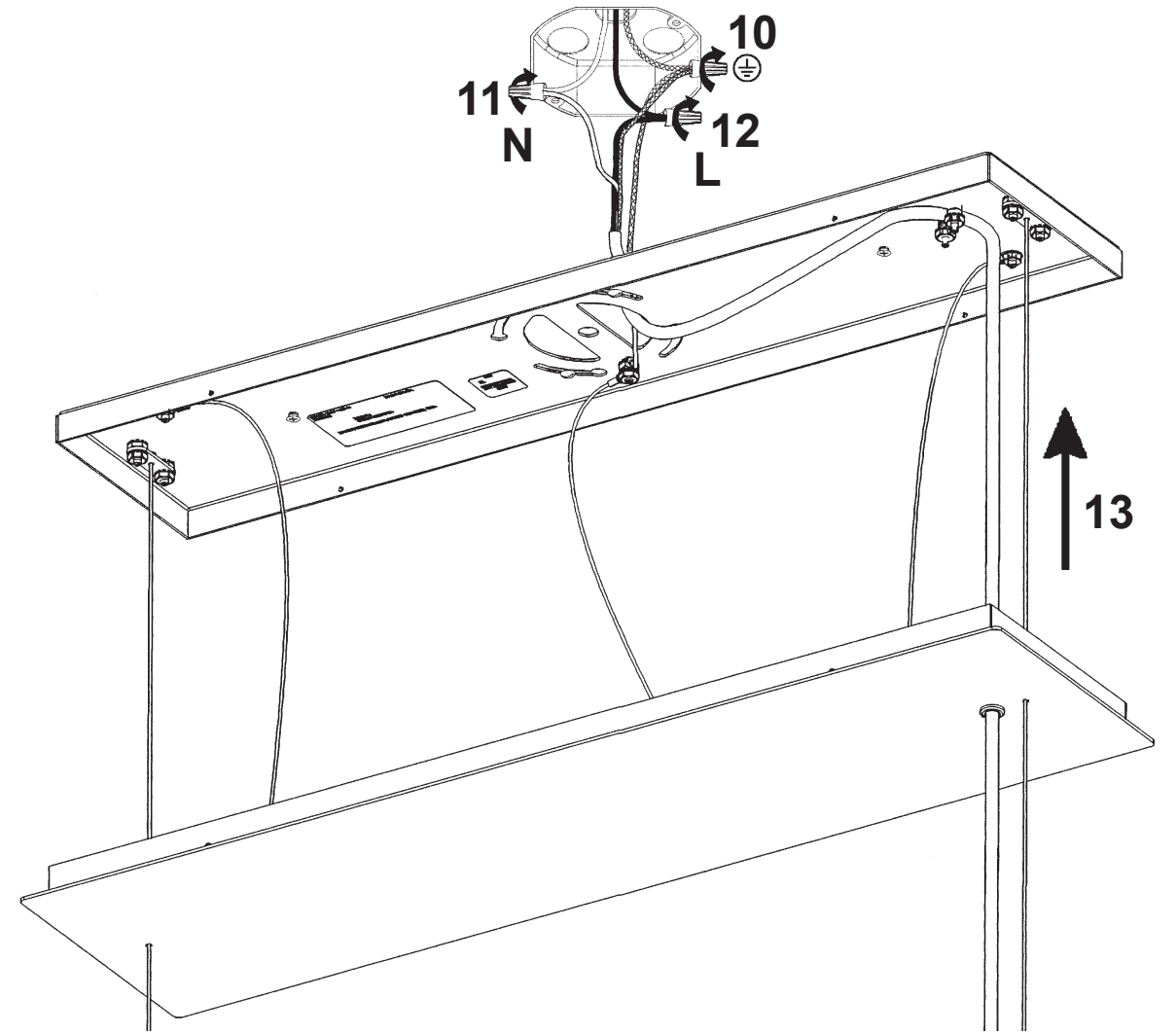
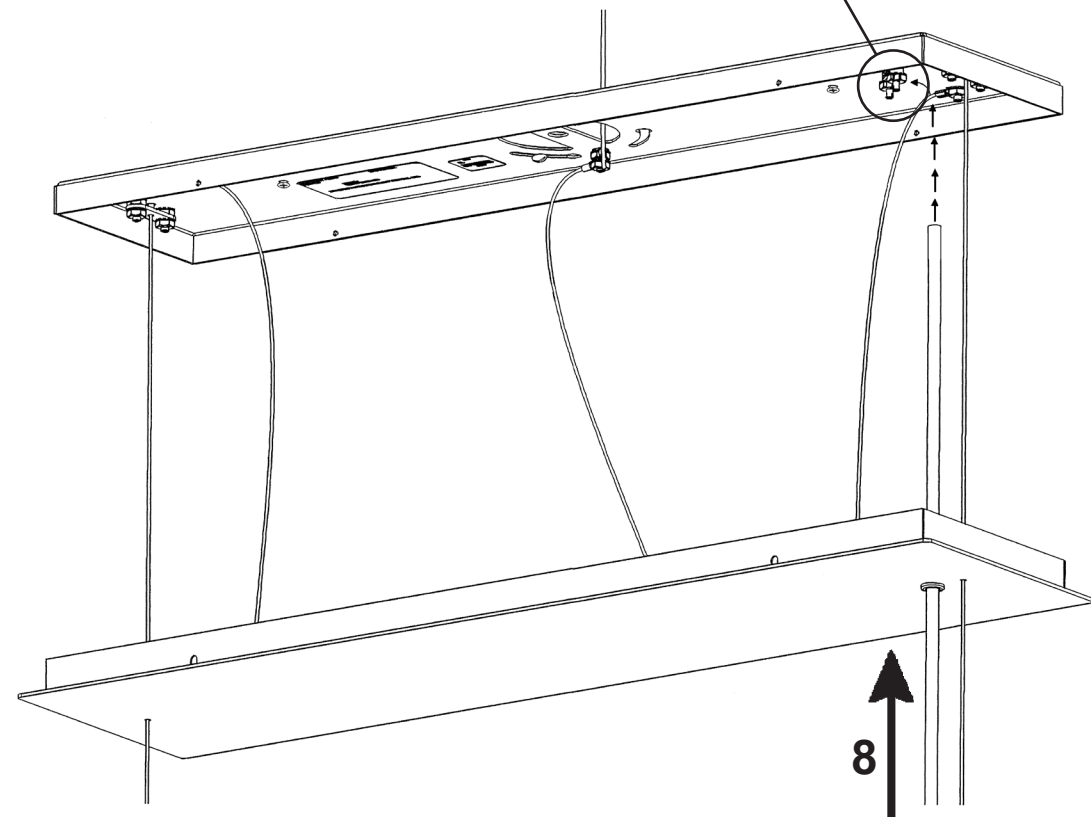
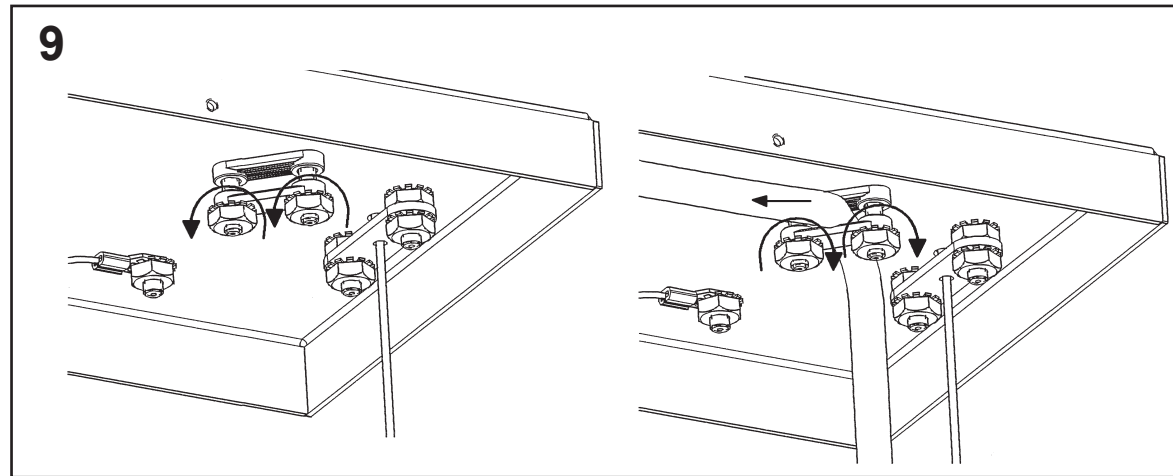




You will need 11 - G16-1/2 Bulbs  
40 Watts Max

Install bulbs and be sure to  
test fixture **BEFORE** trimming.

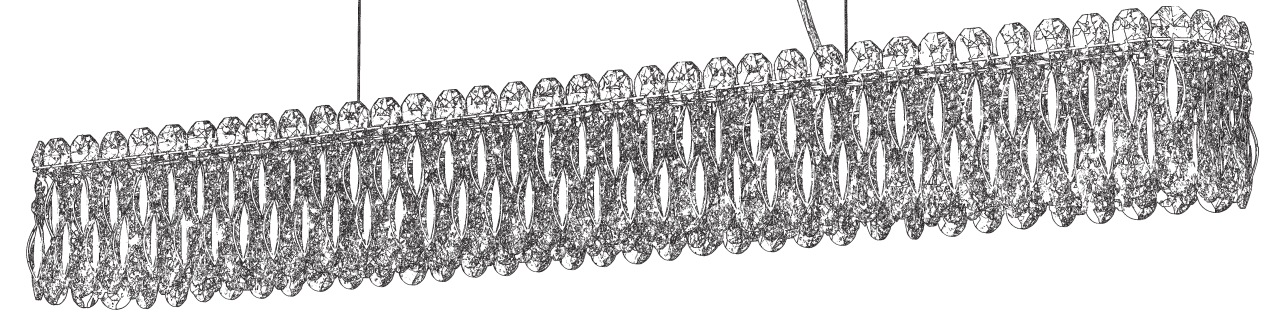






 **SCHONBEK** | 1870











**SARELLA**  
**RS8352N- \_\_\_ S**

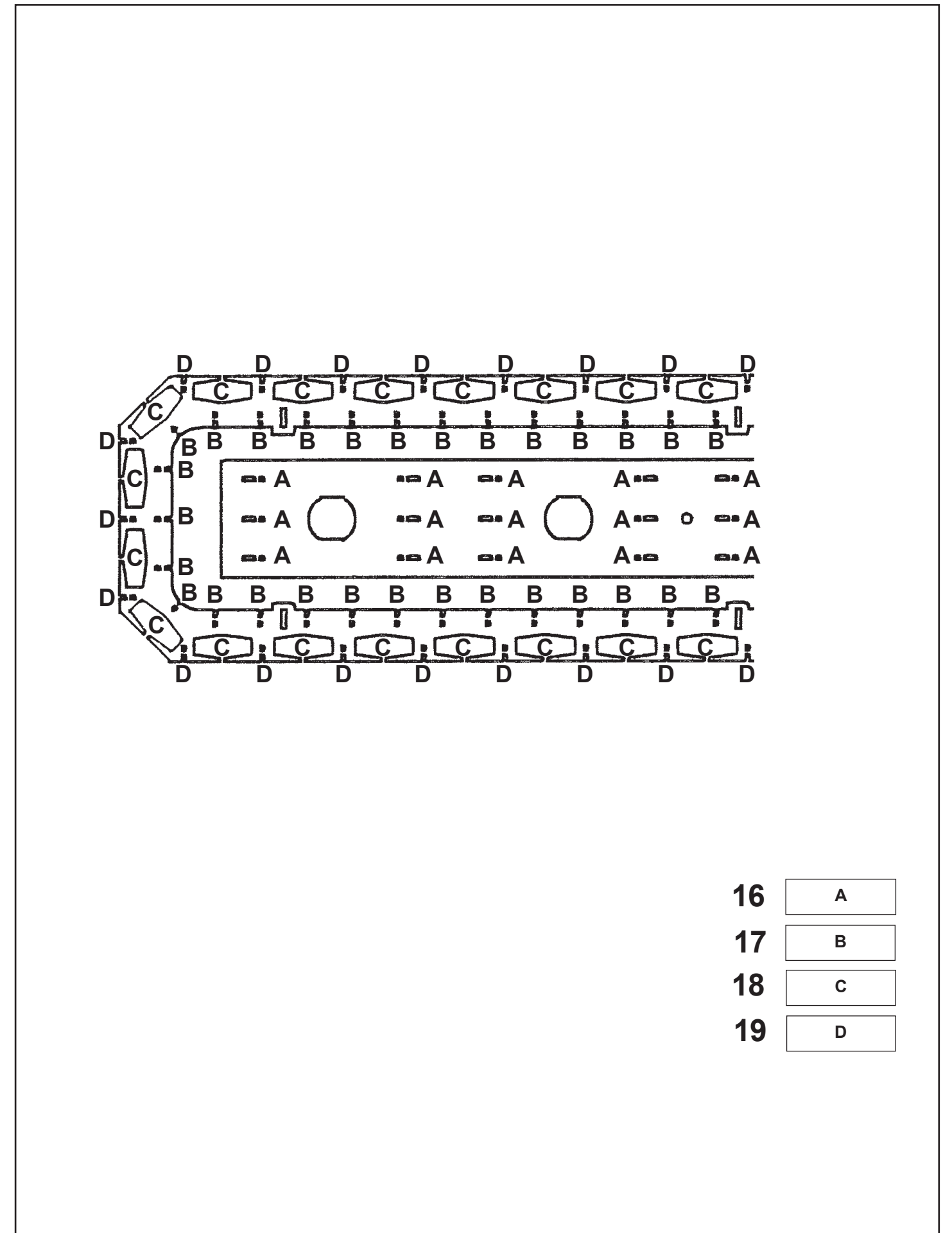
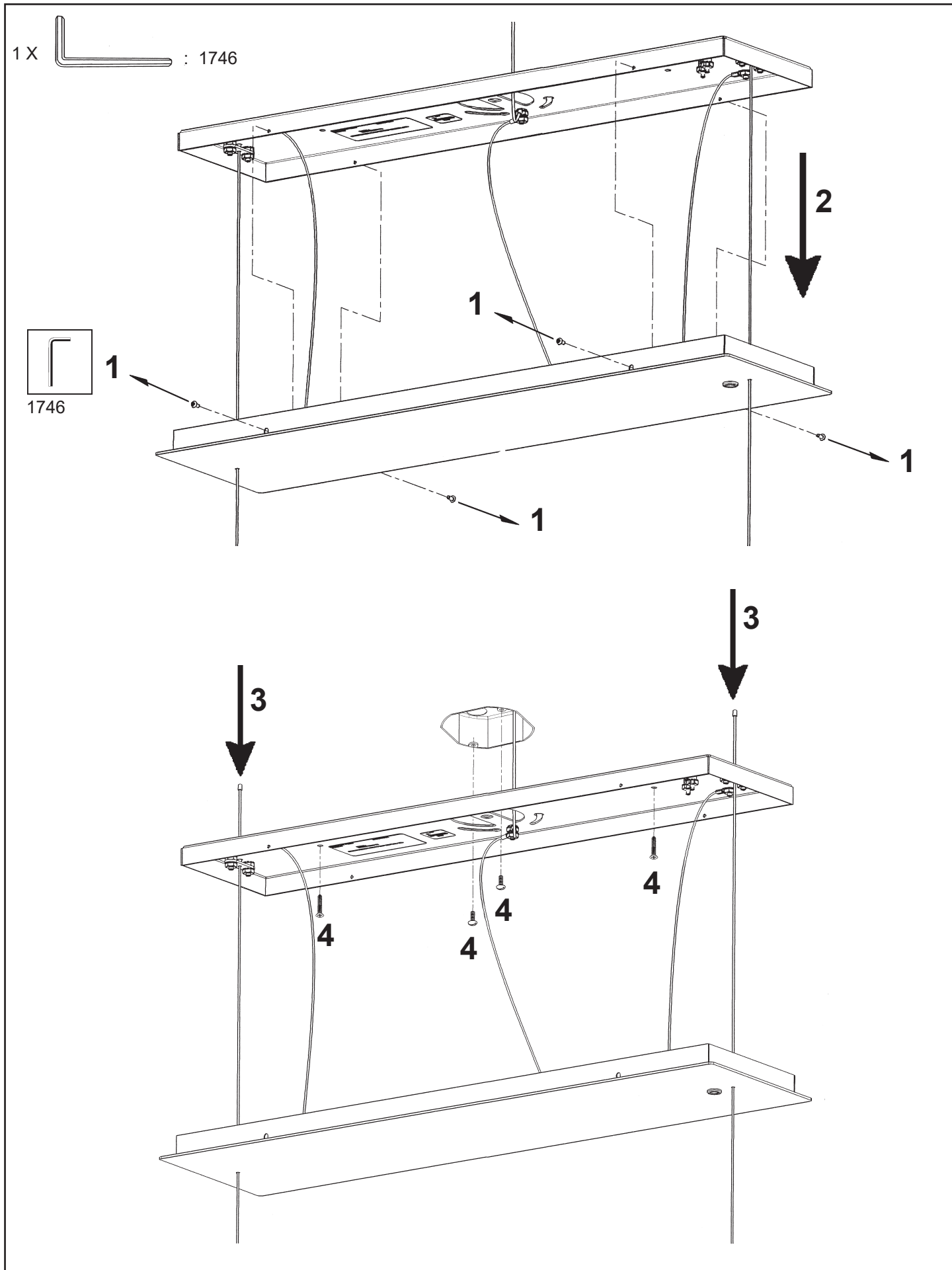


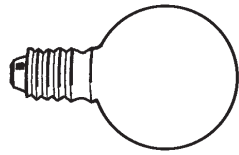
**T**HIS DESIGN IS THE PROPRIETARY  
TRADE DRESS/TRADEMARK OF  
W SCHONBEK LLC.

11 Lights  
Length: 47-1/2"  
Width: 5"  
Height: 5-1/2"  
Hanging Weight: 23lbs.

 **SCHONBEK** | 1870

			<b>S</b>							
MAX <b>40</b> W	110-120 V									





You will need 11 - G16-1/2 Bulbs  
40 Watts Max

Install bulbs and be sure to  
test fixture **BEFORE** trimming.

