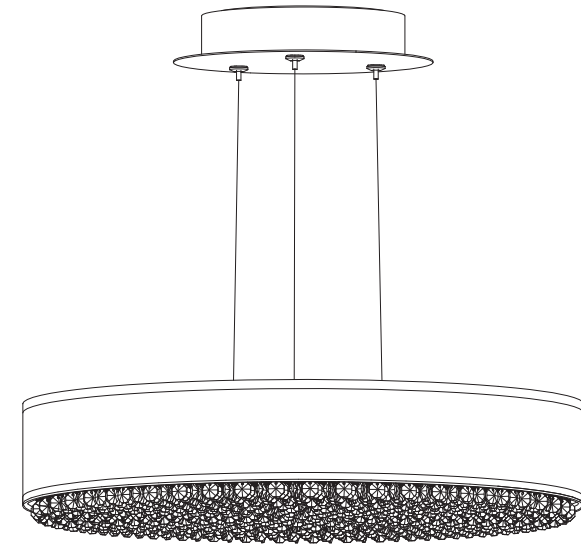












# ECLYPTIX LED S6319/24/29-401R \_\_\_\_

SCHONBEK  
*Signature*<sup>™</sup>



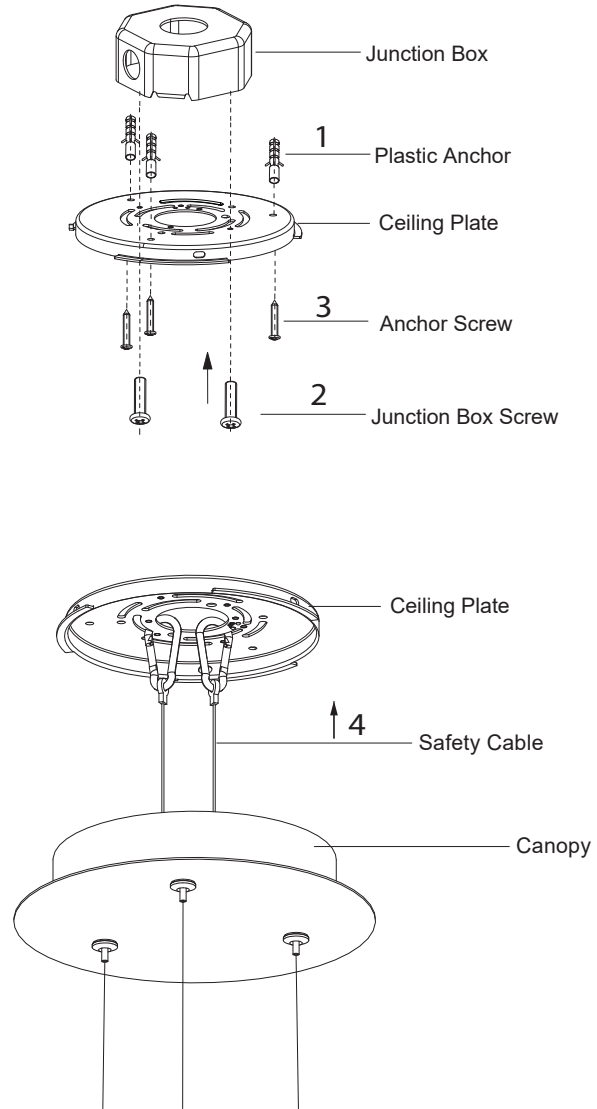
**T**HIS DESIGN IS THE PROPRIETARY  
TRADE DRESS/TRADEMARK OF  
W SCHONBEK LLC.

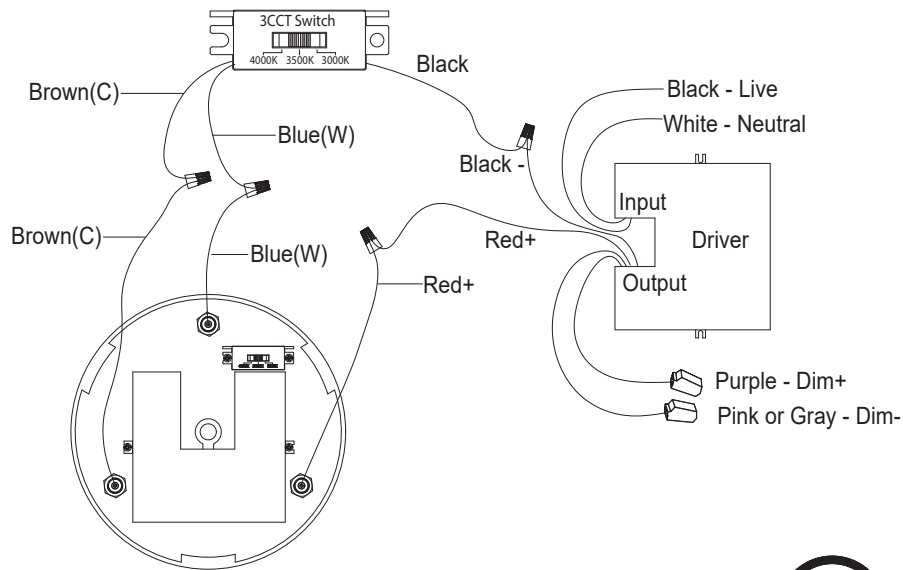
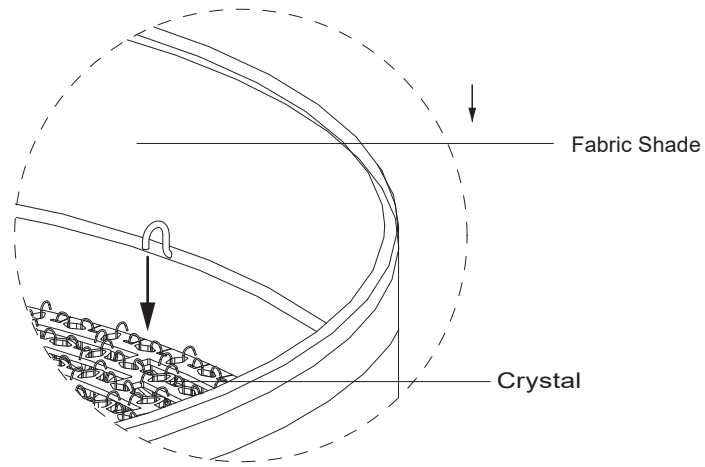
SCHONBEK  
*Signature*<sup>™</sup>

									
S6319: 26W S6324: 32W S6329: 44W			120-277 V						

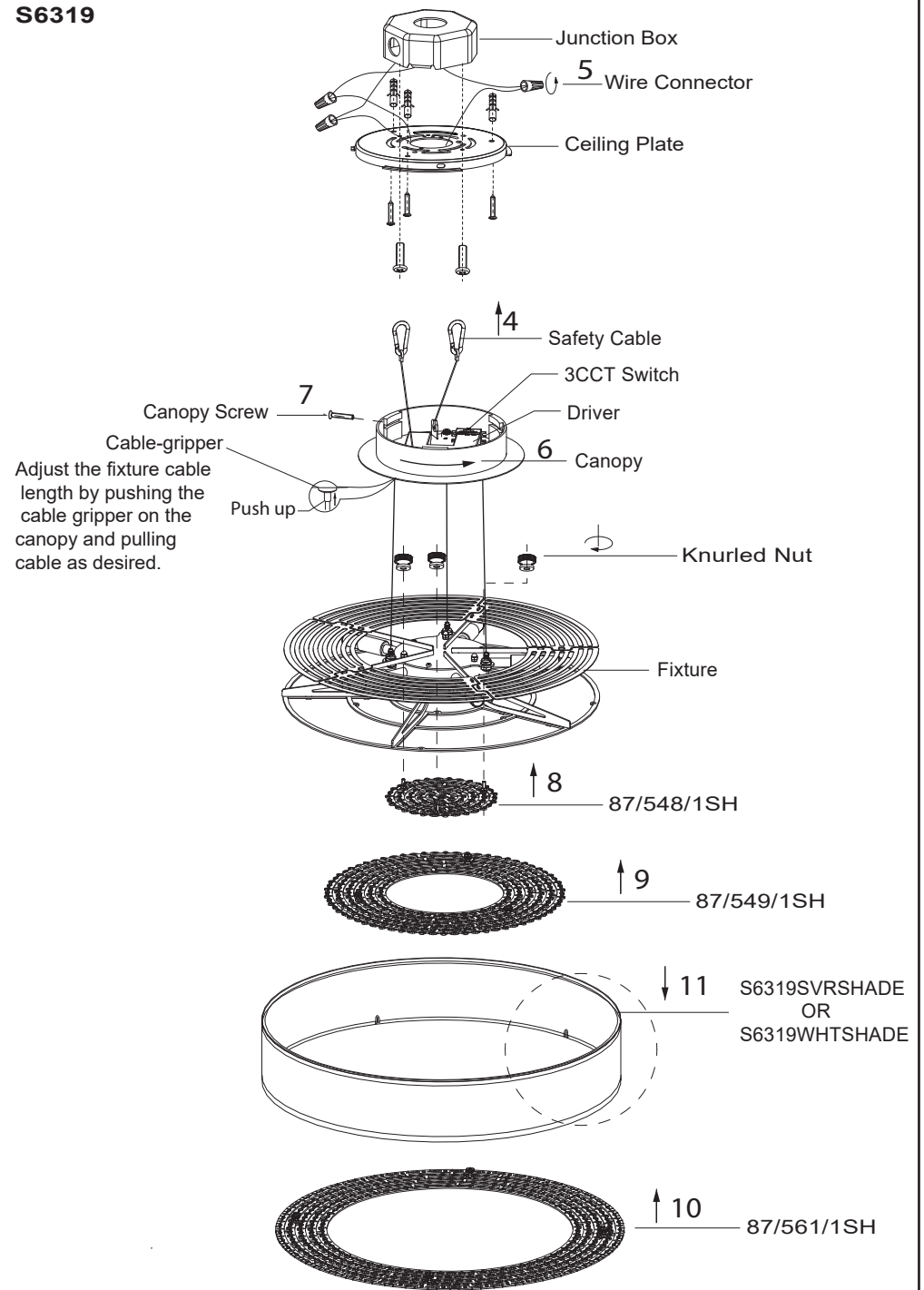
[WWW.SCHONBEK.COM/INSTALLATIONMANUAL](http://WWW.SCHONBEK.COM/INSTALLATIONMANUAL)

All electrical components must be installed by a licensed electrician in accordance with the National Electric Code and the appropriate local electrical codes.

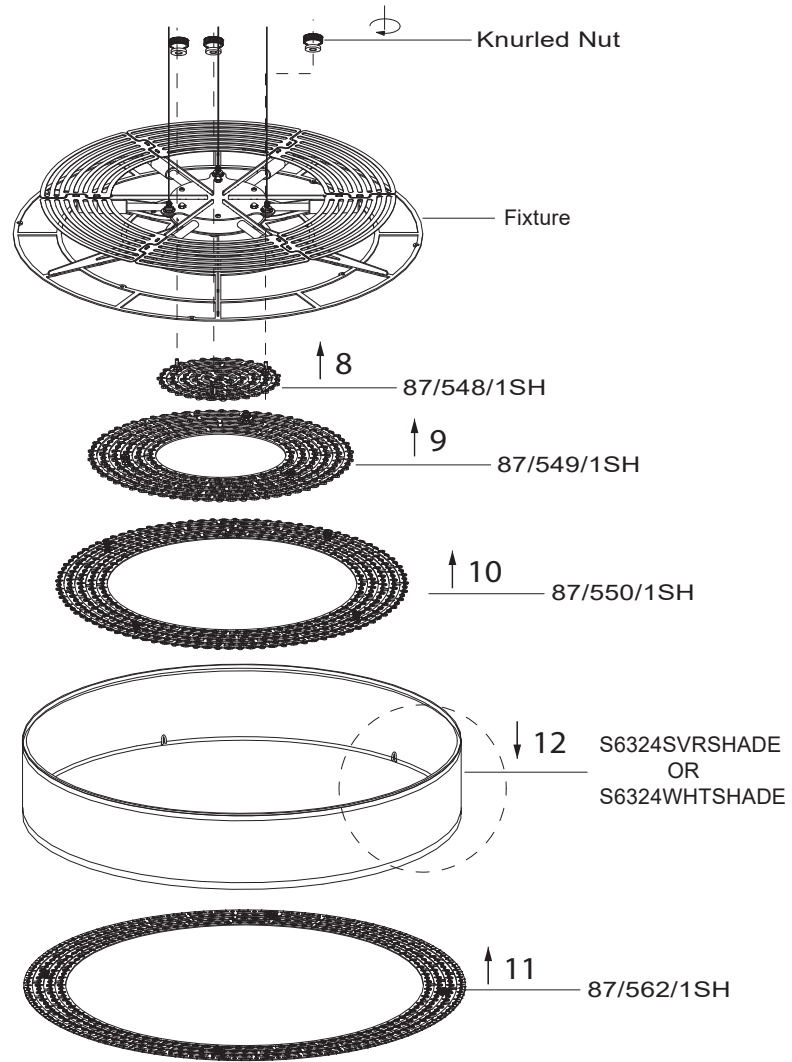




**S6319**



S6324



S6329

