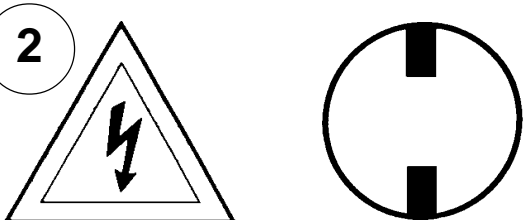


Instructions for electrician STEPS 2 - 18

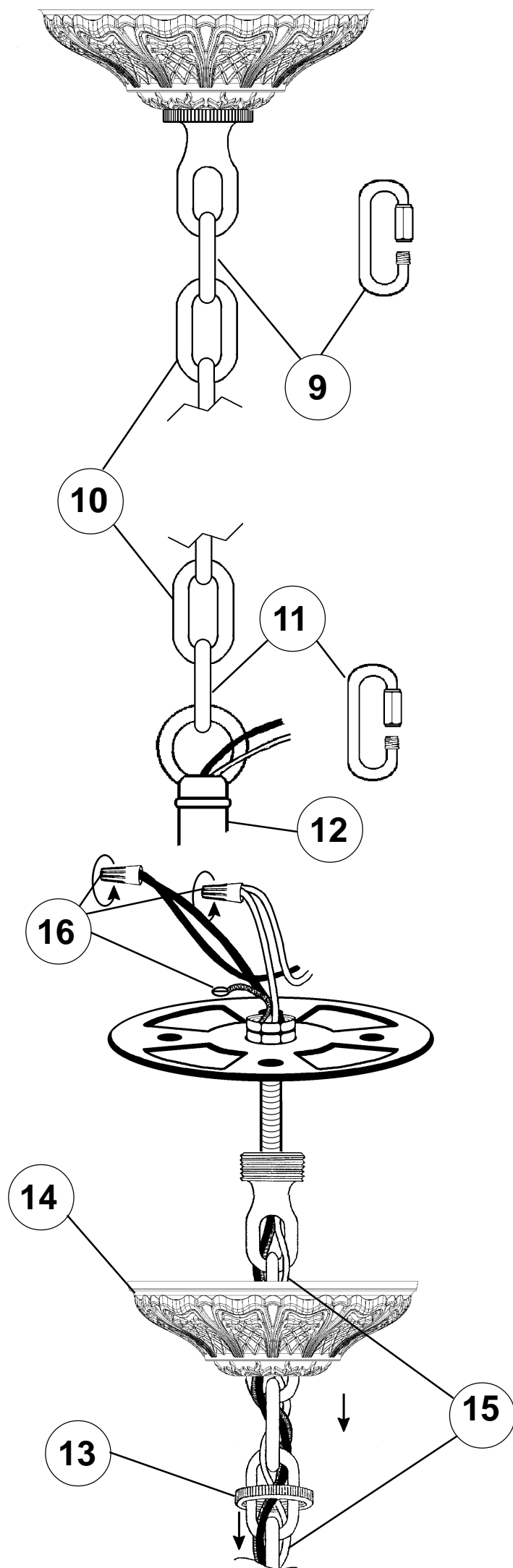
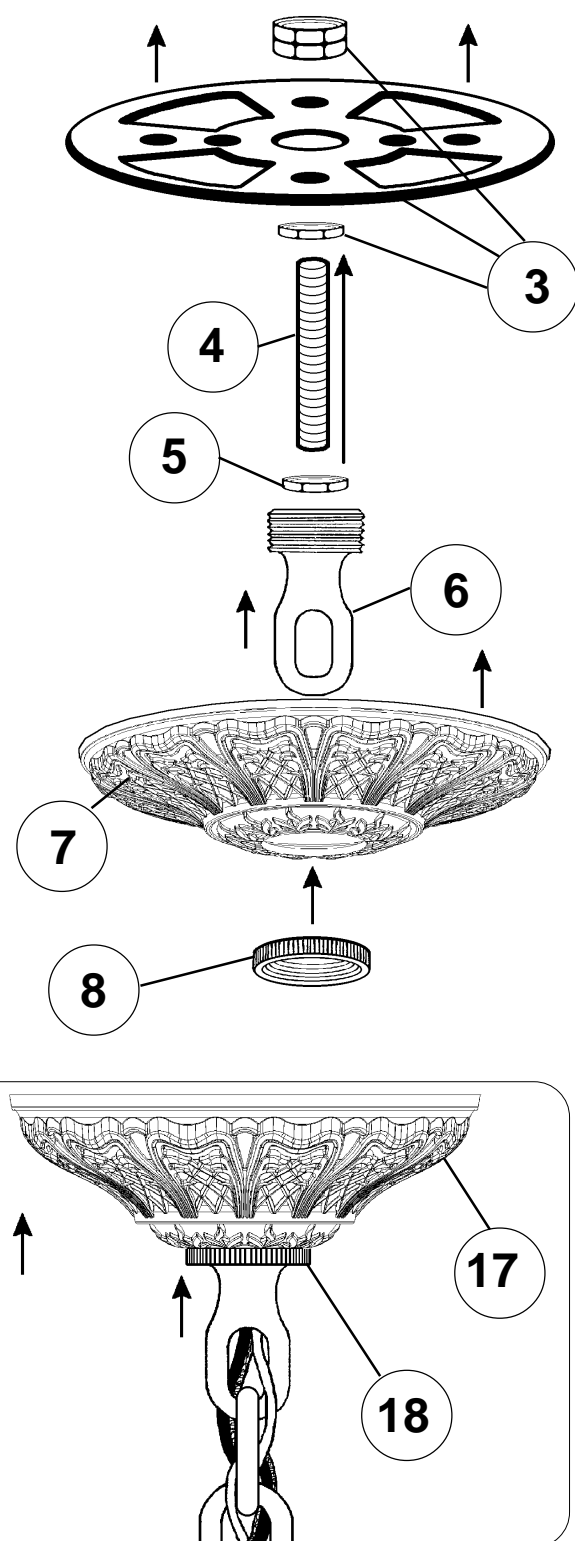
WARNING: THIS LUMINAIRE MUST BE MOUNTED OR SUPPORTED INDEPENDENTLY OF AN OUTLET BOX.

WARNING:



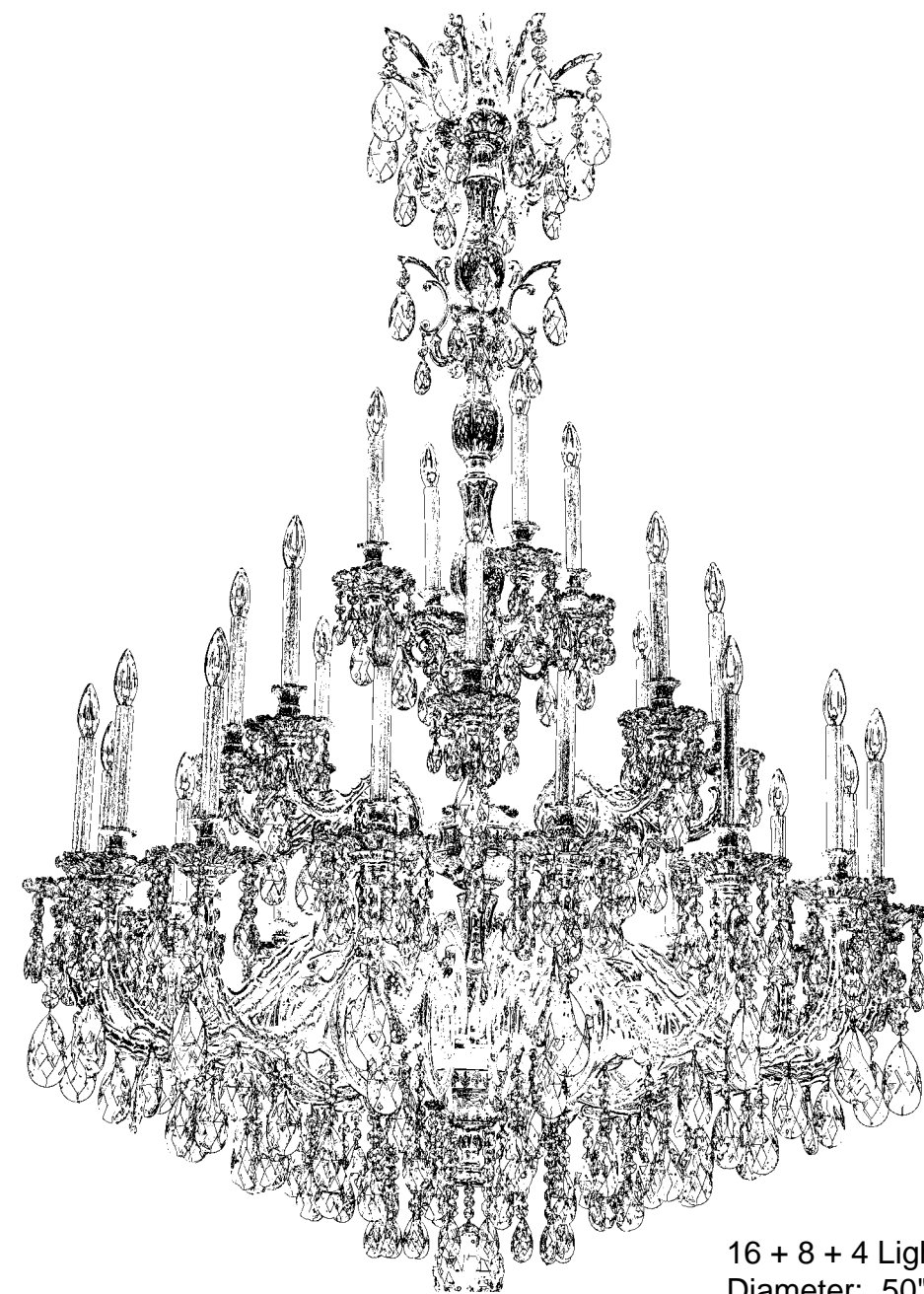
Electrical Danger Turn Power Off

All electrical components must be installed by a licensed electrician in accordance with the National Electric Code and the appropriate local electrical codes.



CHANDELIER 5688-____A TRIM DIAGRAM

(Finish Option)



16 + 8 + 4 Lights
Diameter: 50"
Body Length: 68"
Hanging Weight: 133 lbs.

T HIS DESIGN IS THE PROPRIETARY TRADE DRESS/TRADE MARK OF SCHONBEK WORLDWIDE LIGHTING INC.

SCHONBEK®

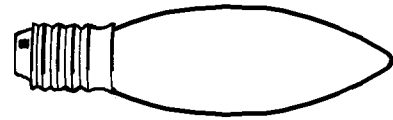
See diagram on back page
Follow steps in exact order
Save this trim diagram for future reference

1 **IMPORTANT**
Person who opens carton should record the following information for future service.

CODE # _____ Four-digit number on outside of carton.
PACKER # _____ See crystal package label.
ORDER # _____ See crystal package label.

Instructions for crystal trimming

STEPS 19 - 43



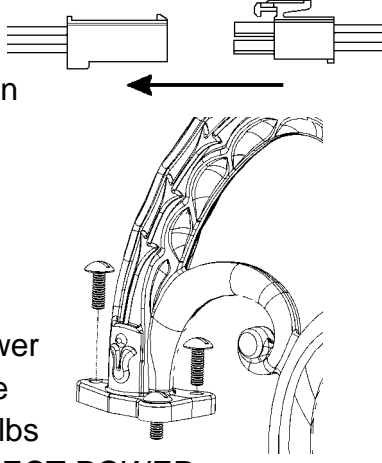
You will need 28 - C10
25 Watts Recommended
60 Watts Max

20

Install bulbs and be
sure to test fixture
BEFORE trimming.

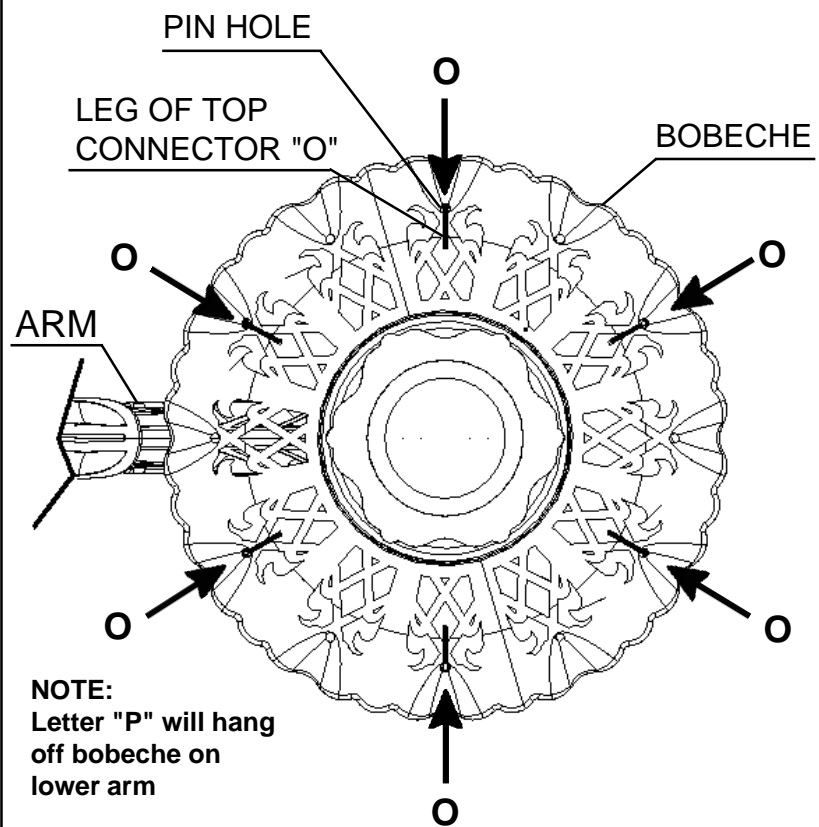
19

Connect arm
wires to the center column
using plug-in connectors.
Screw in three screws
per arm. See detailed
illustration.

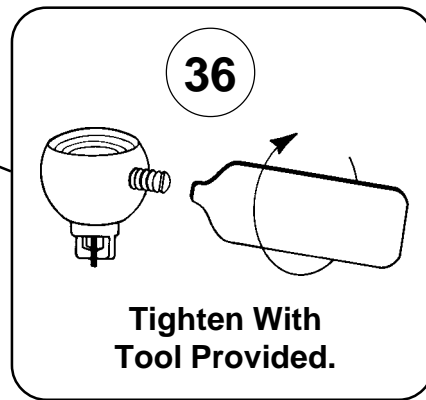
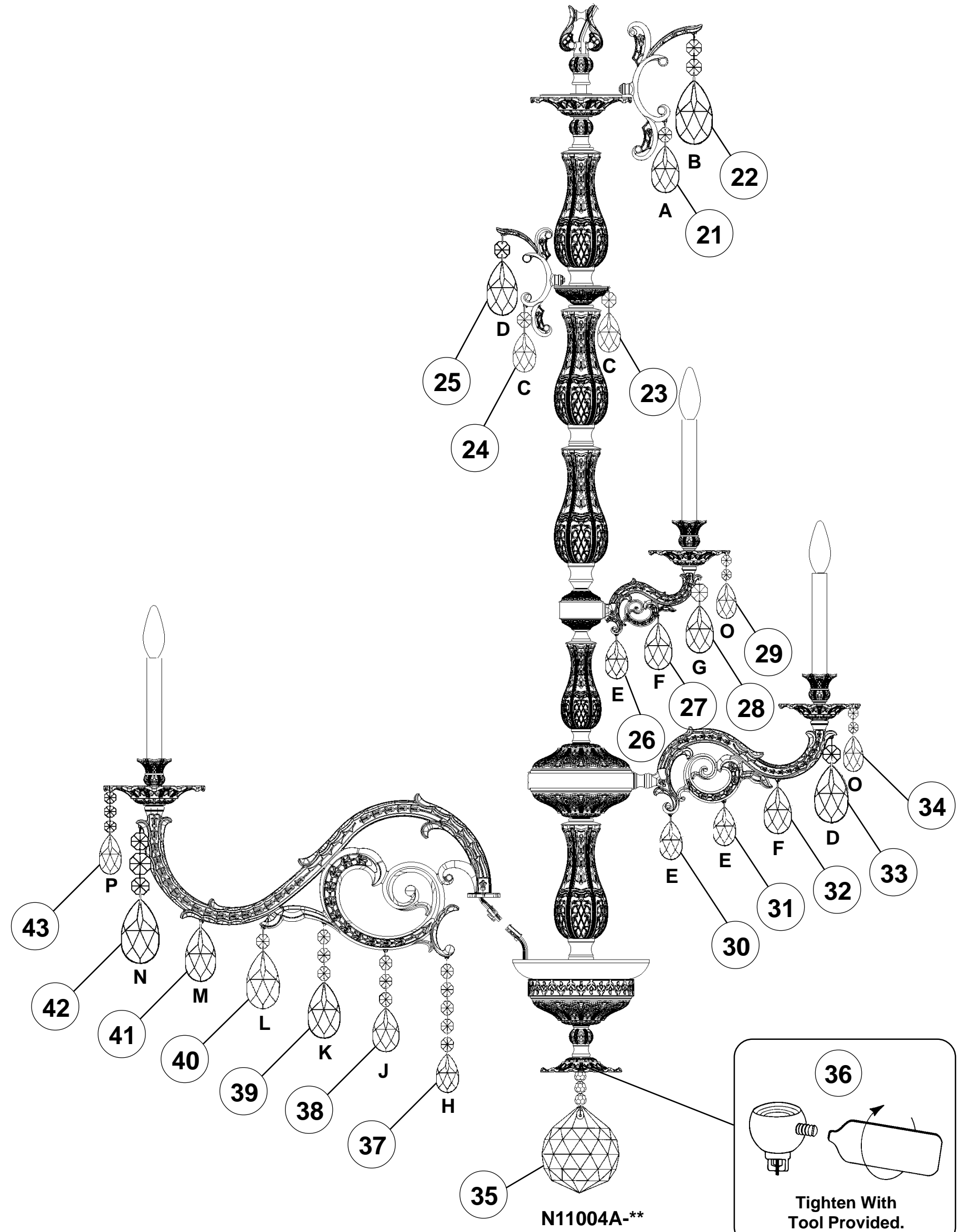


Install bulbs, connect power
and test the fixture before
trimming. If any of the bulbs
do NOT light - DISCONNECT POWER.
Double check the wire connections.

DIAGRAM #1



When trimming arm bobeche with letter "O", insert
leg of top connector into pin hole from under bobeche.
Hang in every other pin hole starting on either side of
the arm (refer to Diagram #1)



N11004A-**

