

CHANDELIER 1716- _____ TRIM DIAGRAM

(Finish Option)



20 Lights
Diameter: 37"
Body Length: 54-1/2"
Hanging Weight: 48 lbs.

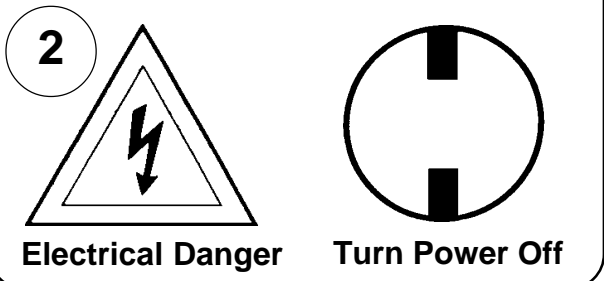
THIS DESIGN IS THE PROPRIETARY TRADE DRESS/TRADEMARK OF SCHONBEK WORLDWIDE LIGHTING INC.

SCHONBEK®

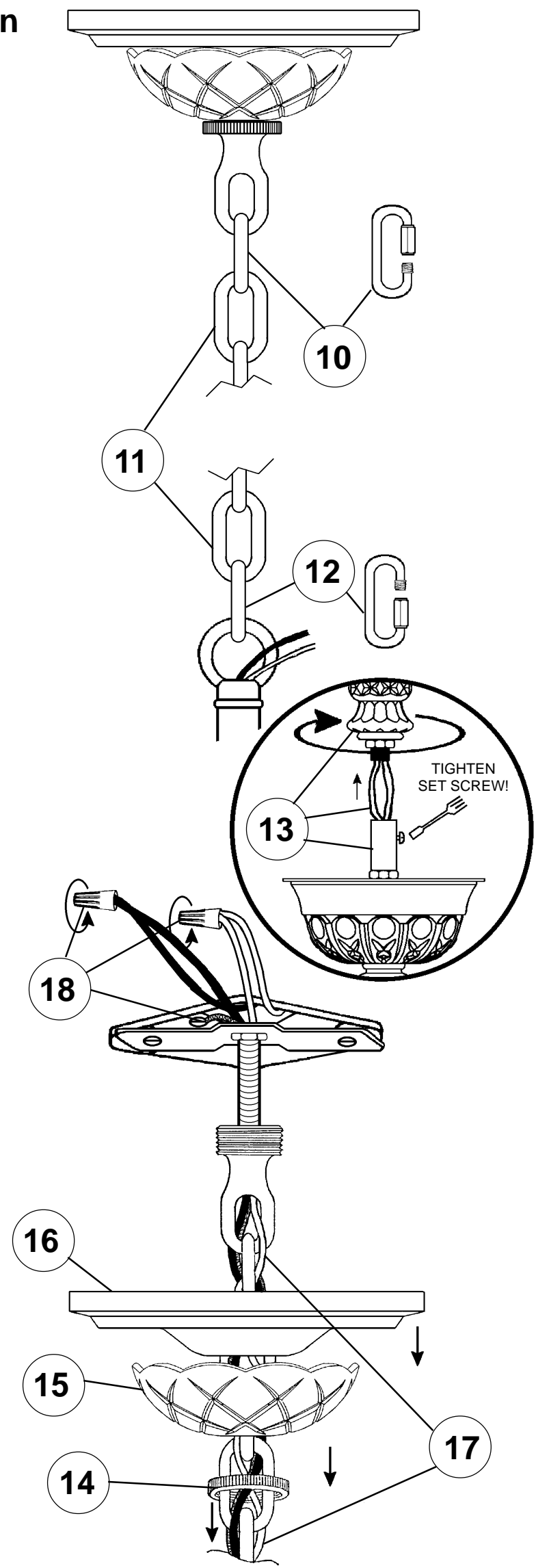
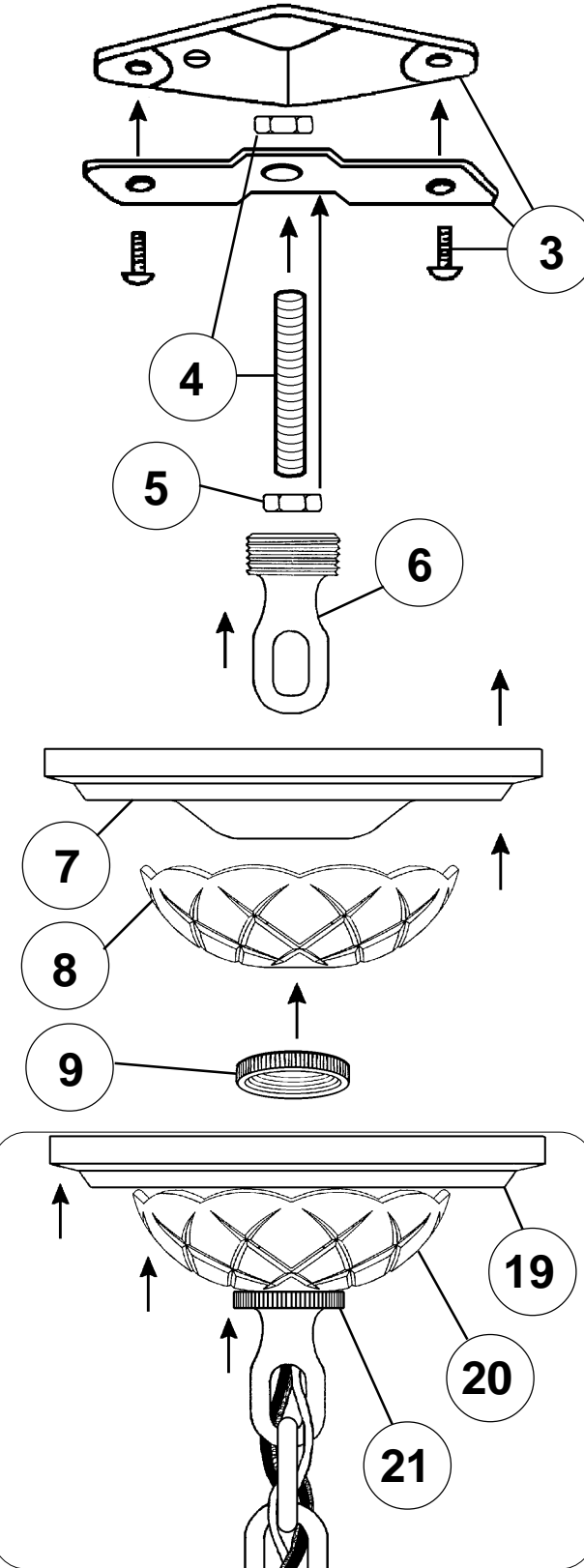
See diagram on back page
Follow steps in exact order
Save this trim diagram for future reference

Instructions for electrician STEPS 2 - 21

WARNING:



All electrical components must be installed by a licensed electrician in accordance with the National Electric Code and the appropriate local electrical codes.



1 **IMPORTANT**
Person who opens carton should record the following information for future service.

CODE #	_____	Four-digit number on outside of carton.
PACKER #	_____	See crystal package label.
ORDER #	_____	See crystal package label.

