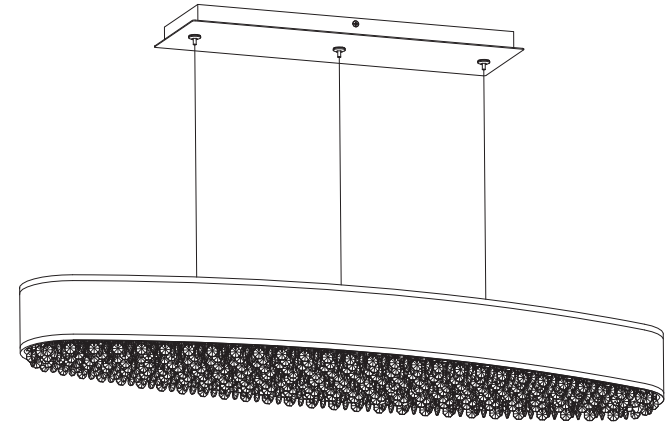


ECLYPTIX LED S6336/49-401R ____



THIS DESIGN IS THE PROPRIETARY
TRADE DRESS/TRADEMARK OF
W SCHONBEK LLC.

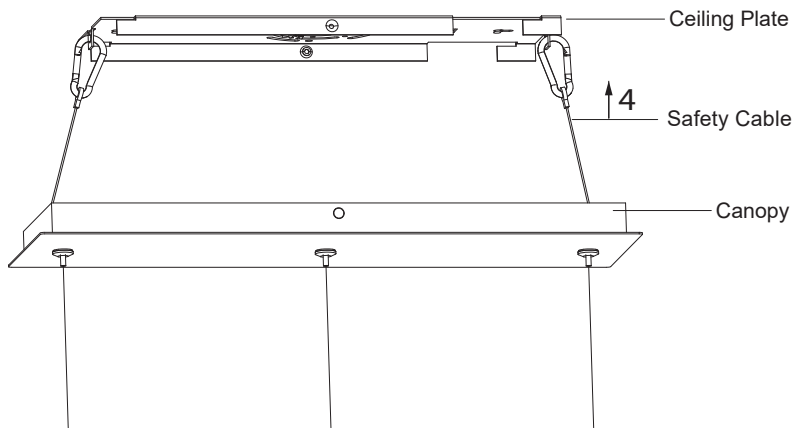
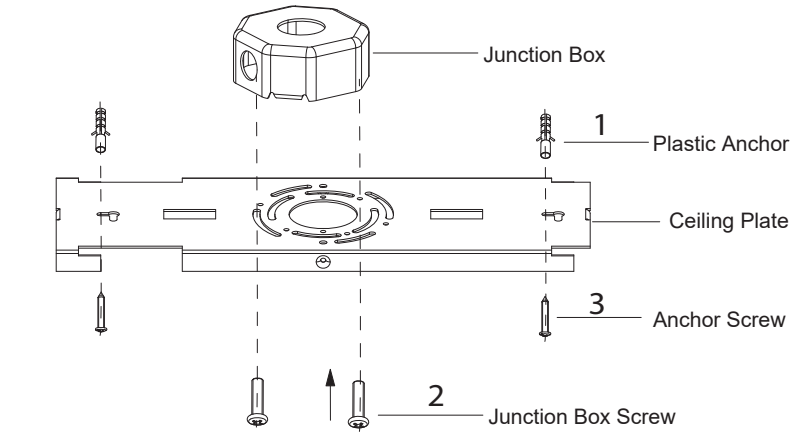
SCHONBEK
Signature[™]

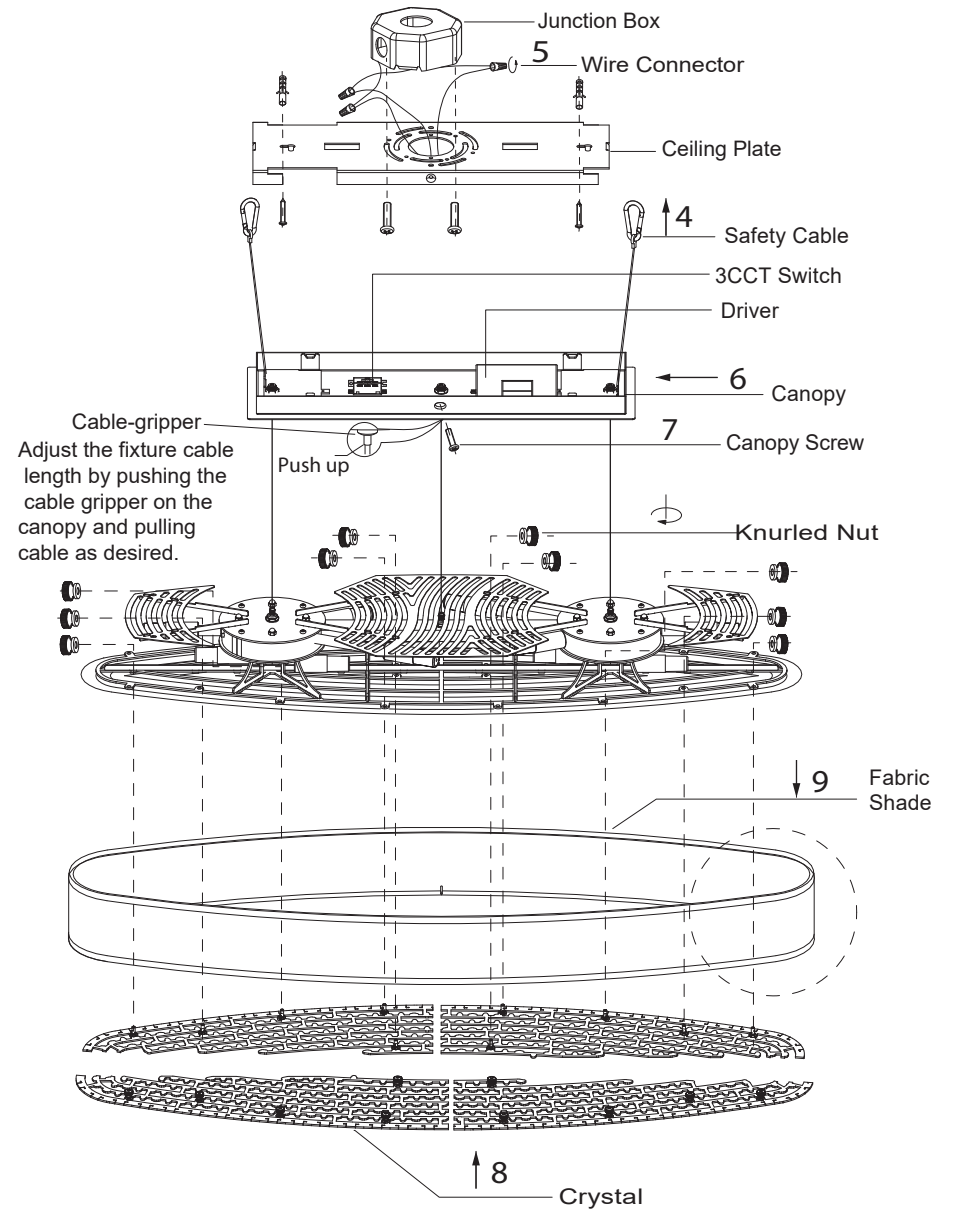
SCHONBEK
Signature[™]

S6336: 38W S6349: 44W		120-277 V						

WWW.SCHONBEK.COM/INSTALLATIONMANUAL

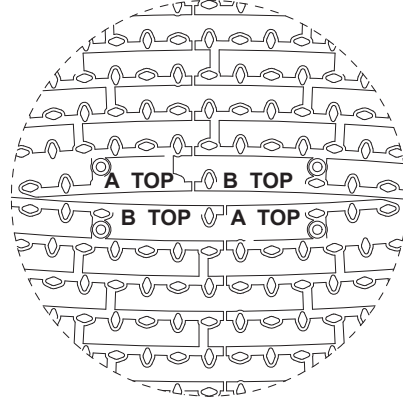
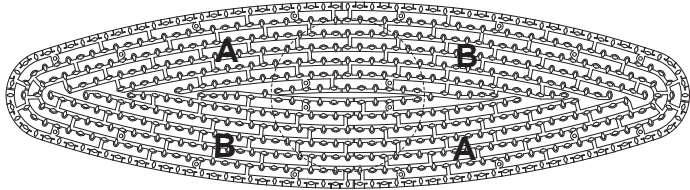
All electrical components must be installed by a licensed electrician in accordance with the National Electric Code and the appropriate local electrical codes.





S6336 Crystal

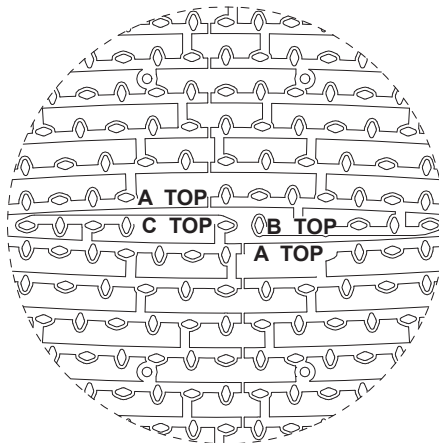
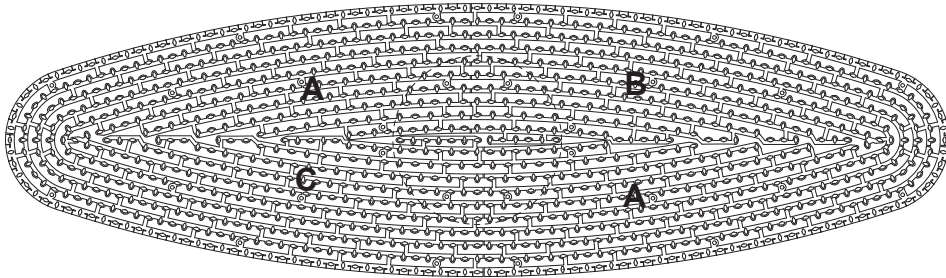
TOP VIEW



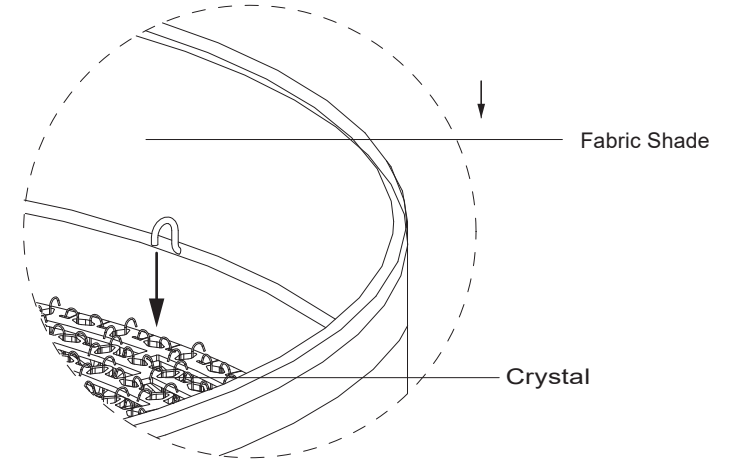
A: 87/580/1SH (X2)
B: 87/581/1SH (X2)

S6349 Crystal

TOP VIEW



A: 87/582/1SH (X2)
B: 87/583/1SH
C: 87/584/1SH



S6336 Fabric Shade : S6336SVRSHADE OR S6336WHTSHADE

S6349 Fabric Shade : S6349SVRSHADE OR S6349WHTSHADE

