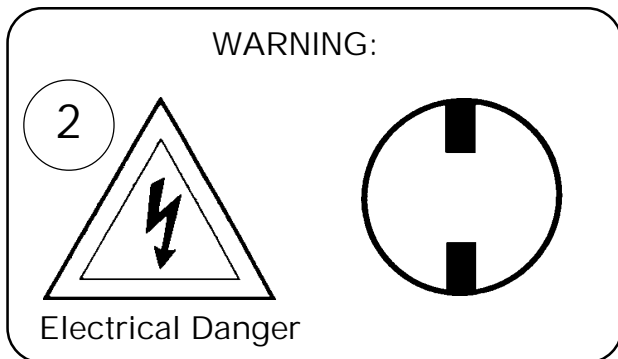
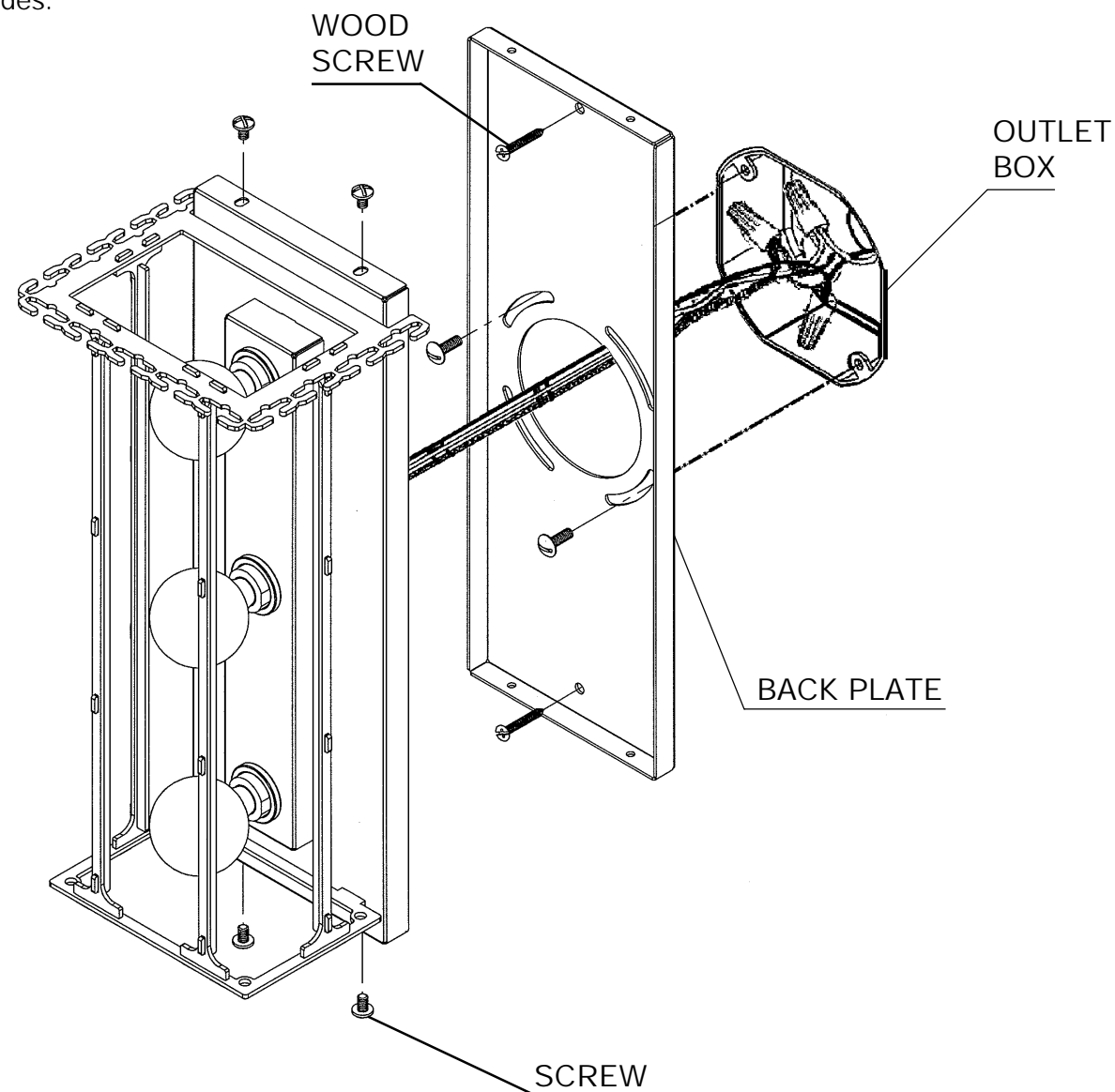


Instructions for electrician  
STEP 2 - 5



All electrical components must be installed by a licensed electrician in accordance with the National Electric Code and the appropriate local electrical codes.



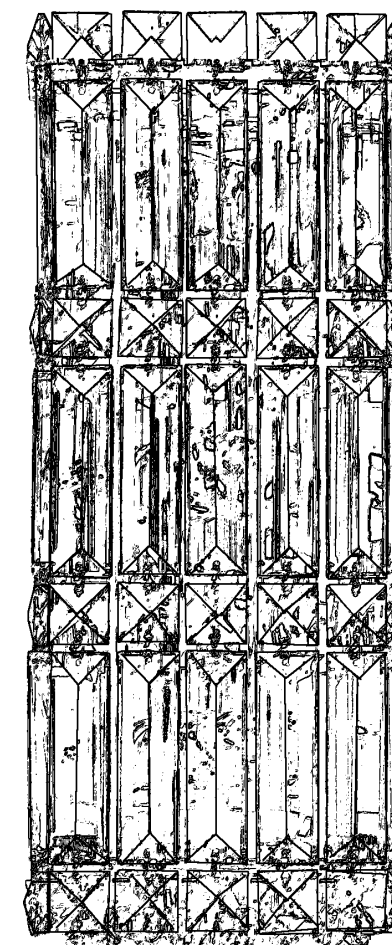
3 Remove the (4) wall sconce screws and separate the back plate from the wall sconce. Feed stem and ground wires through back plate, then attach to power wires and ground wire in outlet box.

4 Attach back plate to the outlet box with (2) screws. Supplied are (2) wood screws to stop the wall sconce from pivoting.

5 Attach wall sconce to back plate and tighten the four screws removed previously.

QUANTUM 2236-\_\_\_ TRIM DIAGRAM  
(Trim Option)

THIS DESIGN IS THE PROPRIETARY TRADE DRESS/TRADEMARK OF SCHONBEK WORLDWIDE LIGHTING INC.



3 Lights  
Length: 5-1/2"  
Extension: 4-1/2"  
Height: 13"  
Weight: 6 lbs.

**SCHONBEK®**

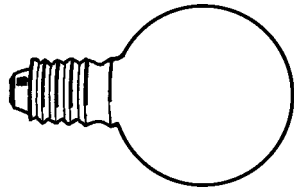
See diagram on back page  
Follow steps in exact order  
Save this trim diagram for future reference

IMPORTANT  
1 Person who opens carton should record the following information for future service.  
CODE # \_\_\_\_\_ Four-digit number on outside of carton.  
PACKER # \_\_\_\_\_ See crystal package label.  
ORDER # \_\_\_\_\_ See crystal package label.

SCHONBEK IS A WORLD LEADER IN CHANDELIER DESIGN. PATENTS INCLUDE:  
#5,144,541, #5,222,805 & #5,460,269

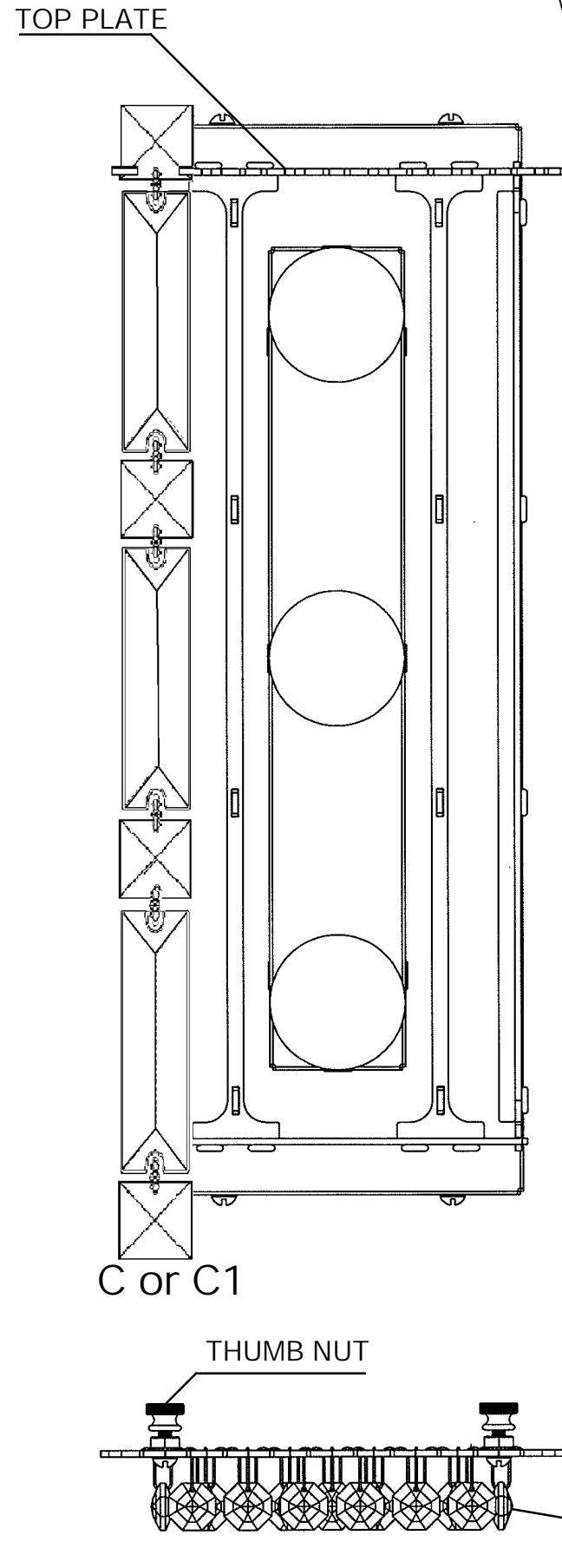
# Instructions for crystal trimming

## STEPS 6 - 8

6 

You will need 3 - G11  
40 Watts Max  
25 Watts recommended  
(Supplied - Schonbek #: 30205)

Install bulbs and be sure to test  
fixture BEFORE trimming.



7 Install bottom crystal grid with four thumb nuts (already screwed onto grid) to bottom of the wall sconce.

8 Hold chain "C" by the top square crystal. (NOTE: Flat side of large crystals face out and chains are also symmetrical so either end will work!) When trimming a ST fixture, always start with chain B on either side against the wall, and alternate hanging C & C1 chains. Insert bottom square crystal into the pocket of bottom crystal grid. Then position the top connector (between the top two crystals) into the top plate pocket opening directly above the bottom crystal grid pocket. (Diagram #1) Lower the chain until the top square stone seats itself into the top plate pocket. When the chain is installed correctly, it will be held in place by both top and bottom pockets.

