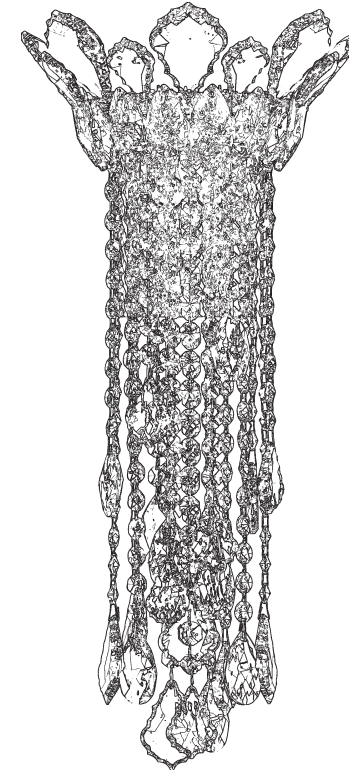




**SCHONBEK®**

**TRILLIANE STRANDS**  
**TR0833N- \_\_ \_\_ H**



**T**HIS DESIGN IS THE PROPRIETARY  
TRADE DRESS/TRADE MARK OF  
SWAROVSKI LIGHTING, LTD.

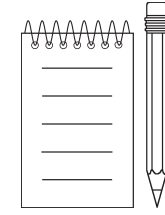
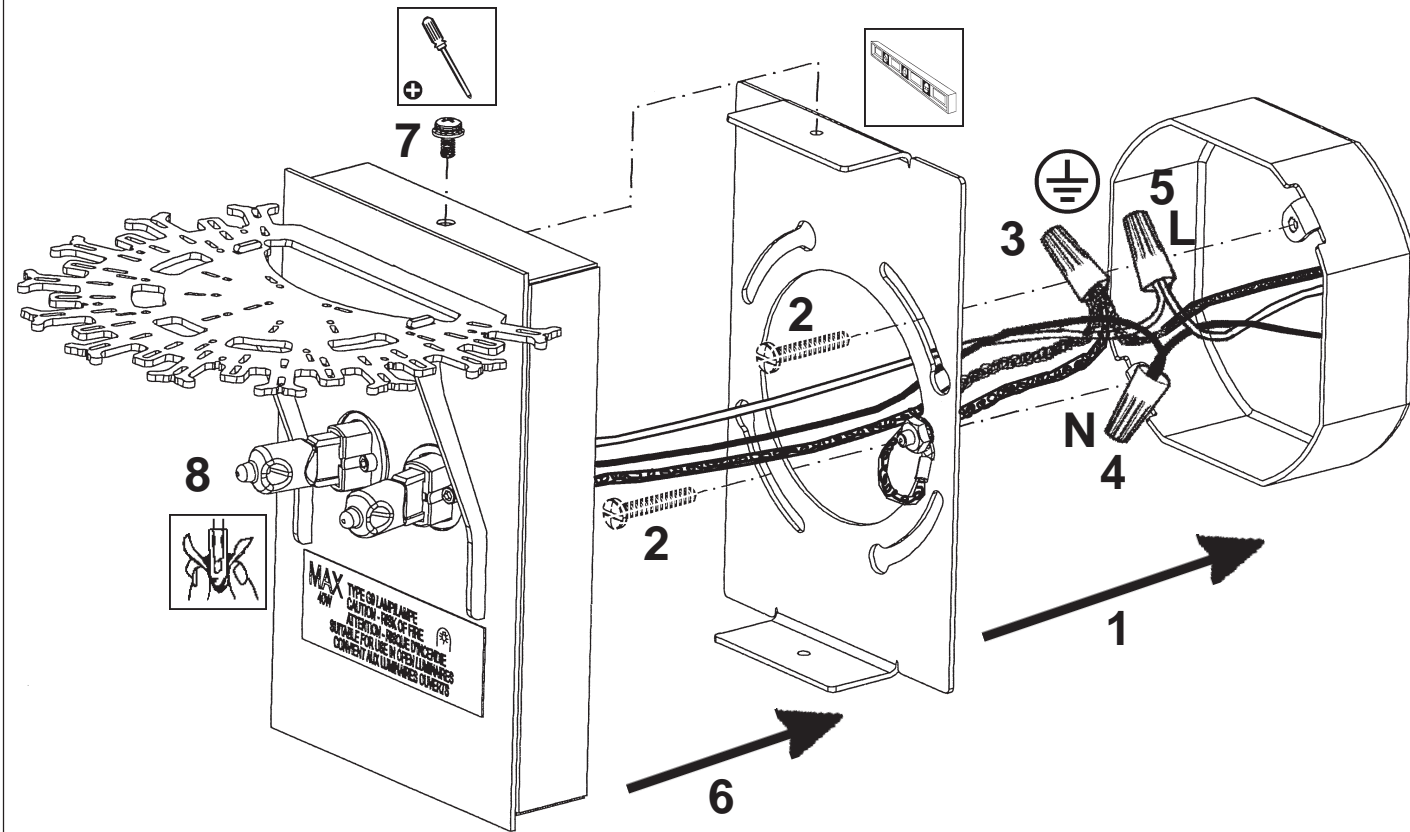
2 Lights  
Length: 10"  
Height: 21"  
Extension: 7-1/2"  
Hanging Weight: 6lbs.

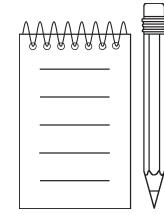
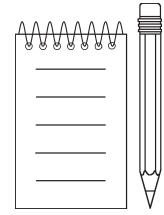


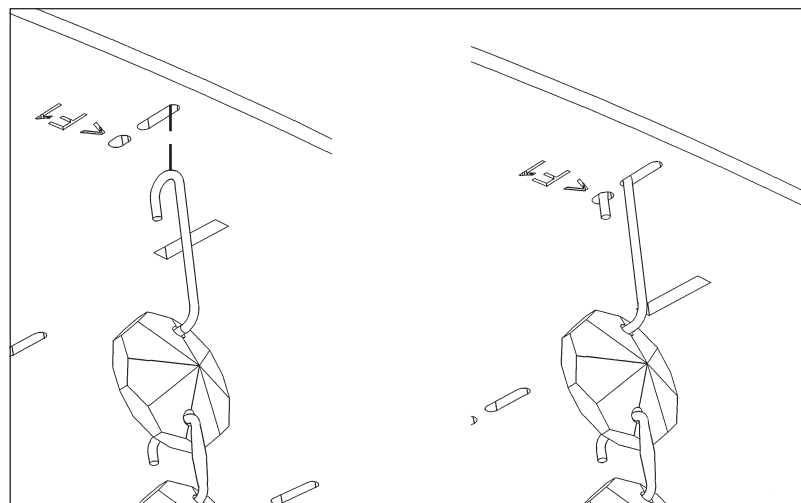
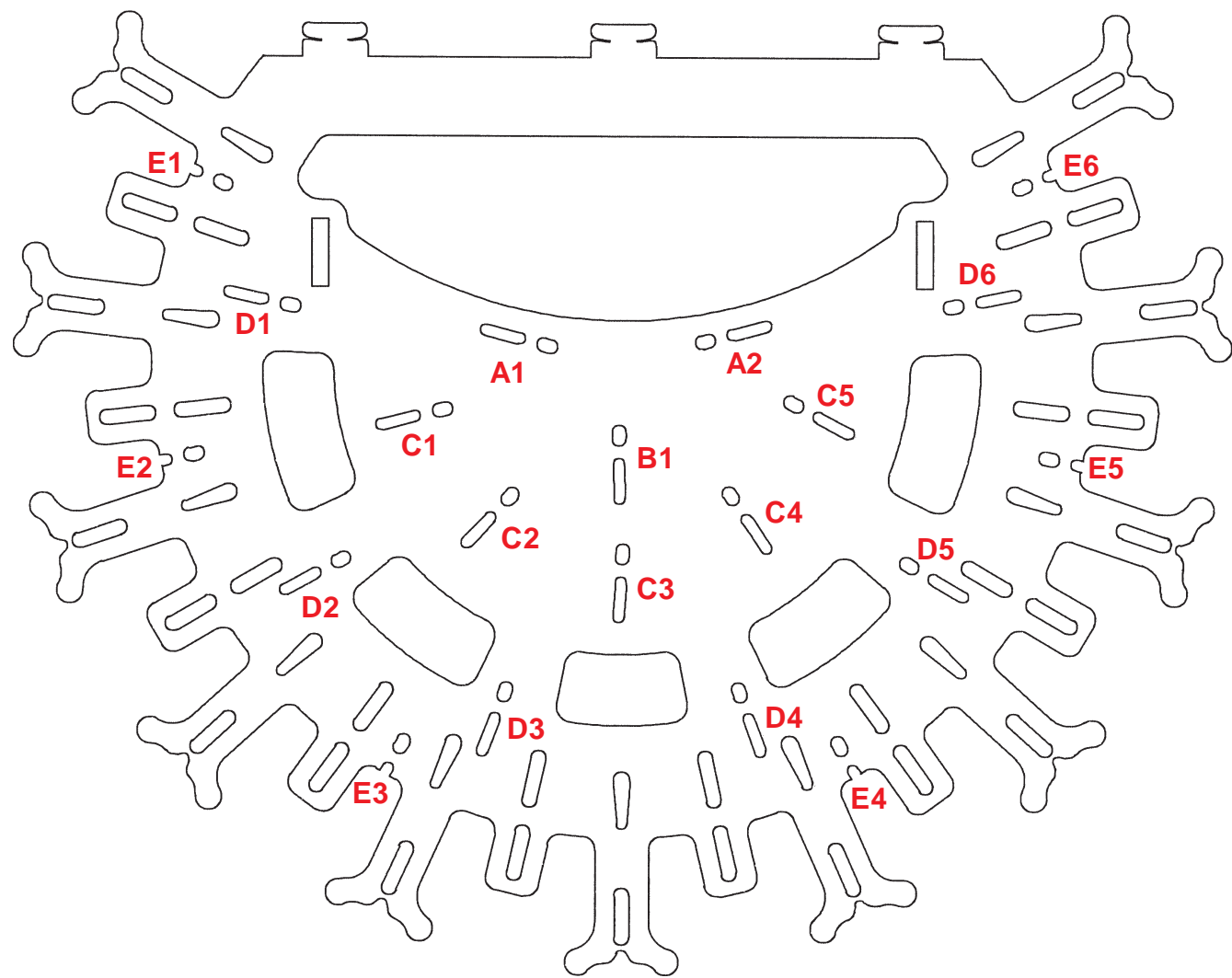
**SCHONBEK®**

MAX <b>40</b> W		110-120 V						

2 X  : G9 40W MAX 







- |           |         |
|-----------|---------|
| <b>9</b>  | A1 - A2 |
| <b>10</b> | B1      |
| <b>11</b> | C1 - C5 |
| <b>12</b> | D1 - D6 |
| <b>13</b> | E1 - E6 |

After hanging all trim, remove labels from crystals. If residue remains, wipe off crystal with a soft, dry cloth.

