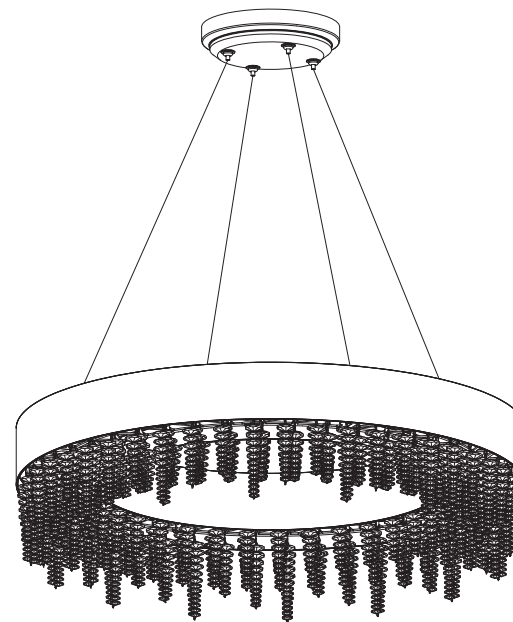


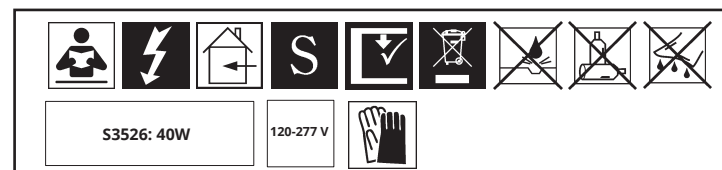
SCHONBEK  
*Signature*<sup>TM</sup>

SOLEIL S3526-\_\_O



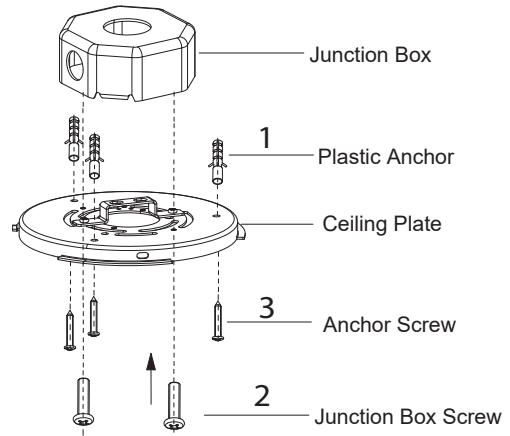
**T**HIS DESIGN IS THE PROPRIETARY  
TRADE DRESS/TRADEMARK OF  
W SCHONBEK LLC.

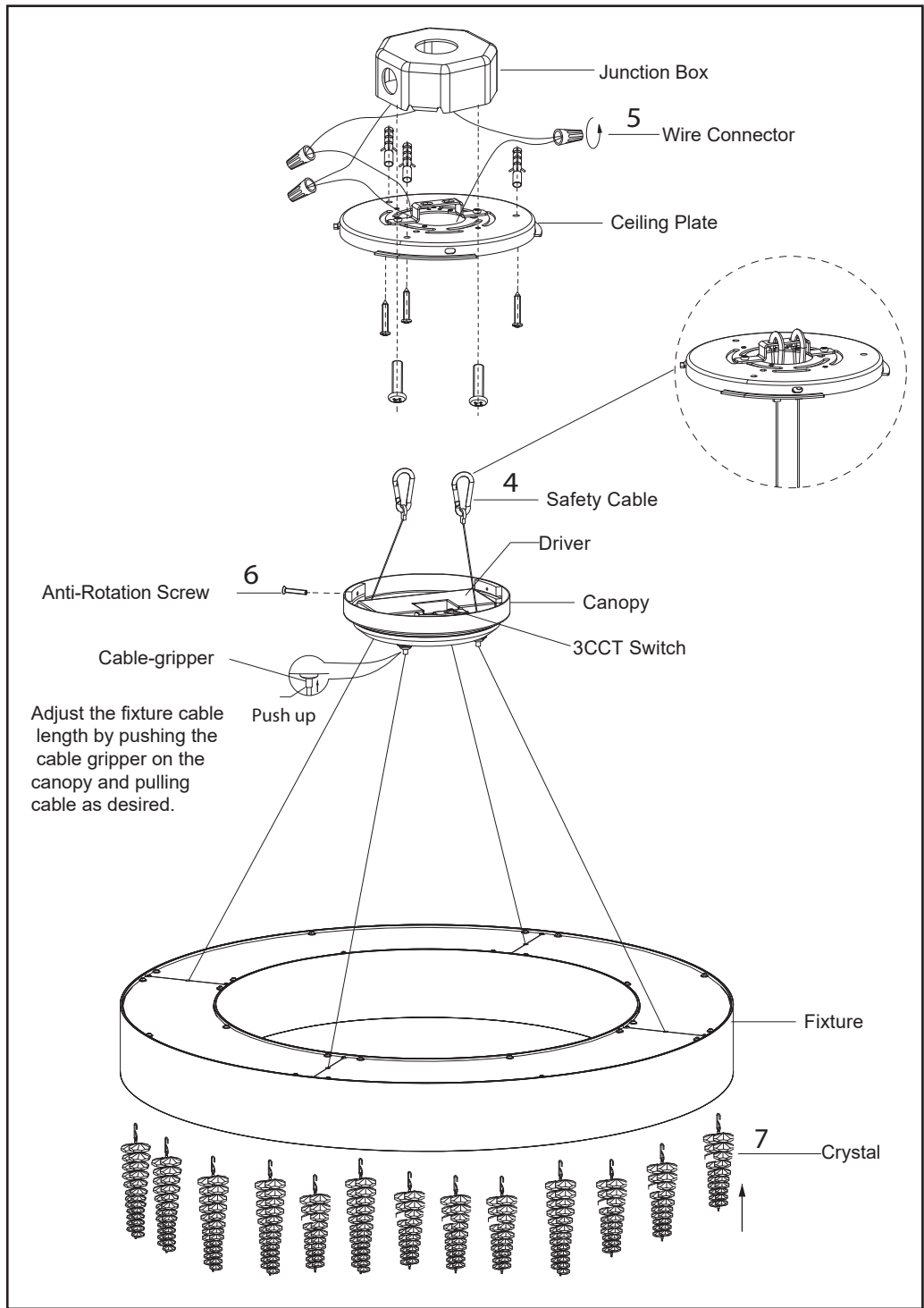
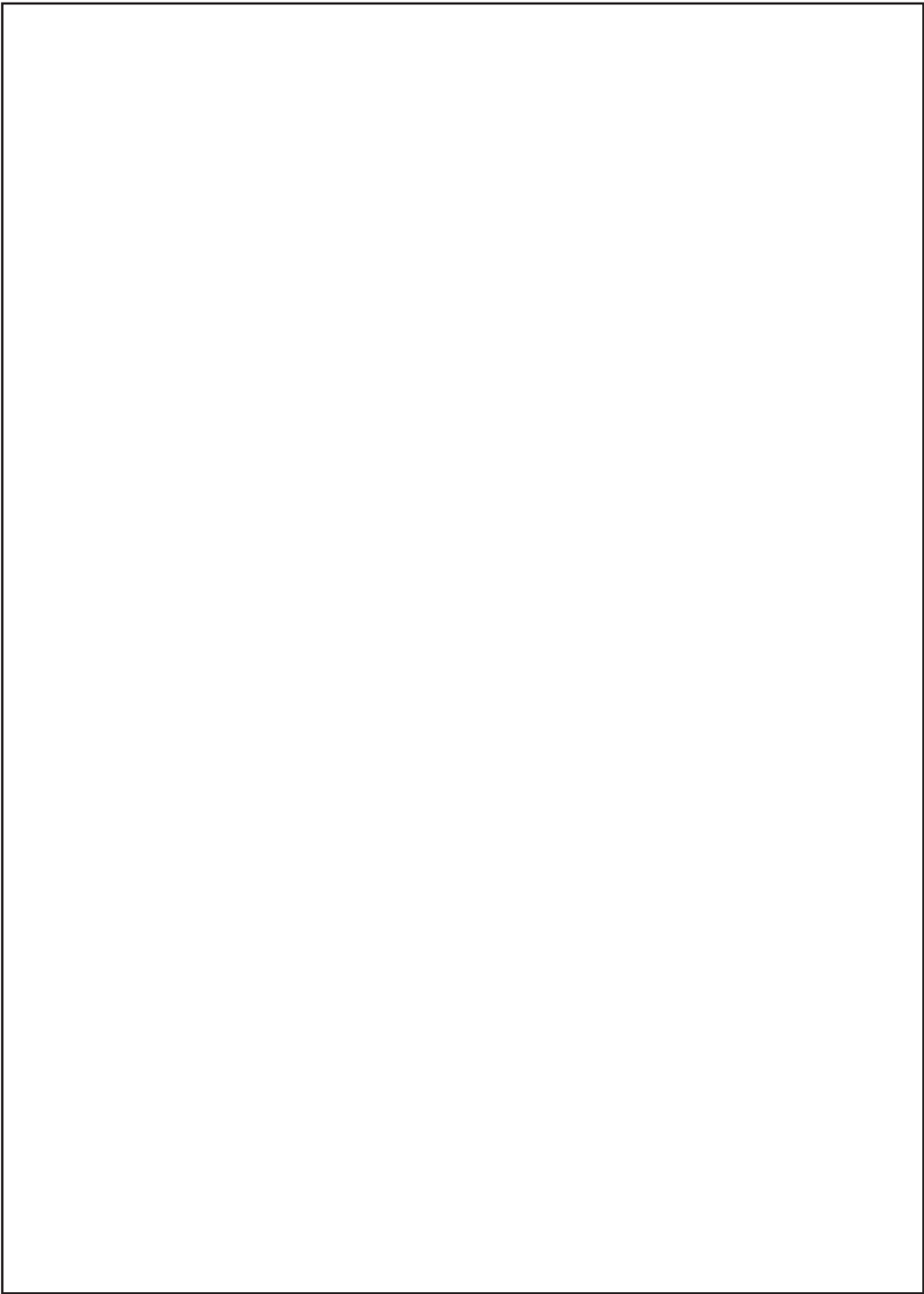
SCHONBEK  
*Signature*<sup>TM</sup>

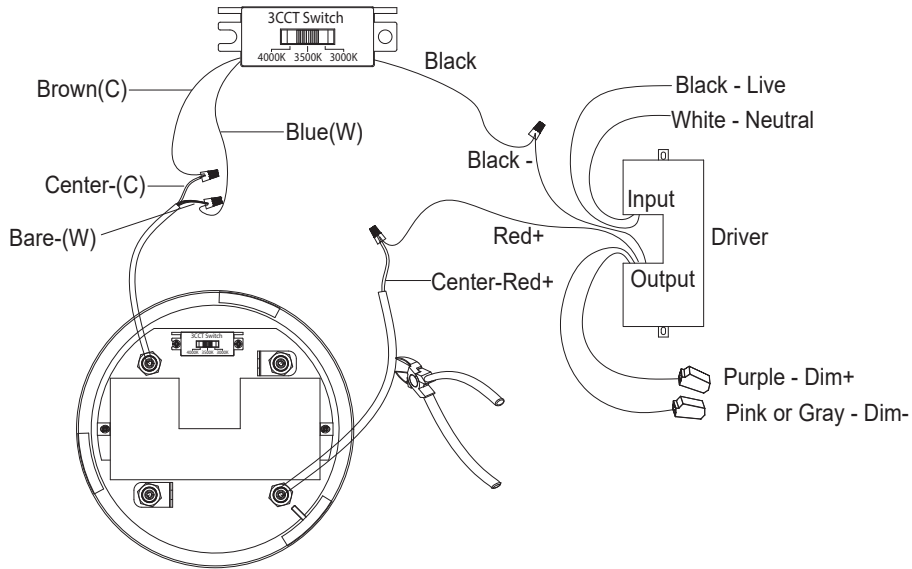
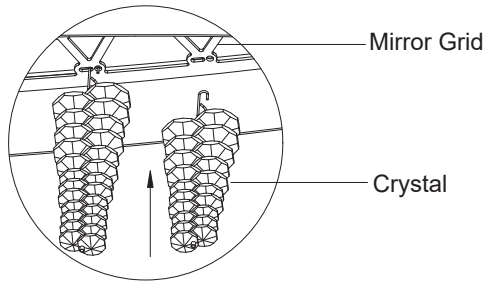


[WWW.SCHONBEK.COM/INSTALLATIONMANUAL](http://WWW.SCHONBEK.COM/INSTALLATIONMANUAL)

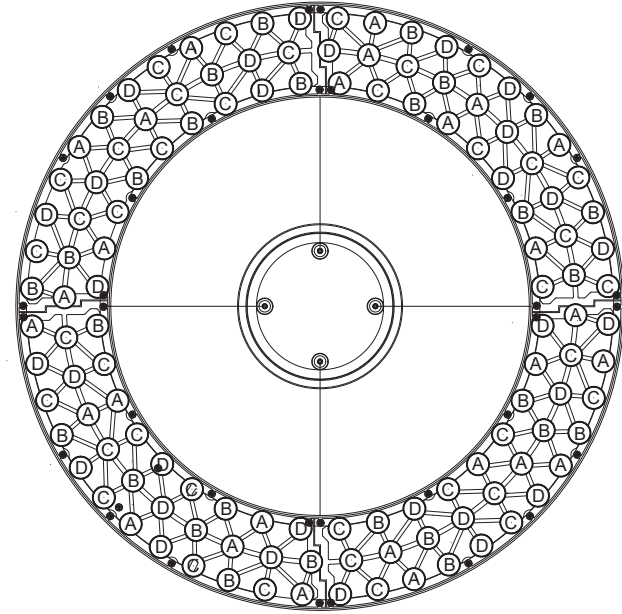
All electrical components must be installed by a licensed electrician in accordance with the National Electric Code and the appropriate local electrical codes.







### Hanging Point Chart



124 Hanging points(Slots)

- (A) : 27pcs
- (B) : 28pcs
- (C) : 39pcs
- (D) : 40pcs

