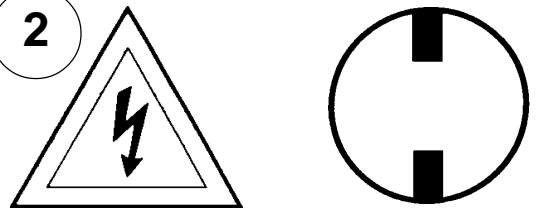


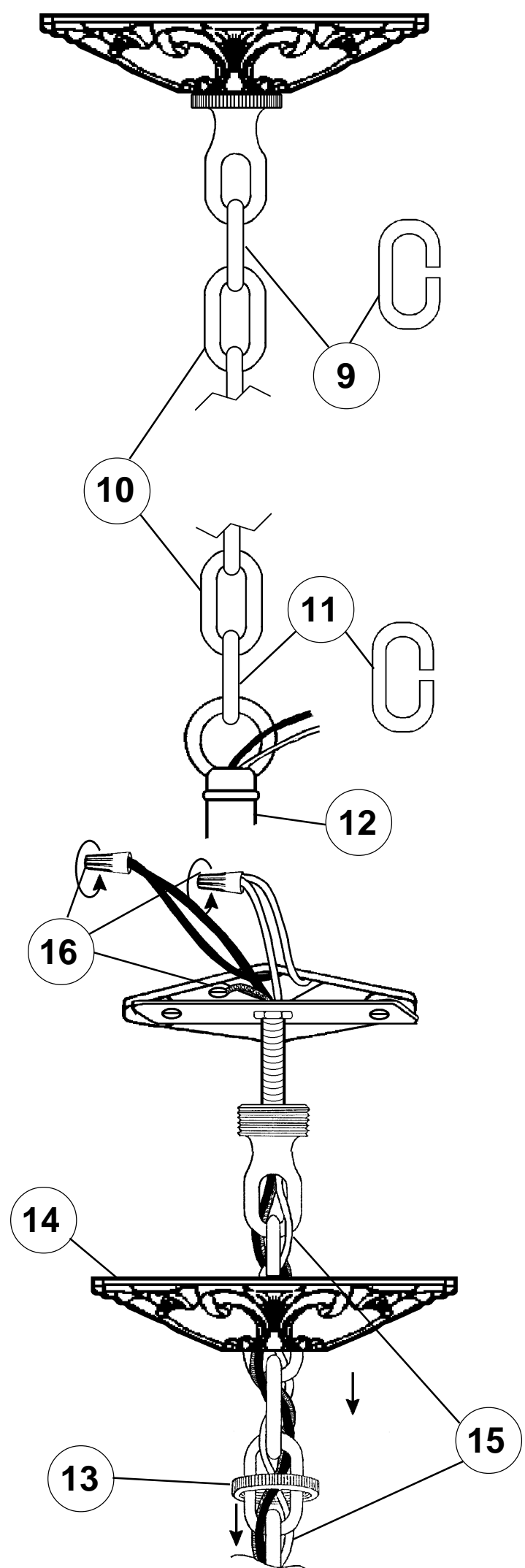
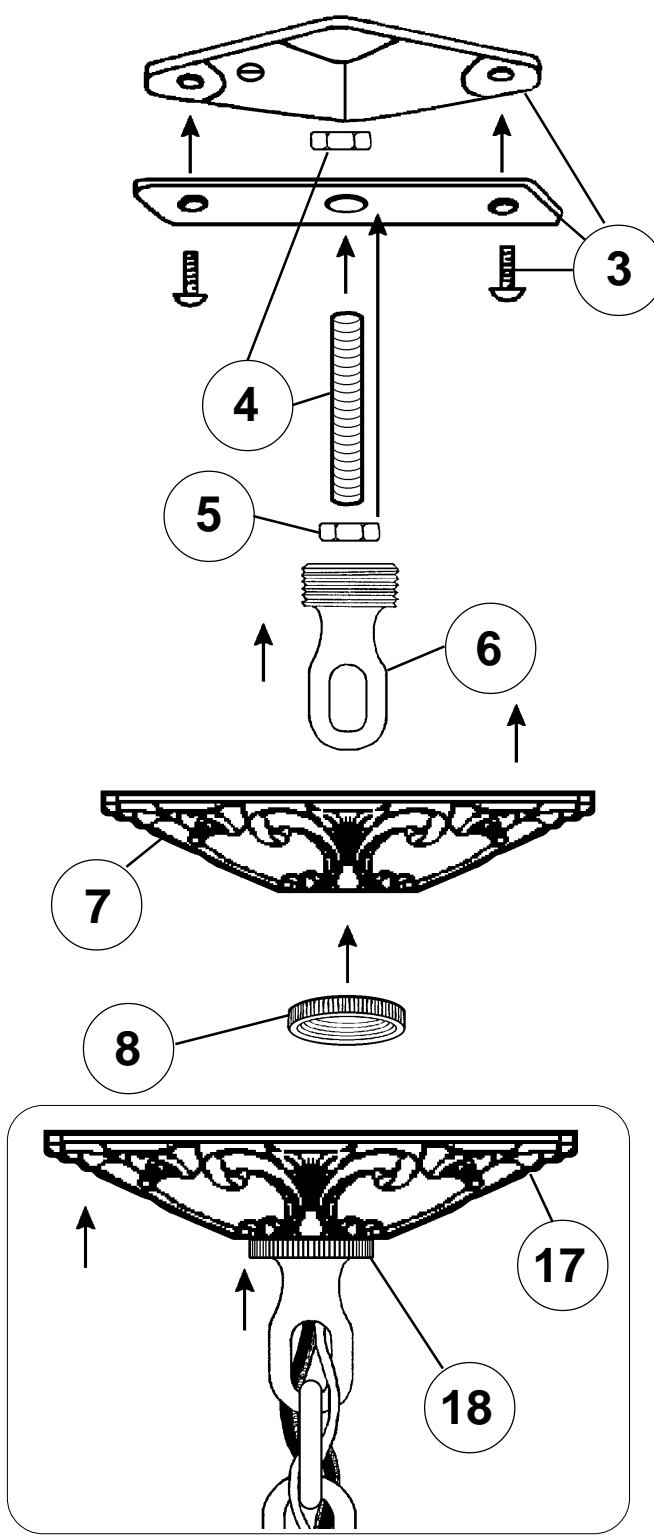
Instructions for electrician
STEPS 2 - 18

WARNING:

2 

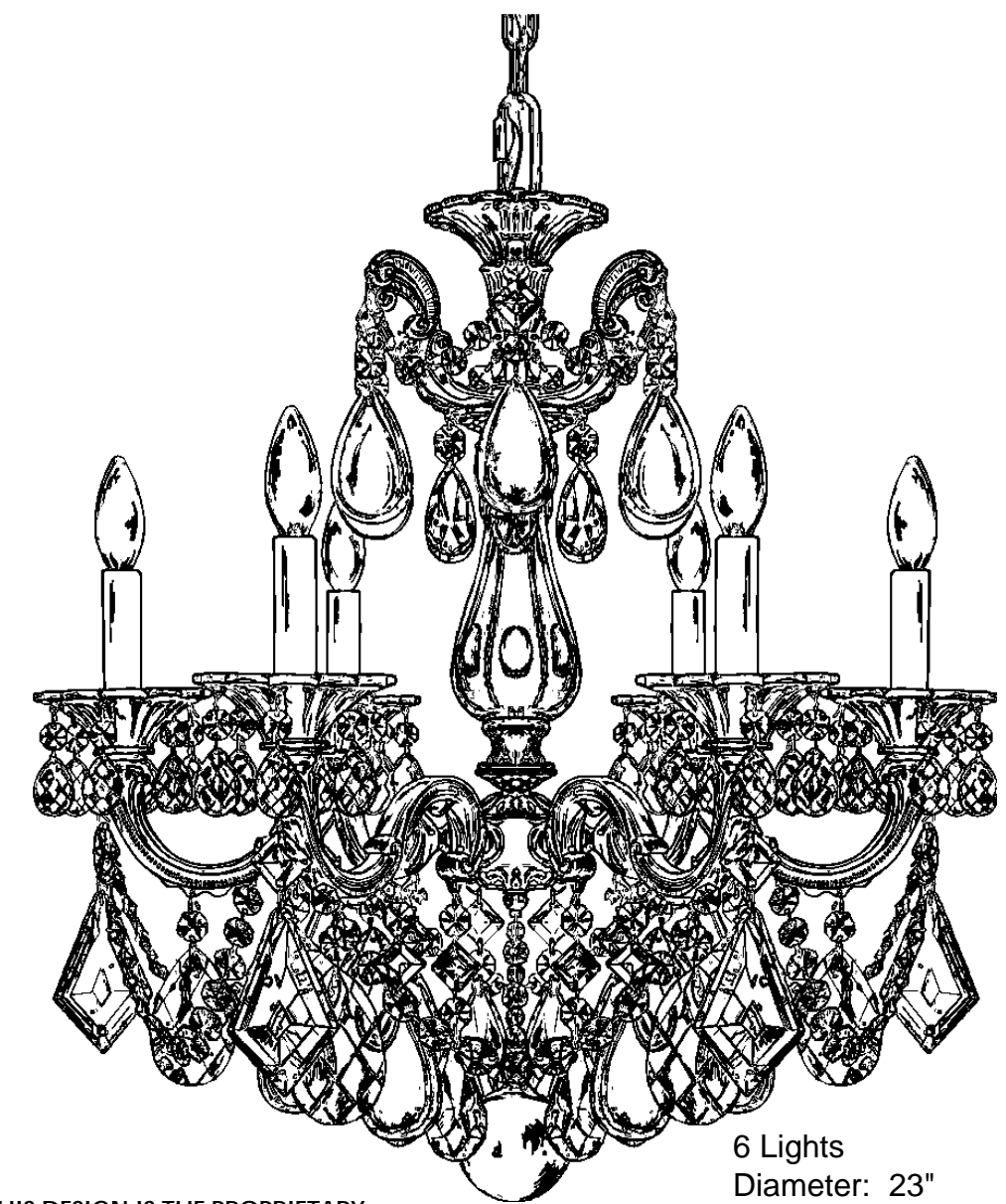
Electrical Danger Turn Power Off

All electrical components must be installed by a licensed electrician in accordance with the National Electric Code and the appropriate local electrical codes.



CHANDELIER 5072- ____ TRIM DIAGRAM

(Finish Option)



6 Lights
Diameter: 23"
Body Length: 25"
Hanging Weight: 20 lbs.

THIS DESIGN IS THE PROPRIETARY TRADE DRESS/TRADEMARK OF SCHONBEK WORLDWIDE LIGHTING INC.

SCHONBEK[®]

See diagram on back page
Follow steps in exact order
Save this trim diagram for future reference

IMPORTANT

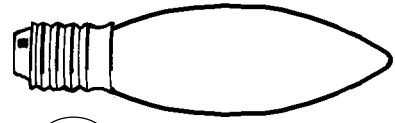
1 Person who opens carton should record the following information for future service.

CODE # _____ Four-digit number on outside of carton.
PACKER # _____ See crystal package label.
ORDER # _____ See crystal package label.



Instructions for crystal trimming

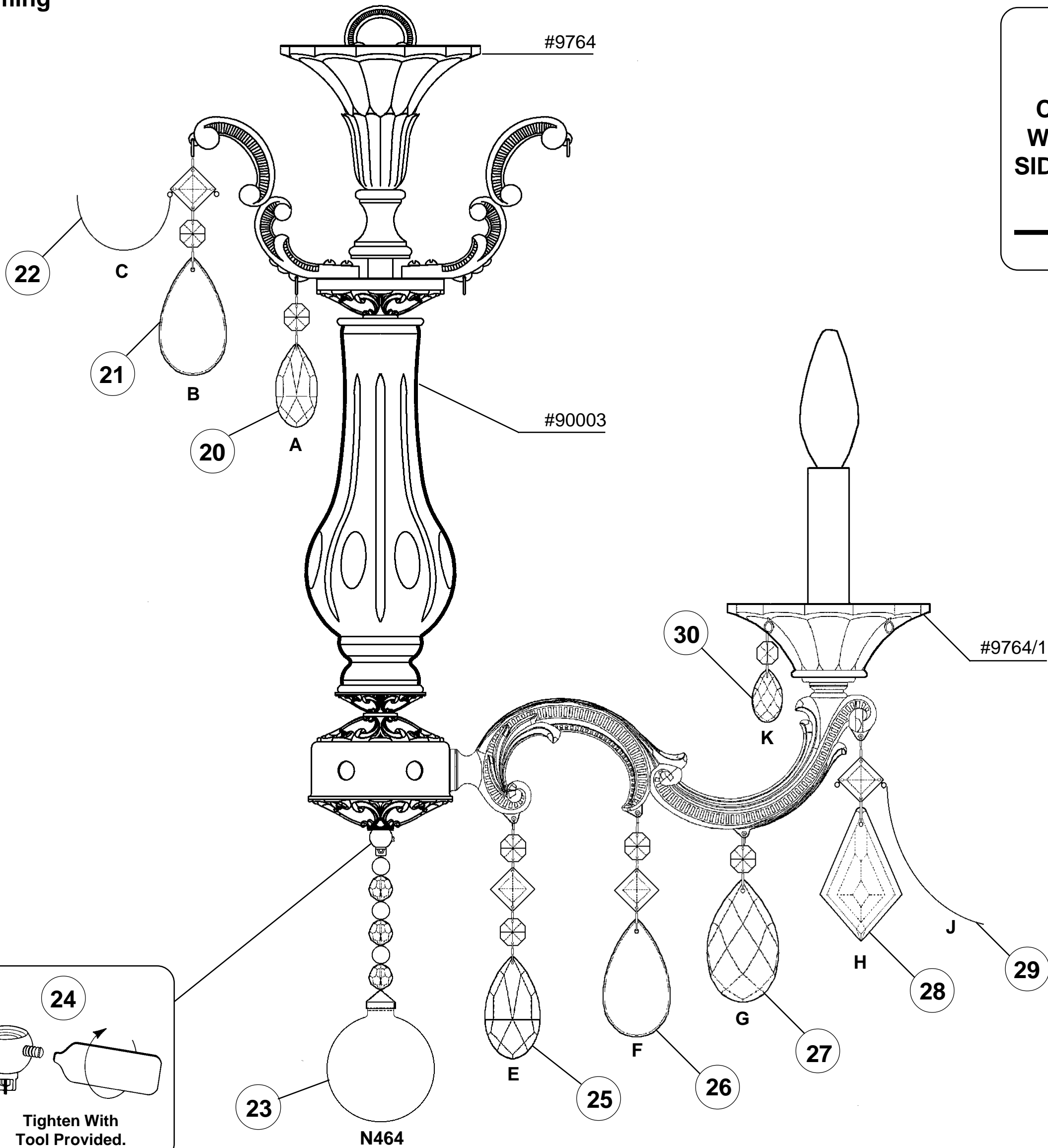
STEPS 19 - 30



19

You will need 6 - C10
25 Watts Recommended
60 Watts Max

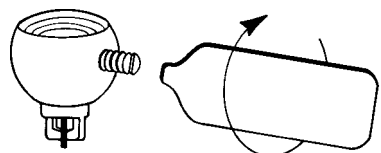
Install bulbs and be
sure to test fixture
BEFORE trimming.



HANG
CRYSTAL
WITH FLAT
SIDE FACING
FRONT



24



Tighten With
Tool Provided.

23

N464

25

26

27

28

29

30

#9764/1