



**SCHONBEK®**

**STERLING 2999- \_\_ \_A**



**T**HIS DESIGN IS THE PROPRIETARY TRADE DRESS/TRADemark OF SWAROVSKILIGHTING, LTD.

5 Lights  
Diameter: 16"  
Body Length: 17-1/2"  
Hanging Weight: 10 lbs.

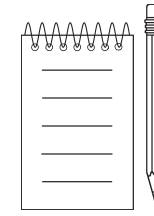
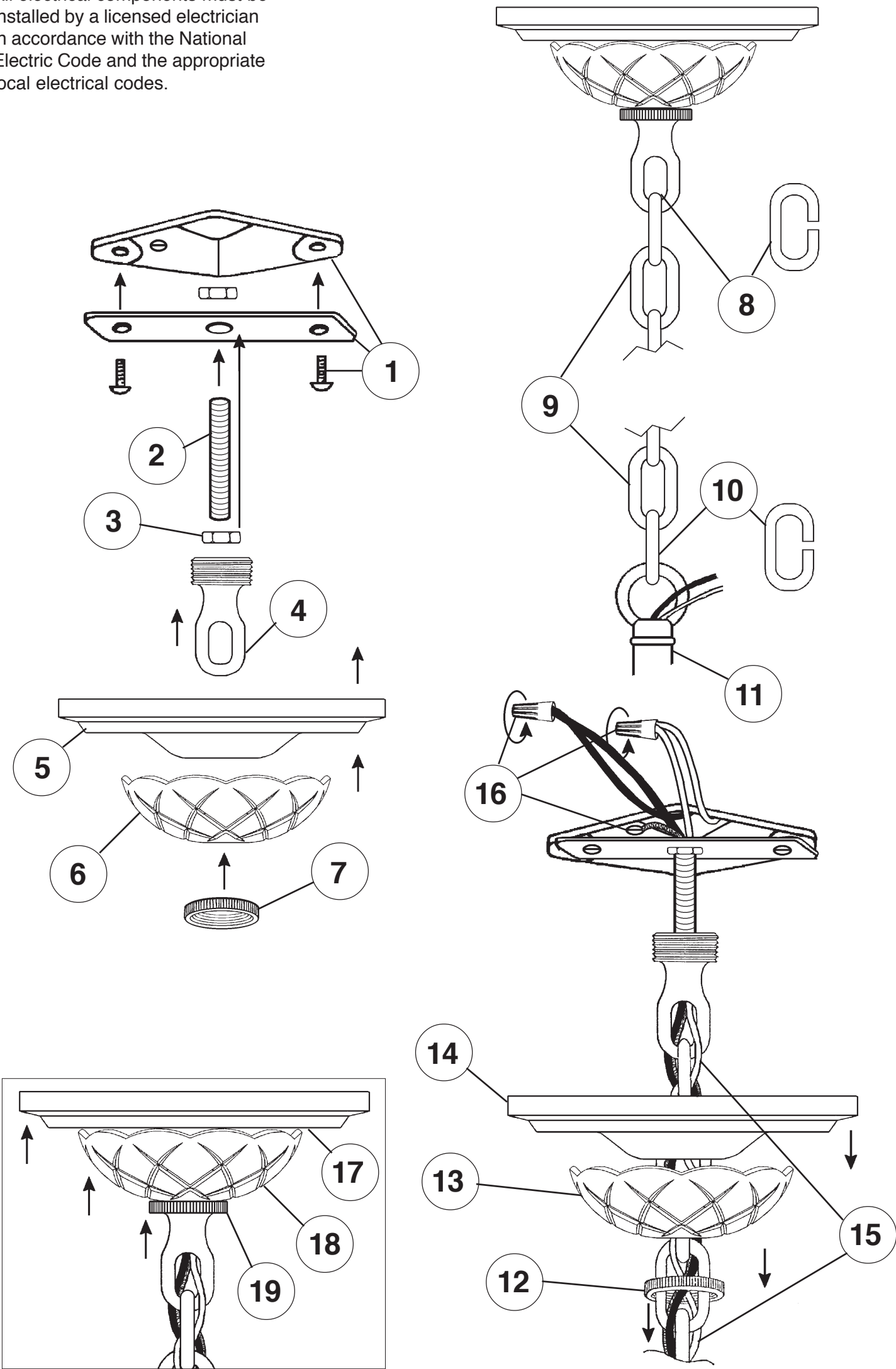


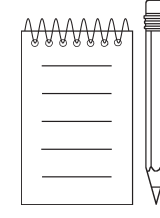
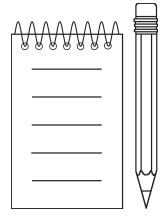
**SCHONBEK®**

MAX <u>60</u> W		110-120 V						

SCHONBEK® is a member of the Swarovski group.

All electrical components must be installed by a licensed electrician in accordance with the National Electric Code and the appropriate local electrical codes.



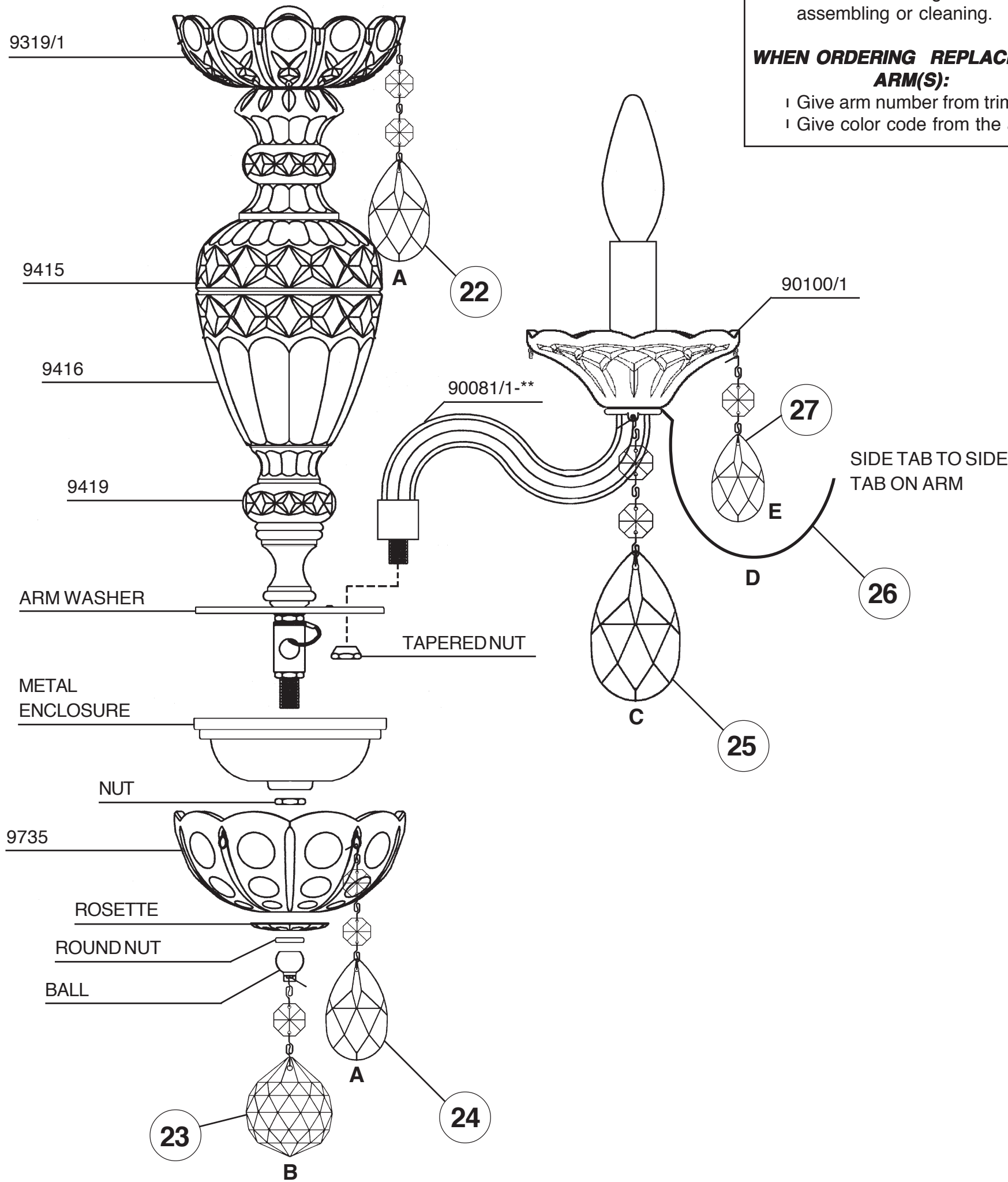




21

You will need 5 - B10  
25 Watts Recommended  
60 Watts Max

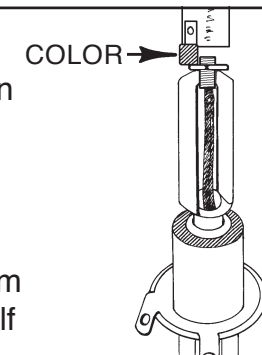
Install bulbs and be sure  
to test fixture BEFORE  
trimming.



**CAUTION:** Glass parts are fragile.  
To avoid breakage use care when  
assembling or cleaning.

**WHEN ORDERING REPLACEMENT  
ARM(S):**

- ! Give arm number from trim diagram
- ! Give color code from the arm itself



20

Install arms into the holes on the washer. Line  
up holes in arms with dimple in washer. Use lock  
tapered nut to secure arms in place.



This end goes up  
against washer.

Connect ground wire in each arm to ground wire in  
center column. NO MORE THAN 5-WIRES PER WIRE  
NUT. Use electrical tape to secure wire nuts.

Connect white arm wires to neutral column wire  
(ribbed or marked is neutral).

Connect black arm wires to the power wire in column.  
Carefully press wires as close as possible to the  
underside of washer.

Install bobeches, bulbs, connect power and test the  
fixture BEFORE attaching glass assembly. If any of  
the bulbs do NOT light - DISCONNECT POWER.

Double check the wire connections.

Install running thread into hex coupling. Attach glass  
assembly with rosette, round nut and ball.

